



TELESCOPING PIPE STAND, 1"–8" PIPE

CATALOG NUMBER

CTS04



CERTIFICATIONS



FEATURES

Supports and fastens low to the ground horizontal pipe runs

Complete out-of-the-box assembly provides a compact solution, simplifying material handling and reducing the amount of storage space required

Designed to minimize fabrication and reduce the installation time of a complete stand by up to 80%

Telescoping post provides fast vertical height adjustment

V-bolt fastener accommodates multiple pipe sizes, reducing inventory by over 65%

Easy "push-to-install" nVent CADDY Rod Lock feature allows the V-bolt to assemble quickly

Integrated weep hole at bottom of stand provides drainage for condensation

Includes four holes for anchoring base to floor

PRODUCT ATTRIBUTES

Material: Steel

Finish: Electrogalvanized

Static Load Safety Factor: 3.5:1

Pipe Size: 1" – 8"

A: 20" – 40 1/2"

B: 6 1/2"

C: 6 1/2"

D: 5"

Hole Size: 9/16"

Static Load: 1,370 lb

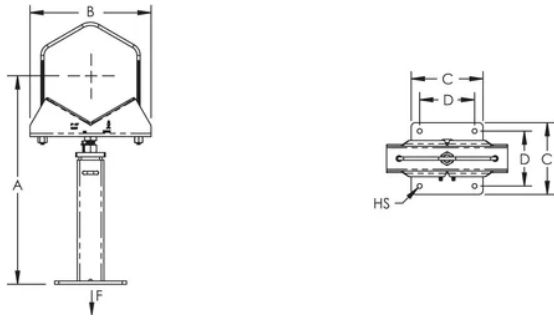
ADDITIONAL PRODUCT DETAILS

When insulating pipe install V-bolt after insulation.

Telescoping pipe stand can accommodate pipes up to 24" when v-bolt is removed. Installer must determine weight of the pipe and proper spacing when supporting larger sizes.

Part Number	With V-Bolt	Pipe Size	A
CTS04	Yes	1"	20" - 36 1/4"
		1 1/4"	20 1/4" - 36 1/2"
		1 1/2"	20 3/8" - 36 5/8"
		2"	20 5/8" - 36 7/8"
		3"	21 1/4" - 37 1/2"
		4"	21 7/8" - 38 1/8"
	No	5"	22 1/2" - 38 3/4"
		6"	23 1/8" - 39 1/4"
		8"	24 1/4" - 40 1/2"
CTS10	Yes	5"	23" - 39 1/4"
		6"	23 1/2" - 40"
		8"	24 3/4" - 41"
		10"	26" - 42 1/4"
	No	12"	27 1/4" - 43 3/8"
		14"	27 7/8" - 44 1/8"
		16"	29 1/8" - 45 1/4"
		18"	30 1/4" - 46 3/8"
		20"	31 3/8" - 47 1/2"
		24"	33 5/8" - 49 7/8"

DIAGRAMS



WARNING

nVent products shall be installed and used only as indicated in nVent's product instruction sheets and training materials. Instruction sheets are available at www.nvent.com and from your nVent customer service representative. Improper installation, misuse, misapplication or other failure to completely follow nVent's instructions and warnings may cause product malfunction, property damage, serious bodily injury and death and/or void your warranty.

North America

+1.800.753.9221
Option 1 – Customer Care
Option 2 – Technical Support

Europe

Netherlands:
+31 800-0200135
France:
+33 800 901 793

Europe

Germany:
800 1890272
Other Countries:
+31 13 5835404

APAC

Shanghai:
+ 86 21 2412 1618/19
Sydney:
+61 2 9751 8500



Our powerful portfolio of brands:
nVent.com CADDY ERICO HOFFMAN RAYCHEM SCHROFF
TRACER