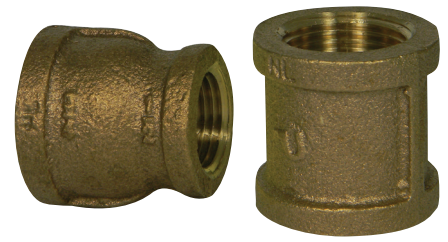
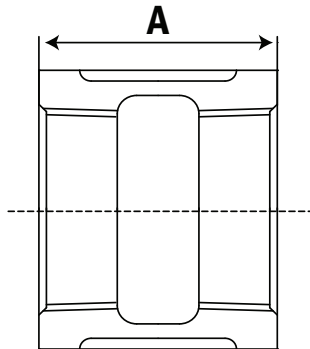


SUBMITTAL DATA SHEET

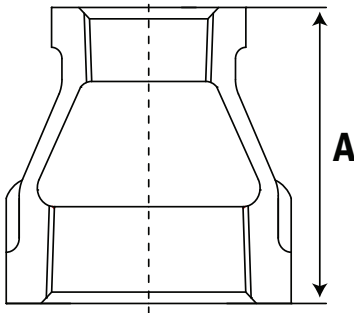
No-Lead 125Lb. Threaded Fitting Bronze Coupling - 72210



A.Y. McDonald Mfg. Co. No-Lead Pipe Fittings & Nipples are constructed from heavy duty bronze and are rated for commercial, industrial and residential applications up to 125 WOG. Threads conform to ANSI B1.20.1 and fitting dimensions comply with ANSI B16.15.



Bronze Coupling - 72210



Bronze Reducing Coupling - 72210

| Item Number | Size | Dimensions A | Carton Qty | Weight Per Pcs. |
|-------------|-------|--------------|------------|-----------------|
| 72210 | 1/8 | 0.80 | 5 | 0.1 |
| 72210 | 1/4 | 0.97 | 5 | 0.1 |
| 72210 | 3/8 | 1.05 | 5 | 0.1 |
| 72210 | 1/2 | 1.29 | 5 | 0.1 |
| 72210 | 3/4 | 1.43 | 5 | 0.2 |
| 72210 | 1 | 1.68 | 5 | 0.4 |
| 72210 | 1 1/4 | 1.86 | 5 | 0.6 |
| 72210 | 1 1/2 | 1.92 | 5 | 0.8 |
| 72210 | 2 | 2.20 | 5 | 1.3 |
| 72210 | 2 1/2 | 2.88 | 1 | 2.6 |
| 72210 | 3 | 3.18 | 1 | 3.7 |
| 72210 | 4 | 3.69 | 1 | 5.8 |

| Item Number | Size | Dimensions A | Carton Qty | Weight Per Pcs. |
|-------------|---------------|--------------|------------|-----------------|
| 72210 | 1/4 x 1/8 | 0.88 | 5 | 0.08 |
| 72210 | 3/8 x 1/8 | 0.92 | 5 | 0.1 |
| 72210 | 3/8 x 1/4 | 1.01 | 5 | 0.1 |
| 72210 | 1/2 x 1/4 | 1.13 | 5 | 0.1 |
| 72210 | 1/2 x 3/8 | 1.17 | 5 | 0.1 |
| 72210 | 3/4 x 1/4 | 1.24 | 5 | 0.2 |
| 72210 | 3/4 x 3/8 | 1.24 | 5 | 0.2 |
| 72210 | 3/4 x 1/2 | 1.36 | 5 | 0.2 |
| 72210 | 1 x 1/2 | 1.49 | 5 | 0.3 |
| 72210 | 1 x 3/4 | 1.56 | 5 | 0.4 |
| 72210 | 1 1/4 x 3/4 | 1.65 | 5 | 0.6 |
| 72210 | 1 1/4 x 1 | 1.77 | 5 | 0.5 |
| 72210 | 1 1/2 x 1/2 | 1.8 | 5 | 0.7 |
| 72210 | 1 1/2 x 3/4 | 1.8 | 5 | 0.8 |
| 72210 | 1 1/2 x 1 | 1.8 | 5 | 0.6 |
| 72210 | 1 1/2 x 1 1/4 | 1.89 | 5 | 0.9 |
| 72210 | 2 x 3/4 | 2.03 | 5 | 1.2 |
| 72210 | 2 x 1 | 2.03 | 5 | 0.9 |
| 72210 | 2 x 1 1/4 | 2.03 | 5 | 1.3 |
| 72210 | 2 x 1 1/2 | 2.06 | 5 | 1.0 |
| 72210 | 2 1/2 x 1 1/2 | 3.25 | 5 | 2.2 |
| 72210 | 2 1/2 x 2 | 3.25 | 1 | 2.4 |
| 72210 | 3 x 2 | 3.69 | 1 | 3.6 |
| 72210 | 3 x 2 1/2 | 3.69 | 1 | 3.9 |

SUBMITTAL INFORMATION

- **Standards**
AWWA C800, ASTM B584 UNS Alloy C89833
(Casting), ASME B16.15 (Dimensions),
ASME B1.20.1 (Threads)
- **Markings** - Manufacturer's logo, Size, Country of Origin, "NL"
- **Materials** - No-Lead Brass
- NSF / ANSI 61-4 & NSF / ANSI 372

NO-LEAD: The weighted average of the wetted surface of this no-lead product contacted by consumable water contains less than one quarter of one percent (0.25%) lead.



A.Y. McDonald Mfg. Co.
P.O. Box 508
Dubuque, IA 52004-0508

Toll Free: 1-800-292-2737
Fax: 1-800-832-9296
Hours: 7:00 a.m. - 5:00 p.m., CST

sales@aymcdonald.com
www.aymcdonald.com

A.Y. McDonald considers the information on this assembly drawing correct when published. Item and option availability, including specifications, are subject to change without notice.

Submitted by: