



## 13-Gallon Step Can K-20940

### Features

- Designed to fit any brand of 13-gallon trash bag.
- Fingerprint-resistant finish stays cleaner longer.
- Hands-free operation with durable metal foot pedal.
- Raised liner and locking rim for easy bag changes.
- Quiet-close lid closes gently and silently.
- Space-saving profile fits snugly against wall or cabinets.
- Hinge design protects wall from scuffs.
- Removable plastic liner is easy to clean.
- For regular cleaning, use a damp microfiber cloth. Do not use cleaners or abrasives.

### Material

- Available in stainless steel or black stainless steel.

### Recommended Products/Accessories

K-23729 Stainless steel cleaner



### Codes/Standards




None Applicable

### KOHLER® Step Trash Can Ten-Year Limited Warranty

See website for detailed warranty information.

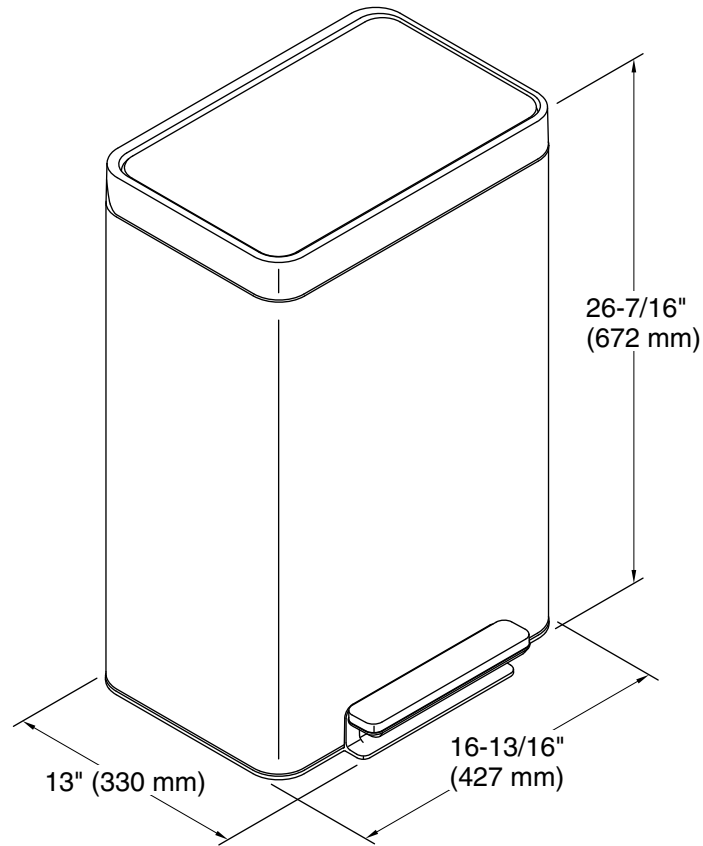
### Available Colors/Finishes

*Color tiles intended for reference only.*

Color	Code	Description
	ST	Stainless Steel
	BST	Black Stainless
	STW	White and Stainless Steel



13-Gallon Step Can  
K-20940



**Technical Information**

All product dimensions are nominal.

Material: Stainless Steel