

PROLINE® DIRECT VENT COMMERCIAL-GRADE RESIDENTIAL

DIRECT VENT DESIGN

- One-pipe, dual-channel closed system draws all make-up air from outside the home, eliminating problems caused by insufficient indoor ventilation and is FVIR compliant. Horizontal air intake and venting on all models up to 80 inches from outside wall with no electrical power needed.

INTELLIGENT CONTROL LOGIC

- The internal microprocessor provides enhanced operating parameters and tighter differentials for precise sensing and faster heating response to optimize performance.
- Uses a thermopile to generate the power needed to operate the electronic gas control without requiring an external power source.
- The electronic gas control incorporates an LED status indicator that monitors system operation and service diagnostics.

GREEN CHOICE® GAS BURNER

- Patented eco-friendly design reduces NOx emissions up to 33% and complies with low emissions of less than 40 ng/J.

DYNACLEAN™ DIFFUSER DIP TUBE

- Helps reduce lime and sediment buildup and maximizes hot water output. Made from long-lasting PEX cross-linked polymer.

COREGARD™ ANODE ROD

- Our anode rods have a stainless steel core that extends the life of the anode rod allowing superior tank protection far longer than standard anode rods.

PUSH BUTTON PIEZO IGNITOR

- Makes lighting pilot fast and easy with one hand push button spark ignition.

HEAT TRAP NIPPLES

- Factory-installed for faster installation

ENHANCED-FLOW BRASS DRAIN VALVE

- Our residential water heaters have a solid brass, tamper resistant, enhanced-flow, ball type, drain valve.
- Uses a standard female hose fitting that allows for fast and easy draining during maintenance.
- Designed for easy operation, this valve includes an integral screwdriver slot that features a ¼ turn (open/close) radius, which not only permits full straight-through water flow but also a quick and positive shut off.

CSA CERTIFIED AND ASME RATED T&P RELIEF VALVE

CODE COMPLIANCE

- Meets UBC, CEC and HUD National Codes.
- Meets the thermal efficiency and standby loss requirements of the U.S. Department of Energy and current edition of ASHRAE/IES 90.1
- Complies with the Federal Energy Conservation Standards effective April 16, 2015, in accordance with the Energy Policy and Conservation Act (EPCA), as amended.

DESIGN-LISTED BY CSA INTERNATIONAL

- Certified at 300 psi test pressure and 150 psi working pressure. Listed according to ANSI Z21.10.1-CSA 4.1 standards governing storage tank-type gas water heaters.

6-YEAR LIMITED TANK AND PARTS WARRANTY

- For complete information, consult written warranty or go to hotwater.com.



Model Number	Nominal Capacity	Rated Storage Volume	First Hour Rating (Gallons)	UEF	Input BTU Per Hour	Recovery 90°F Rise Gallon Per Hour	Dimensions in Inches								Vent Outlet	Approx. Shipping Weight (lbs)
							A	B	C	D	E	F	*G	H		
GDV-40	40	39	64	0.60	38,000	41	64	49-3/4	22	13-1/4	15-1/4	42-1/2	29	15-1/4	Co-Axial	178
GDV-50	50	48	77	0.66	40,000	43	73	59	22	13-1/4	15-1/4	51-3/4	29	15-1/4	Co-Axial	200
GDVT-50	50	48	83	0.65	47,000	51	74	60	22	13-1/4	15-1/4	52-3/4	29	15-1/4	Co-Axial	215

Dual-channel system has 3" vent pipe inside 6" air intake pipe, for the 40 and 50-gallon models.
All models have 2" foam cavity.
Water connection is 3/4" male on 8" center.
*Allow 29" for front to back dimension for gas control and air intake pipe at the rear of the heater.
No option available for top T&P.

All models are available in propane (LP) gas (series 301).
All models are certified from sea level to 7,700 ft. elevation.
All models available with side connections. Add "L" to the model number, example GDV-40L.
Dimensions and specifications subject to change without notice in accordance with our policy of continuous product improvement.

IMPORTANT! VENT INSTALLATION AND TERMINATION REQUIREMENTS

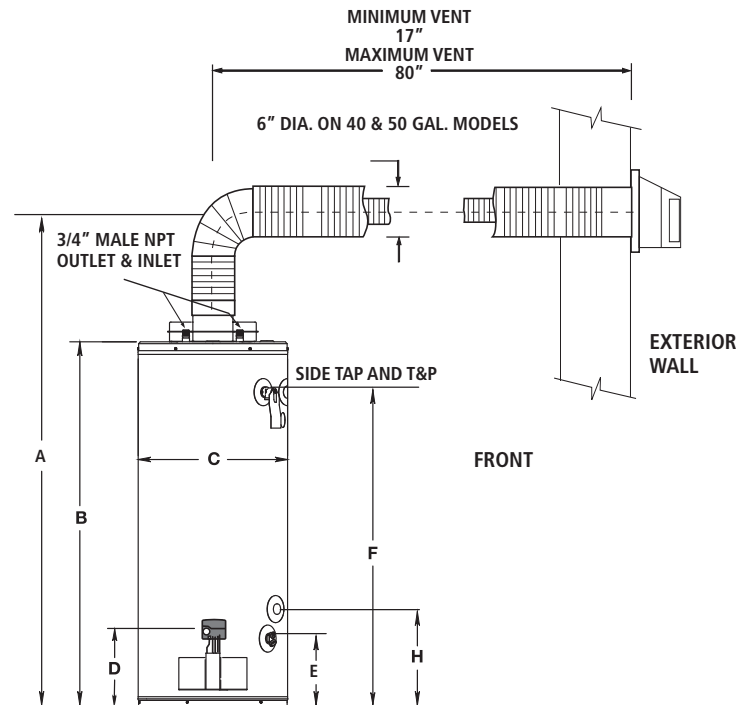
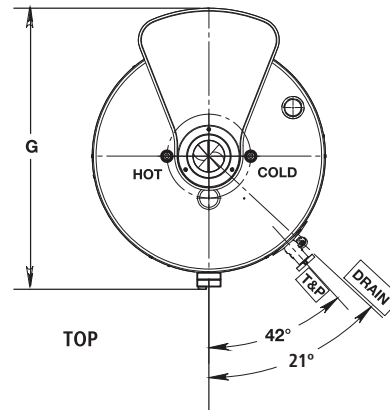
- Maximum horizontal vent distance is 80" to the outside of exterior wall.
- Maximum vertical vent distance is 72" above heater before 90 degree turn through exterior wall.
- Minimum horizontal vent distance is 17" to outside of exterior wall.
- Vent pipes may be trimmed (cut) for short vent installations.
- The recommended installation height for the vent termination is dimension "A" in the above table. The minimum allowable height (center line of termination opening) is 60 3/4" for the 40-gallon model, 69 1/2" for the 50-gallon 40,000 BTU input model, 70 1/2" for the 50-gallon model, 47,000 BTU input model.

VENT RESTRICTOR PLATE:

- The vent restrictor plate is required for short horizontal vent runs less than 30" horizontal and for vent runs when the termination's height is greater than 48" above the heater. The only time the restrictor is not required is for horizontal runs greater than 30" in length with the termination less (lower) than 48" above the heater. See installation instructions for complete details.

OFFSET VENT ARRANGEMENT:

- The vent run may have one (1) 90 degree horizontal turn prior to terminating through the exterior wall. See installation instructions for complete details.
- Vent termination clearance hole through the exterior wall should be approximately 7" diameter.
- Snow accumulation and drifting should be considered when locating the termination.
- An optional wire grill vent cap protector is available through the parts department (part number 100111343).
- See the installation manual for complete installation and venting requirements.



For technical information call 800-527-1953. A. O. Smith Corporation reserves the right to make product changes or improvements without prior notice.