

Rinnai
HEATING SOLUTIONS

endless

heating solutions



HEATING SOLUTIONS FOR DEALERS AND INSTALLERS



endless
quality and support

Why partner with Rinnai?

HELPING YOU GROW YOUR BUSINESS

- Opportunity to receive lead referrals from Rinnai
- Convenient flexible consumer financing options available
- Listing on our dealer locator
- Even more benefits as part of our Advanced Comfort Expert program

TRAINING

- Access to a complete library of online courses through Rinnai's Learning Management System
- Hands-on factory training available in Peachtree City, Georgia, and with local experts
- Field training available through extensive network of manufacturer reps and Rinnai training experts

SUPPORT

- Use of Rinnai branded advertising materials
- 24/7/365 technical support for professionals
- Share of voice leadership from national advertising
- Support offered to your customers

TABLE OF CONTENTS

RINNAI® INNOVATION	2
CONDENSING BOILERS.....	4
CUSTOM SOLUTIONS	8
CHARTS/SPECIFICATIONS.....	10
ACCESSORIES	14
VENTING PARTS.....	16
DIRECT VENT WALL FURNACES	18
VENT-FREE CONVECTORS	24
SUPPORT	29

endless

heating innovation



Better, smarter home heating

At Rinnai, we design smarter home heating products that deliver superior comfort, convenience and reliability. Our solutions truly enhance people's lives — from the efficiency of our Condensing Boilers to the small-space warmth of our Vent-Free Fan Convectors and EnergySaver® Direct Vent Wall Furnaces. Whether it's whole-house comfort, supplemental heating for nearly any room, or a single, energy-efficient source for home and water heating, you'll find that Rinnai offers a better solution.

Rinnai Condensing Boilers deliver more heating in less space

Rinnai's Condensing Boilers are both economical and reliable. They can provide higher volumes of hot water and more efficient home heating in much less space compared to traditional boilers.

Rinnai EnergySaver® Direct Vent Wall Furnaces put owners in control

As a cost-effective heating solution for nearly any living space, or even a whole home, Rinnai EnergySaver® Direct Vent Wall Furnaces' advanced heating technology puts owners in control of their comfort, completely and efficiently.

Rinnai Vent-Free Fan Convectors for year-round heating

For a room or area that needs extra heating, Rinnai Vent-Free Fan Convectors are the perfect solution. They're simple to install, thanks to their vent-free design. They're also designed to be safe and easy to operate. Now any space can have extremely efficient comfort.



CONDENSING BOILERS

Smarter is better

Whether it's consistent heat throughout a home, pleasant humidity levels, or continuous hot water, Rinnai's line of Condensing Boilers keeps comfort coming with **exceptional performance and efficiency**. Our advanced smart system technology even includes an outdoor reset sensor that continually adjusts to changing temperatures.

Quality from the inside out

- Proprietary self-cleaning stainless steel heat exchanger is backed by a 12-year warranty*
- OSS (one-side sealed) construction maintains integrity during heat exchanger expansion and contraction
- E Series boiler pump maximizes performance of boiler to match system requirements



Efficient warmth

- Conventional heating systems waste energy through heat loss vented into the atmosphere
- Rinnai Condensing Gas Boilers recover heat energy discharged into the flue and return it to the heat exchanger for maximum efficiency
- One of the highest AFUEs (Annual Fuel Utilization Efficiency) in the industry
- Fully modulating boiler pump uses only as much energy as needed for even more savings

Easy to install

- Wide range of options for existing homes and new construction
- Each model offers reduced space requirements compared to traditional boilers
- Multiple venting options for installation in a variety of locations
- System arrives complete with less assembly needed

- Condensing boilers ship with factory-assembled low-loss header and pre-programmed outdoor reset sensors (factory assembled kit is included with Q Series model)



E Series

An economical solution for home heating

These compact, wall-mounted designs can be easily installed as a retro-fit application to replace traditional, less efficient boilers. Our E Series Combi models have the power to deliver whole-house heating and domestic hot water for homes with one to two bathrooms.



Q Series

Compact, easy-to-install solution for residential and light commercial

Unparalleled comfort and efficiency along with ease of installation and serviceability make the Q Series Boilers ideal for use in homes or light commercial applications. Q Series boilers offer whole-house heating or heating plus hot water.



Q Premier Series

All-in-one residential heating and domestic hot water







The perfect option for replacement or new construction, this complete, fully assembled space-saving floor-standing solution features a boiler and tank all in one.



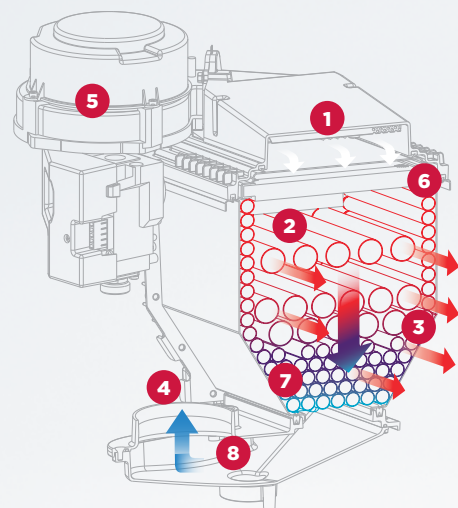
*Visit rinnai.us for complete warranty details.

E SERIES CONDENSING BOILERS

Q SERIES CONDENSING BOILERS

	E SERIES HEAT ONLY	E SERIES COMBI	Q SERIES HEAT ONLY		Q SERIES COMBI	Q PREMIER SERIES COMBI
						
MODELS	E60SR, E85SR, E110SR	E50CR, E75CR, E110CR	Q85S, Q130S	Q175S, Q205S	Q175C	QP130
MAX INPUT (BTU/HR)	60,000 - 110,000	50,000 - 110,000	85,000 - 130,000	175,000 - 205,000	175,000	130,000
FULLY MODULATING BOILER CIRCULATION PUMP	✓	✓	✓	✓	✓	✓
SELF-CLEANING STAINLESS STEEL HEAT EXCHANGER	✓	✓	✓	✓	✓	✓
APPROVED VENTING MATERIAL	POLYPROPYLENE, STAINLESS STEEL, PVC, CPVC			POLYPROPYLENE, STAINLESS STEEL, PVC, CPVC		
OUTDOOR RESET SENSOR INCLUDED	✓	✓	✓	✓	✓	✓
PLUG-AND-PLAY WIRING	✓	✓	✓	✓	✓	✓
ON-BOARD, 6-BUTTON CONTROL	✓	✓	✓	✓	✓	✓
QUARTER-TURN LOCKING PINS	✓	✓	✓	✓	✓	✓
COMMON COMPONENTS AND SENSORS	✓	✓	✓	✓	✓	✓
STORAGE CAPACITY						✓
INTEGRATED LOW-LOSS HEADER AND EXPANSION TANK						✓
THERMOSTATIC MIXING VALVE INCLUDED					Q175C ONLY	
RESIDENTIAL	✓	✓	✓	✓	✓	✓
LIGHT COMMERCIAL	✓	✓	✓		✓	

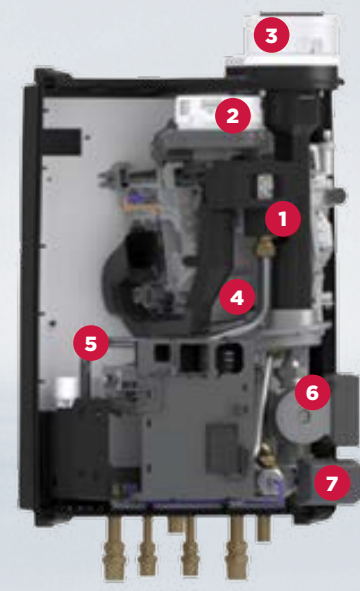
endless solutions



RINNAI CONDENSING BOILERS

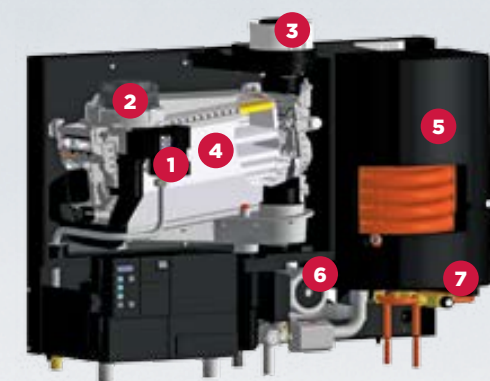
- 1 Gas-air mix
- 2 Combustion gas-air mix
- 3 Hot CH water
- 4 Flue gases
- 5 Fan and venturi assembly
- 6 Upside-down ceramic burner
- 7 Stainless steel pipes
- 8 Condensate outlet

E SERIES COMBI



- 1 Gas valve
- 2 Fan
- 3 Exhaust/intake
- 4 Stainless steel heat exchanger
- 5 DHW plate heat exchanger
- 6 Boiler pump
- 7 Three-way motorized valve allows Combi boiler to switch between heating and DHW

Q SERIES COMBI

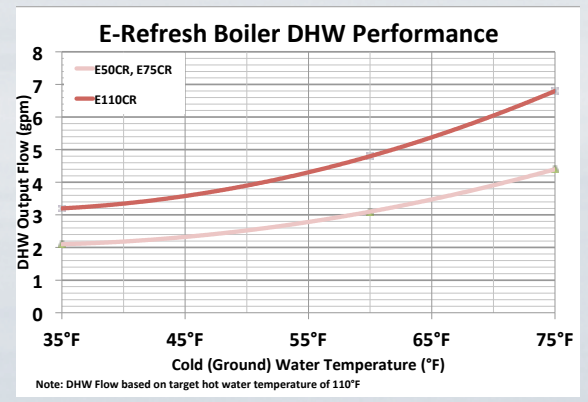


- 1 Gas valve
- 2 Fan
- 3 Exhaust/intake
- 4 Stainless steel heat exchanger
- 5 6.6 gallon DHW indirect tank (Q175C model)
- 6 Boiler pump
- 7 Integrated thermostatic mixing valve for DHW

Q PREMIER SERIES COMBI



- 1 Stainless steel heat exchanger
- 2 Boiler pump
- 3 Three-way diverting valve
- 4 Expansion tank (heating loop)
- 5 Domestic tank pump
- 6 Plate HEX (behind tank pump)
- 7 Temperature and pressure relief valve
- 8 24-gallon stainless steel charged tank
- 9 Tank drain valve



DOMESTIC WATER COMPARISON		
MODEL	QP130	TRADITIONAL BOILER INSTALLATION
TANK SIZE	24 GAL (90 L)	45 GAL (170 L)
BTU	130 K	157 K*
FIRST HOUR	211 GAL (799 L)**	212 GAL (803 L)***
CONTINUOUS	3.2 GPM (12.1 L/MIN)	N/A
PEAK DEMAND	5.6 GPM (22.2 L/MIN)	4.5 GPM (17.0 L/MIN)

*141,000 output for domestic.
 **Based on AHRI testing standard for indirect-fired water heaters.
 ***Based on 90° rise.

MODEL CHART AND SPECIFICATIONS

E SERIES CONDENSING BOILERS

E SERIES HEAT ONLY

E SERIES COMBI



MODELS*	E60SR	E85SR	E110SR	E50CR	E75CR	E110CR
Dimensions - w, h, d Inches (mm)	19.7 X 25.6 X 15.6 (500 X 650 X 395)	19.7 X 25.6 X 15.6 (500 X 650 X 395)	19.7 X 25.6 X 15.6 (500 X 650 X 395)	19.7 X 25.6 X 15.6 (500 X 650 X 395)	19.7 X 25.6 X 15.6 (500 X 650 X 395)	19.7 X 25.6 X 15.6 (500 X 650 X 395)
Weight** (lbs/kg)	79 LBS (36 KG)	79 LBS (36 KG)	92 LBS (42 KG)	91 LBS (41.3 KG)	91 LBS (41.3 KG)	101 LBS (46 KG)
Fuel Type	NG OR LP, FIELD CONVERTIBLE	NG OR LP, FIELD CONVERTIBLE	NG OR LP, FIELD CONVERTIBLE	NG, FIELD CONVERTIBLE	NG OR LP, FIELD CONVERTIBLE	NG OR LP, FIELD CONVERTIBLE
Max. Heating Capacity (MBH)	FIELD CONVERTIBLE	82 (24 kW)	106 (31 kW)	48 (13.8 kW)	72 (21 kW)	106 (31 kW)
Min. Input (MBH)	13.6-NG / 37-LP (4 kW-NG / 11 kW-LP)	13.6-NG / 37-LP (4 kW-NG / 11 kW-LP)	26-NG / 59-LP (8 kW-NG / 17 kW-LP)	13.6 (4 kW)	13.6-NG / 37-LP (4 kW-NG / 11 kW-LP)	26-NG / 59-LP (8 kW-NG / 17 kW-LP)
Max. Input (MBH-DHW)	N/A	N/A	N/A	85 (24.9 kW)	85 (24.9 kW)	130 (38.1 kW)
Max. Input (MBH-Heating)	60 (18 kW)	85 (25 kW)	110 (32 kW)	50 (15 kW)	75 (22 kW)	110 (32 kW)
Turn Down Ratio (NG)	4.4:1	6.3:1	4.2:1	3.7:1	5.5:1	4.2:1
DHW Activation Rate	N/A	N/A	N/A	0.5 GPM (2 LPM)	0.5 GPM (2 LPM)	0.5 GPM (2 LPM)
Max. DHW @ 75° F ΔT	N/A	N/A	N/A	2.1 GPM (7.9 LPM)	2.1 GPM (7.9 LPM)	3.2 GPM (12.1 LPM)
Max. DHW @ 60° F ΔT	N/A	N/A	N/A	3.1 GPM (11.7 LPM)	3.1 GPM (11.7 LPM)	4.8 GPM (18.2 LPM)
Max. DHW @ 41.7° C ΔT	N/A	N/A	N/A	N/A	N/A	N/A
Max. DHW @ 33° C ΔT	N/A	N/A	N/A	4.4 GPM (16.7 LPM)	4.4 GPM (16.7 LPM)	6.8 GPM (25.7 LPM)
AFUE Rating	95.5%	95.6%	95.6%	95.5%	95.5%	95.5%
Circulating Pump	MODULATING	MODULATING	MODULATING	MODULATING	MODULATING	MODULATING
Storage Capacity	N/A	N/A	N/A	N/A	N/A	N/A
Approved Venting Material	POLYPROPYLENE, STAINLESS STEEL, PVC, CPVC			POLYPROPYLENE, STAINLESS STEEL, PVC, CPVC		
Warranty†	STANDARD WARRANTY (SOME RESTRICTIONS APPLY): RESIDENTIAL: 12-YEAR HEAT EXCHANGER, 5-YEAR PARTS, 1-YEAR LABOR. COMMERCIAL: 5-YEAR HEAT EXCHANGER, 5-YEAR PARTS, 1-YEAR LABOR.			STANDARD WARRANTY (SOME RESTRICTIONS APPLY): RESIDENTIAL: 12-YEAR HEAT EXCHANGER, 5-YEAR PARTS, 1-YEAR LABOR. COMMERCIAL: 5-YEAR HEAT EXCHANGER, 5-YEAR PARTS, 1-YEAR LABOR.		
Certifications	SCAQMD, LOW LEAD			SCAQMD, LOW LEAD		
Included in the box	<ul style="list-style-type: none"> • 3" (80 mm) twin pipe adapters for venting (PVC and PP) • Wall mounting bracket • Outdoor reset sensor • 3/4" gas shut-off valve 			<ul style="list-style-type: none"> • Wall mounting bracket • Outdoor reset sensor • Flow restrictor • 3" (80 mm) twin pipe adapters for venting (PVC and PP) • Outdoor reset sensor • 3/4" gas shut-off valve 		

* Residential installation only.
 ** Shipping weight.
 † For complete information and details regarding Rinnai's warranty, please visit rinnai.us.

MODEL CHART AND SPECIFICATIONS

Q SERIES CONDENSING BOILERS

	Q SERIES (HEAT ONLY MODELS)				Q SERIES (COMBI MODELS)	Q PREMIER SERIES
						
Models*	Q85S	Q130S	Q175S	Q205S	Q175C	QP130
Dimensions - w, h, d Inches (mm)	19.7 X 26.8 X 15.2 (500 X 680 X 385)	19.7 X 26.8 X 15.2 (500 X 680 X 385)	26 X 26.8 X 15.2 (660 X 680 X 385)	26 X 26.8 X 15.2 (660 X 680 X 385)	39.4 X 26.8 X 15.2 (1,000 X 680 X 385)	23.6 X 61.8 X 25.2 (600 X 1,570 X 640)
Weight** (lbs/kg)	110 LBS (50 KG)	117 LBS (53 KG)	141 LBS (64 KG)	141 LBS (64 KG)	196 LBS (89 KG)	243 LBS (110.2 KG)
Fuel Type	NG OR LP, FIELD CONVERTIBLE	NG OR LP, FIELD CONVERTIBLE	NG OR LP, FIELD CONVERTIBLE	NG OR LP, FIELD CONVERTIBLE	NG OR LP, FIELD CONVERTIBLE	NG, LP WITH CONVERSION KIT
Max. Heating Capacity (MBH)	78 (23 kW)	119 (35 kW)	161 (47 kW)	186 (55 kW)	162 (47 kW)	119 (35 kW)
Min. Input (MBH)	17-NG / 37-LP (5 kW-NG / 11 kW-LP)	26-NG / 59-LP (8 kW-NG / 17 kW-LP)	35-NG / 74-LP (10 kW-NG / 22 kW-LP)	41-NG / 74-LP (12 kW-NG / 22 kW)	35-NG / 74-LP (10 kW-NG / 22 kW-LP)	26 (8 kW)
Max. Input (MBH-DHW)	N/A	N/A	N/A	N/A	175 (51 kW)	130 (38 kW)
Max. Input (MBH-Heating)	85 (25 kW)	130 (38 kW)	175 (51 kW)	205 (60 kW)	175 (51 kW)	130 (38 kW)
Turn Down Ratio (NG)	5:1	5:1	5:1	5:1	5:1	5:1
DHW Activation Rate					N/A	N/A
Max. DHW @ 75° F ΔT					4.1 GPM	211 GALLON / FIRST HR***
Max. DHW @ 60° F ΔT	INDIRECT TANK COMPATIBLE	INDIRECT TANK COMPATIBLE	INDIRECT TANK COMPATIBLE	INDIRECT TANK COMPATIBLE	N/A	N/A
Max. DHW @ 41.7° C ΔT					15.5 LPM	794 LITER / FIRST HR***
Max. DHW @ 33° C ΔT					N/A	N/A
AFUE Rating	95.4%	95.4%	95.0%	95.0%	95.0%	95.4%
Circulating Pump	MODULATING				MODULATING	
Storage Capacity	N/A	N/A	N/A	N/A	6.6 GAL (25 L)	24 GAL (90 L)
Approved Venting Material	POLYPROPYLENE, STAINLESS STEEL, PVC, CPVC				POLYPROPYLENE, STAINLESS STEEL, PVC, CPVC	
Warranty†	STANDARD WARRANTY (SOME RESTRICTIONS APPLY): RESIDENTIAL: 12-YEAR HEAT EXCHANGER, 2-YEAR PARTS, 1-YEAR LABOR. COMMERCIAL: 5-YEAR HEAT EXCHANGER, 2-YEAR PARTS, 1-YEAR LABOR.				STANDARD WARRANTY (SOME RESTRICTIONS APPLY): RESIDENTIAL: 12-YEAR HEAT EXCHANGER, 2-YEAR PARTS, 1-YEAR LABOR. COMMERCIAL: 5-YEAR HEAT EXCHANGER, 2-YEAR PARTS, 1-YEAR LABOR.	
Certifications	 SCAQMD, LOW LEAD				 SCAQMD, LOW LEAD	
Included in the box	<ul style="list-style-type: none"> • PRV • 3" (80 mm) twin pipe adapters for venting (PVC and PP) • Temperature and pressure gauge • Outdoor reset sensor • 3/4" gas shut-off valve 		<ul style="list-style-type: none"> • Plumbing kit—includes pre-assembled low-loss header with isolation valves, PRV, boiler drain, temperature and pressure gauge, unions and insulation • 3" (80 mm) twin pipe adapters for venting (PVC and PP) • Wall mounting bracket • Outdoor reset sensor • 3/4" gas shut-off valve • Flow restrictor (Combi models only) 	<ul style="list-style-type: none"> • Plumbing kit—includes pre-assembled low-loss header with isolation valves, PRV, boiler drain, temperature and pressure gauge, unions and insulation • 3" (80 mm) twin pipe adapters for venting (PVC and PP) • Wall mounting bracket • Outdoor reset sensor • 3/4" gas shut-off valve • Flow restrictor (combi models only) 	<ul style="list-style-type: none"> • Plumbing kit—includes pre-assembled low-loss header with isolation valves, PRV, boiler drain, temperature and pressure gauge, unions and insulation • 3" (80 mm) twin pipe adapters for venting (PVC and PP) • Wall mounting bracket • Outdoor reset sensor • 3/4" gas shut-off valve • Flow restrictor (combi models only) 	<ul style="list-style-type: none"> • PRV • 3" (80 mm) twin pipe adapters for venting (PVC and PP) • Temperature and pressure gauge • Outdoor reset sensor • 3/4" gas shut-off valve

* Residential installation only.
 ** Shipping weight.
 *** Based on AHRI testing standard for indirect-fired water heaters.
 † For complete information and details regarding Rinnai's warranty, please visit rinnai.us.

RINNAI CONDENSING BOILERS ACCESSORIES

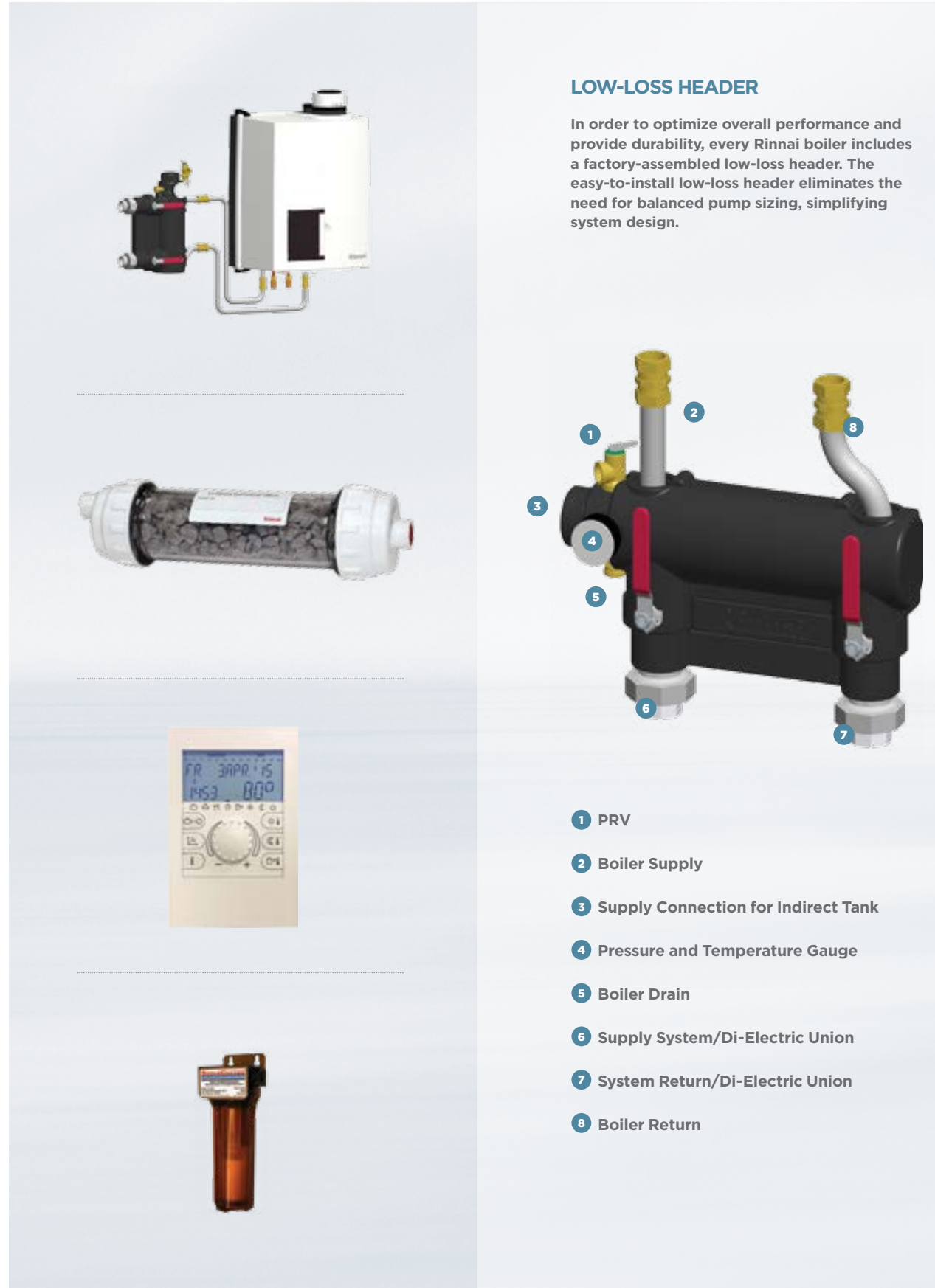
SIDE-MOUNT LOW-LOSS HEADER PIPE KIT*		
KIT NUMBER	FITS MODEL NO.	BENEFITS
804000071	E75C / E110C, E60SR, E85SR, E110SR, E50CR, E75CR, E110CR	<ul style="list-style-type: none"> SOLUTION FOR APPLICATIONS WITH HEIGHT LIMITATIONS ALLOWS INSTALLER TO CONNECT SYSTEM COMPONENTS AT AN OPTIMAL HEIGHT SAVES ON TIME AND LABOR MOUNTS TO LEFT SIDE OF BOILER ONLY
804000072	Q85S / Q130S	
804000073	Q175C / Q175S / Q205S	

CONDENSATE NEUTRALIZER KIT	
PART NUMBER	BENEFITS
804000074	<ul style="list-style-type: none"> RAISES PH BEFORE DISCHARGE INTO DRAIN 1.6 GALLONS/HOUR (6.05 LITERS/HOUR) MOUNTS VERTICALLY OR HORIZONTALLY FAST, SIMPLE INSTALLATION CLEAR CAPSULE REFILLABLE PARTS INCLUDED

RS100 CONTROLLER**	
PART NUMBER	BENEFITS
RS100	<ul style="list-style-type: none"> SIMPLE DIGITAL CONTROLLER WITH BACKLIT DISPLAY DIRECT COMMUNICATION WITH BOILER ADAPTIVE INDOOR RESET CONTROL ERROR REPORTING AND AUTO SERVICE MESSAGE LOCAL OVERRIDE OF THE ROOM TEMPERATURE FEATURES THREE FACTORY PRESET PROGRAMS; PROGRAMMABLE FOR HOLIDAYS CUSTOMIZED PROGRAM/PROFILE CAN BE CREATED BY USER OR INSTALLER TO FIT INDIVIDUAL NEEDS

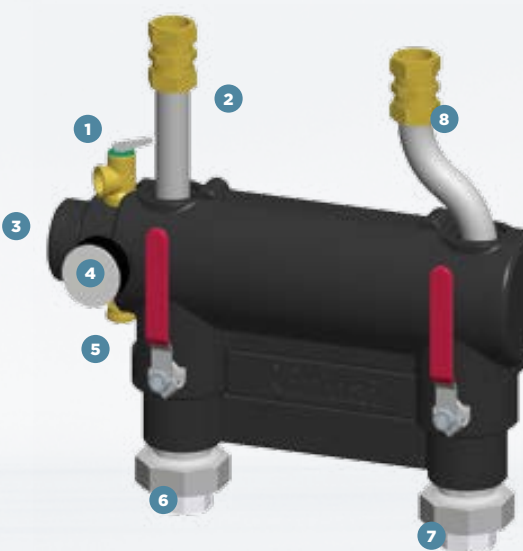
SCALECUTTER®		
PART NUMBER	DESCRIPTION	FEED
103000038	SCALECUTTER SYSTEM 3/4" FEED	3/4"
103000039	SCALECUTTER SYSTEM REFILL	3/4"

*Pre-bent pipes only, low-loss header not included in kit.
 **Available for E Series and Q Series models; not available for QP Series.



LOW-LOSS HEADER

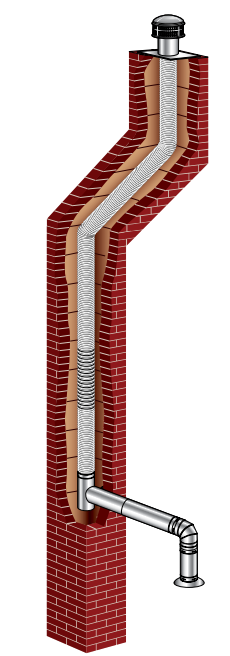
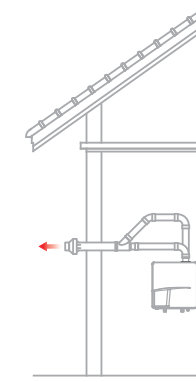
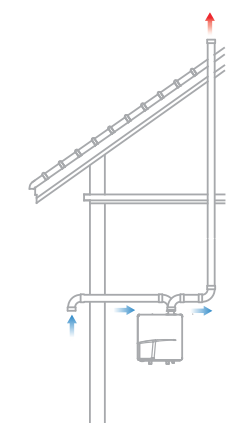
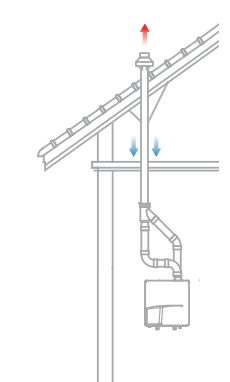
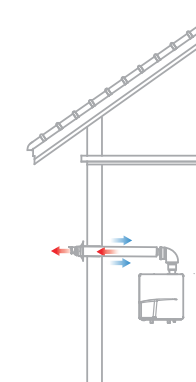
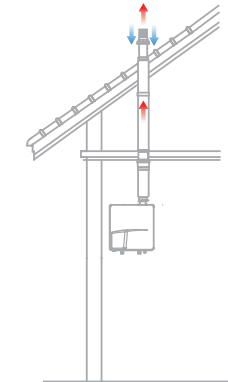
In order to optimize overall performance and provide durability, every Rinnai boiler includes a factory-assembled low-loss header. The easy-to-install low-loss header eliminates the need for balanced pump sizing, simplifying system design.



- 1 PRV
- 2 Boiler Supply
- 3 Supply Connection for Indirect Tank
- 4 Pressure and Temperature Gauge
- 5 Boiler Drain
- 6 Supply System/Di-Electric Union
- 7 System Return/Di-Electric Union
- 8 Boiler Return

FLEXIBLE VENTING OPTIONS

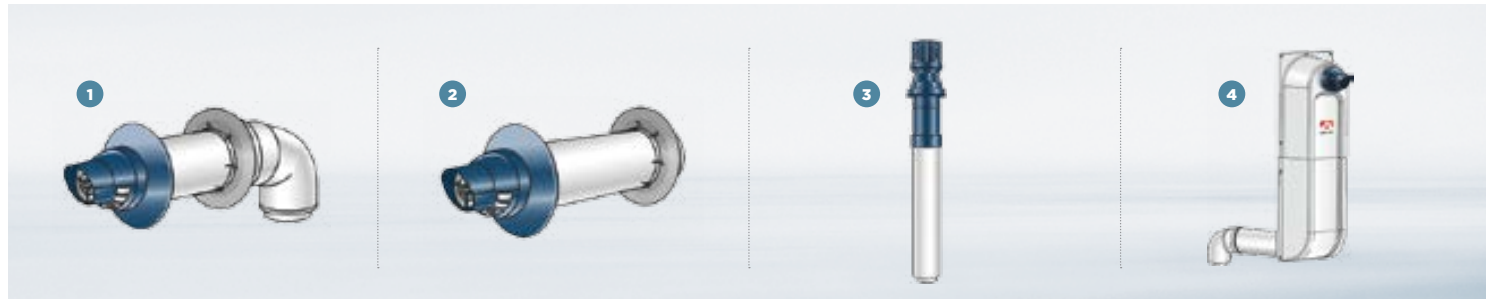
Rinnai Condensing Wall-Mounted Gas Boilers ensure a simple installation in any home, and are ready for direct-vent right out of the box—through either a wall or roof penetration. The twin-pipe adapter included allows venting with outside air intake. A comforting combination of safety and flexibility is available with concentric venting, which permits outside air intake through a single wall or roof penetration.

		
Chimney Liner: Simpson Fas-n-seal DuraVent flex liner	Twin-pipe with concentric sidewall termination	Vertical vent and horizontal air intake
		
Twin-pipe with concentric vertical termination	Concentric pipe with horizontal sidewall termination	Concentric pipe with roof termination

VENTING PARTS

TERMINATION & TERMINATION KITS

PART NUMBER	IMAGE	DESCRIPTION		INNER EXHAUST MATERIAL	OUTER INTAKE MATERIAL
223176PP	1	CONDENSING HORIZONTAL TERMINATION KIT	12" / 304.8 MM	PP	PLASTIC
223177PP	1	CONDENSING HORIZONTAL TERMINATION KIT	21" / 533.4 MM	PP	PLASTIC
223186PP	2	CONDENSING HORIZONTAL TERMINATION DIVERTER KIT	19" / 482.6 MM	PP	PLASTIC
184162PP	3	CONDENSING ROOF DISCHARGE TERMINATION SHORT (ABOVE ROOF)	38" / 965.2 MM	PP	PLASTIC
224047PP	4	CONDENSING RAISED HORIZONTAL TERMINATION KIT ("SNORKEL")	—	PP	PLASTIC
185344PP	—	ROOF TERMINATION EXTENSION KIT	—	PP	PLASTIC



ELBOWS

PART NUMBER	IMAGE	DESCRIPTION	INNER EXHAUST MATERIAL	OUTER INTAKE MATERIAL
224077PP	5	45-DEGREE ELBOW (QUANTITY OF 2)	PP	PLASTIC
224078PP	6	90-DEGREE ELBOW	PP	PLASTIC



VENT PIPE EXTENSIONS

PART NUMBER	IMAGE	DESCRIPTION		INNER EXHAUST	OUTER INTAKE MATERIAL
224087PP	7	VENT PIPE EXTENSION	10" / 254 MM	PP	PLASTIC
224079PP	7	VENT PIPE EXTENSION	19.5" / 495.3 MM	PP	PLASTIC
224080PP	7	VENT PIPE EXTENSION	39" / 990.6 MM	PP	PLASTIC

Termination Kits include elbow and rubber wall plate.

ADDITIONAL

PART NUMBER	IMAGE	DESCRIPTION	
146141	8	ROOF FLASHING ASSEMBLY (FLAT ROOF)	SUITABLE FOR USE WITH PLASTIC AND METAL COMPONENTS
189950	9	SHINGLE ROOF FLASHING (1/12 TO 6/12 PITCH; PLASTIC)	
189951	9	SHINGLE ROOF FLASHING (6/12 TO 12/12 PITCH; PLASTIC)	
189952	9	SHINGLE ROOF FLASHING (8/12 TO 16/12 PITCH; PLASTIC)	
50171949	10	TILE/SHINGLE ROOF FLASHING (1/12 TO 6/12 PITCH; METAL)	
50171961	10	TILE/SHINGLE ROOF FLASHING (6/12 TO 12/12 PITCH; METAL)	
50171954	10	TILE/SHINGLE ROOF FLASHING (8/12 TO 16/12 PITCH; METAL)	
242141	11	FLASHING FOR METAL ROOF	
710342	12	RUBBER WALL PLATE (WHITE)	
710602	12	RUBBER WALL PLATE (BLACK)	
224045	13	THIMBLE (1 PIECE PER BOX)	
169044	14	PIPE CLAMP	
224097	15	METAL PASS THROUGH PLATE	
224042	16	UNIVERSAL BUG GUARD	





endless
comfort

ENERGYSAVER® DIRECT VENT WALL FURNACES

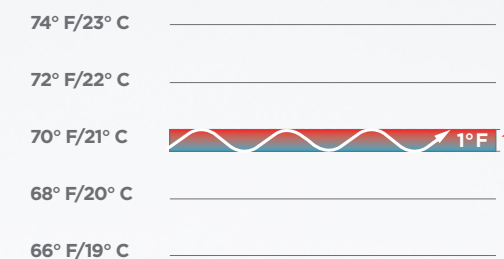
Comfortable home, comfortable energy bill

With a Rinnai EnergySaver® Direct Vent Wall Furnace, homeowners will be as comfortable with their energy bill as they will be with their room temperature.

- Modulates the usage of gas, optimizing energy efficiency
- Multiple models offer just the right size and configuration to heat a whole home or complement an existing heating system
- Unique modulating technology produces the specific level of heat needed at any given moment, responding to the smallest temperature changes

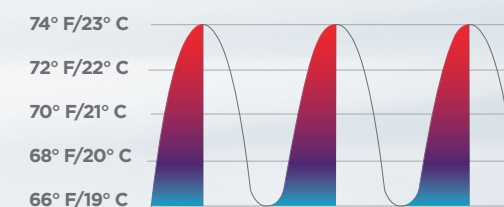


RINNAI MODULATING TECHNOLOGY



Rinnai's modulating technology responds to small temperature changes, resulting in higher levels of comfort.

SINGLE-STAGE HEATER (ON/OFF)



On/Off Single-Stage Heating Appliance.



HOW IT WORKS

- Constantly monitors room temperature 2" (5 cm) from the floor
- Consistently detects temperature changes of less than 1° F
- Within seconds, the Rinnai EnergySaver® Direct Vent Wall Furnace begins to gently heat the room
- Adjusts to increase or decrease fan speed and BTU output to reach desired preset temperature
- In case of a sudden influx of cold air, the EnergySaver® Direct Vent Wall Furnace automatically adjusts fan speed and BTU to quickly restore warmth to the room
- Heat loss is minimized since Rinnai EnergySaver® Direct Vent Wall Furnaces require no ductwork



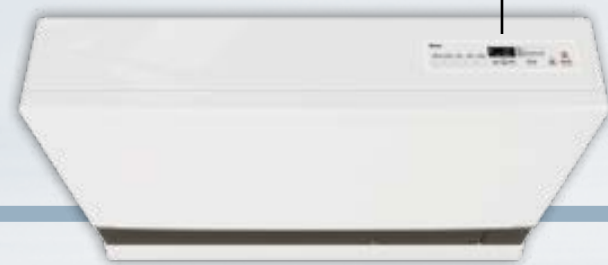
Customized heating

The easy-to-use programmable thermostat lets homeowners automatically operate their model at the optimum temperature, even when they're away. They can set a comfortable temperature for when they're home and a lower setting for when they're gone through Wi-Fi connectivity. They can even customize supplemental or zone heating according to their usage, habits and needs. Rinnai EnergySaver® Direct Vent Wall Furnaces come in multiple sizes and can be used in a variety of configurations. That's the kind of flexibility that brings added efficiency.



USER-FRIENDLY CONTROL PANEL

Manage the temperature in your home with our user-friendly control panel. Simply choose a set temperature or customize heating during the day by programming the timers.



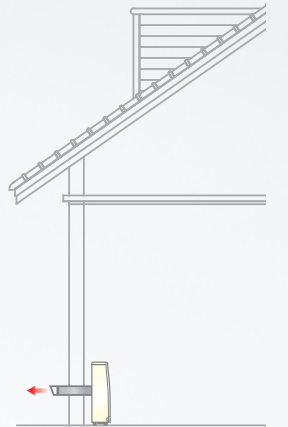
Quick, flexible installation

With Rinnai EnergySaver® Direct Vent Wall Furnaces, no ductwork means easy and quick installation. Versatile venting options allow you to install in a variety of locations. With flexible venting placement, a model can be positioned along almost any outside wall. Simple one-hole venting makes installation fast and straightforward. All the parts you need are included in the box with each model, and installation typically takes just four hours or less.

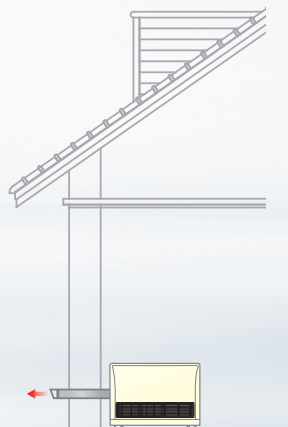
DIRECT VENT VENTING OPTIONS

Rinnai EnergySaver® Direct Vent Wall Furnaces vent directly through an outdoor wall, with discreet terminations only 4 inches in diameter. Available extension kits offer even more freedom for applications where the wall furnace isn't on the outdoor wall.

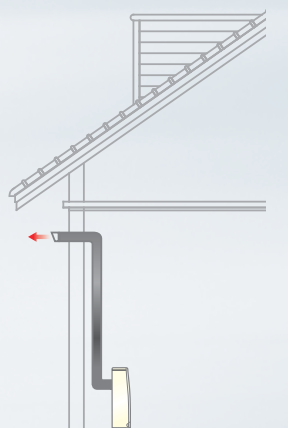
Direct, Through-Wall Vent Termination



Through-Wall Vent Termination with Extension Kit



Through-Wall Vent Termination with Extension Kit and Elbow



Please consult the Owner's Operation and Installation Manual for installation requirements.

ENERGYSAVER® DIRECT VENT WALL FURNACES

					
MODEL	EX08CT (RHFE-202FTA2)	EX11CT (RHFE-265FTA2)	EX17CT (RHFE-434FTA2)	EX22CT (RHFE-559FTA2) / EX22CTW (RHFE-559FTA2-W)	EX38CT (RHFE-1005FTA2) / EX38CTW (RHFE-1005FTA2-W)
COLOR	BEIGE	BEIGE	BEIGE	BEIGE/WHITE	BEIGE/WHITE
GAS TYPE	NG LP	NG LP	NG LP	NG LP	NG LP
INPUT RANGE (BTU) (LOW/HIGH)	3,000 / 8,000	5,500 / 11,000 5,700 / 11,000	8,200 / 16,700	8,200 / 21,500 8,200 / 20,700	13,200 / 38,400 13,200 / 36,500
AFUE RATING	82%	81%	81%	81%	80%
FAN CFM OUTPUT (LOW/HIGH)	48.3 / 78.6	96.4 / 128.5	111.3 / 191.3	111.3 / 162.7	190.7 / 263.0
DIMENSIONS (W,H,D) (MM)	18.3 X 27.4 X 10.1 (464.82 X 695.96 X 256.54)	18.3 X 27.4 X 10.1 (464.82 X 695.96 X 256.54)	29.9 X 22.9 X 10.1 (759.46 X 581.66 X 256.54)	29.9 X 22.9 X 10.1 (759.46 X 581.66 X 256.54)	36.6 X 26.4 X 13 (929.64 X 670.56 X 330.20)
SHIPPING WEIGHT (LBS/ KG)	46 LBS / 21 KG	46 LBS / 21 KG	57 LBS / 26 KG	57 LBS / 26 KG	88 LBS / 40KG
POWER CONSUMPTION (ELECTRONIC IGNITION)	41 WATTS	44 WATTS	46 WATTS	56 WATTS	117 WATTS
STANDBY POWER CONSUMPTION	LESS THAN 1 WATT	LESS THAN 1 WATT	LESS THAN 1 WATT	LESS THAN 1 WATT	LESS THAN 1 WATT
NOISE LEVEL dB(A)	27 - 36	31 - 38	33 - 38	33 - 42	39 - 46
CERTIFICATIONS	CSA, ICC-ES-PMG				
WARRANTY*	5-YEARS ON PARTS, 2-YEARS ON LABOR				
ALTITUDE APPROVED (FT)**	10,200				

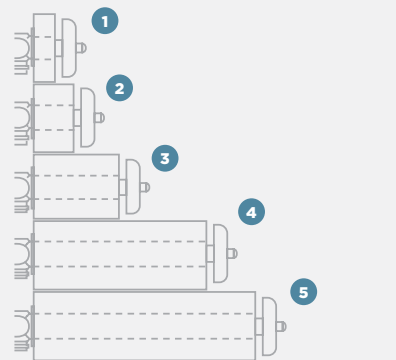
* For complete information and details regarding Rinnai's warranty, please visit rinnai.us.
** Only 5' allowed above 2000' elevation.

VENT TERMINATIONS

PART NUMBER	DESCRIPTION	FITS WALL THICKNESS (IN)
1 FOT-150W	S VENT	3 - 4.5
2 FOT-151**	A VENT	4.5 - 9.5
3 FOT-152	B VENT	9.5 - 15.75
4 FOT-153	C VENT	15.75 - 23.63
5 FOT-154	D VENT	23.63 - 31.5



Discreet Vent Terminal, only 4" in diameter.



VENT EXTENSION KITS

PART NUMBER	EXTENSION KIT	EX11CT	EX17CT	EX22CT/ EX22CTW	EX38CT/ EX38CTW
FOT-155	12" TO 20"	•			
FOT-156	21" TO 40"	•			
FOT-157	61" TO 80"	•			
FOT-158*	STD BENT ELBOW	•	•	•	
FOT-201*	LONG BENT ELBOW	•	•	•	
FOT-219	12" TO 20"		•	•	
FOT-220	21" TO 40"		•	•	
FOT-221	61" TO 80"		•	•	
FOT-102	12" TO 20"				•
FOT-103	21" TO 40"				•
FOT-114	61" TO 80"				•
FOT-115	STD BENT ELBOW				•

*Please consult the Owner's Operation and Installation Manual for complete venting information.

CONVERSION KITS

PART NUMBER	GAS TYPE	FITS MODEL NUMBER
204000033	NG	EX08CT
204000037	LP	
204000034	NG	EX11CT
204000038	LP	
204000035	NG	EX17CT
204000039	LP	
204000036	NG	EX22CT/EX22CTW
204000040	LP	
204000026	NG	EX38CT/EX38CTW
204000027	LP	

EXTENSION PIPE COVER KITS (LIMITED AVAILABILITY)

PART NUMBER	DESCRIPTION	EX11CT	EX17CT	EX22CT/ EX22CTW	EX38CT/ EX38CTW
FOT-132	MANIFOLD COVER KIT				•
FOT-133	COVER KIT				•
FOT-134	ELBOW COVER KIT				•
FOT-140	MANIFOLD COVER KIT	•	•	•	
FOT-142	ELBOW COVER KIT	•	•	•	

endless

peace of mind



We designed the Rinnai Vent-Free Fan Convectors with families in mind. Simple and efficient, with safety features integrated into the technology:

- **Cool-touch cabinet**
While comfortably heating the space, the exterior remains cool to the touch.
- **Tilt switch**
The gas supply will automatically be disabled in the event the heater is knocked over. At the same time, the fan will continue to run to cool internal parts.
- **Flame failure protection**
If the burner flame goes out, the heater will automatically shut itself off and discontinue all operations.
- **Power failure protection**
The gas supply will be shut off automatically in the event of a power loss.
- **Oxygen Depletion Sensor (ODS)**
The model automatically shuts off if inadequate oxygen levels are detected.
- **Control panel lock**
A control panel locking feature allows you to lock controls to prevent unintended operation—especially by children.
- **Overheat switch**
A safeguard that monitors operating temperatures and automatically shuts the system down if temperatures exceed predetermined levels, preventing damage to system components.
- **Fuse protection**
Protect your model's electrical system with a 5-amp fuse.

VENT-FREE FAN CONVECTORS

More heat. Less fuel. More savings.

For rooms that are hard to heat, Rinnai Vent-Free Fan Convectors are the perfect solution. They incorporate a convection fan that evenly distributes warm air throughout the space, providing comfort even in faraway corners. Temperature output control maintains efficiency when heat isn't needed. By eliminating vents or ducts, places where heat typically gets lost, virtually all the warm air gets delivered to the room—making for a solution that's 99.9% efficient. In fact, the **Rinnai Vent-Free Fan Convectors are one of the most fuel-efficient heating products on the market today.** Utilizing either natural gas or liquid propane fuel, it can significantly reduce energy bills.

Flexible, easy installation

With no vents or ducts, installation can be easily done in a variety of locations.

Onboard diagnostics

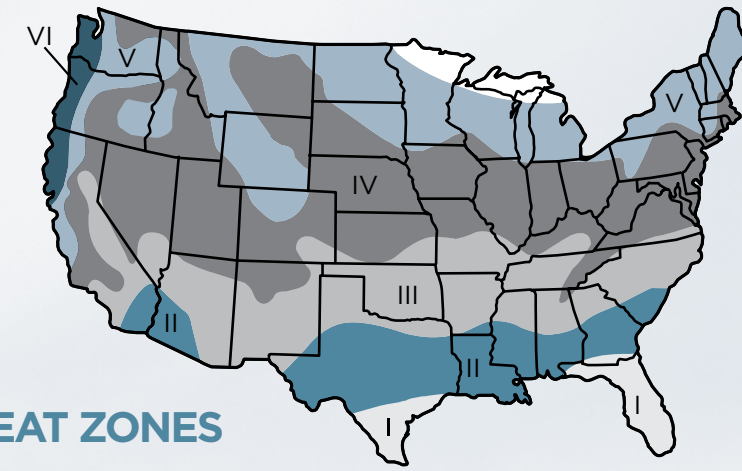
Quickly trouble-shoot and repair each system with onboard diagnostics.





Select the right vent-free fan convector or direct vent furnace

- 1 Calculate the volume (cubic feet) or square footage of the space that will be heated.
 - Calculate volume (in cubic feet) by multiplying the length (in feet) times the width (in feet) by the height (in feet)
 - Calculate square feet by multiplying the length (in feet) times the width (in feet)
- 2 Choose your location on the map and the BTU Zone on the chart at right.
- 3 Select model based on either calculated cubic feet or square feet.



NATIONAL HEAT ZONES

VENT-FREE FAN CONVECTOR AND DIRECT VENT SELECTION GUIDE			
ROOM VOLUME / HEATING AREA SIZE			
BTU ZONE	MODEL	CUBIC FEET	SQUARE FEET*
I	FC510	UP TO 5,400	UP TO 680
	FC824	5,401 - 13,000	681 - 1,600
	EX08CT	UP TO 3,500	UP TO 440
	EX11CT	3,501 - 4,800	441 - 600
	EX17CT	4,801 - 7,300	601 - 910
	EX22CT	7,301 - 9,400	911 - 1,180
II	EX38CT	9,401 - 16,600	1,181 - 2,080
	FC510	UP TO 4,500	UP TO 560
	FC824	4,501 - 10,900	561 - 1,400
	EX08CT	UP TO 3,000	UP TO 380
	EX11CT	3,001 - 4,100	381 - 510
	EX17CT	4,101 - 6,100	511 - 760
III	EX22CT	6,101 - 7,900	761 - 990
	EX38CT	7,901 - 14,000	991 - 1,750
	FC510	UP TO 3,800	UP TO 480
	FC824	3,801 - 9,200	481 - 1,200
	EX08CT	UP TO 2,500	UP TO 310
	EX11CT	2,501 - 3,400	311 - 430
IV	EX17CT	3,401 - 5,200	431 - 650
	EX22CT	5,201 - 6,700	651 - 840
	EX38CT	6,701 - 11,800	841 - 1,480
	FC510	UP TO 3,200	UP TO 400
	FC824	3,201 - 7,600	401 - 1,000
	EX08CT	UP TO 2,100	UP TO 260
V**	EX11CT	2,101 - 2,800	261 - 350
	EX17CT	2,801 - 4,300	351 - 540
	EX22CT	4,301 - 5,500	541 - 690
	EX38CT	5,501 - 9,800	691 - 1,230
	FC510	UP TO 2,600	UP TO 330
	FC824	2,601 - 6,200	331 - 800
VI	EX08CT	UP TO 1,700	UP TO 210
	EX11CT	1,701 - 2,300	211 - 290
	EX17CT	2,301 - 3,500	291 - 440
	EX22CT	3,501 - 4,500	441 - 560
	EX38CT	4,501 - 8,000	561 - 1,000
	FC510	UP TO 4,500	UP TO 560
VI	FC824	4,501 - 10,900	561 - 1,400
	EX08CT	UP TO 3,000	UP TO 380
	EX11CT	3,001 - 4,100	381 - 510
	EX17CT	4,101 - 6,100	511 - 760
	EX22CT	6,101 - 7,900	761 - 990
	EX38CT	7,901 - 14,000	991 - 1,750

* Chart should not be used as the sole document for making final product selection. Consult with your Rinnai independent dealer. Based on 8 ft. ceiling height. These guidelines apply to average house construction. Information based on Sizing Guidelines for Vent-Free Gas.

** In single rooms in Region V, multiply the room's volume by 3.20. The result is the maximum heat input (BTU/hr) of the product that you should consider.

NOTE: Rinnai Vent-Free Fan Convectors are intended for supplemental heating only, according to the International Fuel Gas Code (IFGC), and should be used in applications as such. Some states prohibit the use of unvented heaters. Check local codes for your area to verify approval of use.

MODEL CHART AND SPECIFICATIONS VENT-FREE CONVECTORS

VENT-FREE FAN CONVECTORS



MODEL	FC510 (RCE-391A-H)		FC824 (RCE-691TA-H)	
COLOR	OFF-WHITE			
GAS TYPE	NG	LP	NG	LP
INPUT RANGE (BTU) (LOW/HIGH)	5,500 / 10,000	5,600 / 10,000	8,400 / 24,000	8,000 / 22,000
AFUE RATING	99.9%		99.9%	
FAN CFM OUTPUT (LOW/HIGH)	67.8 / 97.8		109.5 / 215.4	
DIMENSIONS (W,H,D) (MM)	19.2 X 19.4 X 9.6 (487.7 X 492.76 X 243.84)		24 X 19 X 9.4 (609.6 X 486.20 X 238.70)	
SHIPPING WEIGHT (LBS/KG)	22.1 LBS / 10 KG		26.5 LBS / 12 KG	
POWER CONSUMPTION (ELECTRONIC IGNITION)	19 WATTS		29 WATTS	
STANDBY POWER CONSUMPTION	N/A		N/A	
NOISE LEVEL dB(A)	28 - 38		30-44	
TOTAL EXTENDED VENT (FT/M)	N/A		N/A	
TOTAL VERTICAL VENT (FT/M)	N/A		N/A	
CERTIFICATIONS	CSA FOR U.S. ONLY		CSA FOR U.S. ONLY	
WARRANTY*	3 YEARS ON PARTS			
ALTITUDE APPROVED (FT)	5,200		5,200	

*For complete information and details regarding Rinnai's warranty, please visit rinnai.us. Check local code requirements for vent-free products

100 years of innovation

For nearly 100 years, Rinnai has been fiercely committed to delivering nothing less than our absolute best. With headquarters in Japan and a network of 20 subsidiaries and 86 sales offices in 13 countries, this commitment has made us one of the world's largest gas appliance manufacturers, specializing in high-efficiency home heating solutions. Our value-added products continue to stay in step with the demands of our changing world.

The highest standards of quality

Rinnai employs more than 600 research and development engineers, all focused on uncompromising quality in design and manufacturing. Advanced automation and precision assembly processes have made our manufacturing facilities an industry model for efficiency. Every product undergoes a series of live testing before shipping. In fact, Rinnai America is one of the few tankless water heater manufacturers with its own state-of-the-art Canadian Standards Association Certified Testing Laboratory, including CSA accredited lab technicians.

All our products have been approved by the CSA and adhere to the strict standards of the American National Standards Institute (ANSI). Throughout the world, our standards for quality remain unsurpassed.

A world of support behind you

Beyond manufacturing the highest-quality products, our people stand behind all that we make—before, during and long after installation. From the 24/7/365 technical support for professionals, to our national network of independent installers, to our on-staff engineers who can assist with choosing the right products and sizes—we're inspiring confidence as well as comfort.



24/7/365
TECHNICAL
SUPPORT



Learn more about Rinnai high-performance Tankless Water Heaters, Hybrid Water Heating Systems, Boilers, Vent-Free Fan Convectors and EnergySaver® Direct Vent Wall Furnaces at:

rinnai.us | rinnai.ca

Rinnai[®]
HEATING SOLUTIONS

Rinnai America Corporation • 103 International Drive, Peachtree City, GA 30269
1-800-621-9419 • rinnai.us

©2016 Rinnai America Corporation. Rinnai America Corporation continually updates materials, and as such, content is subject to change without notice. Local, state, provincial, federal and national fuel gas codes must be adhered to prior to and upon installation.