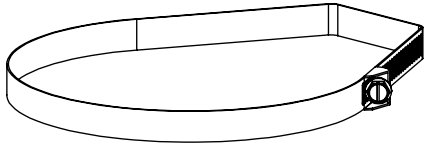


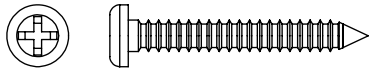
PRODUCT SPECIFICATION DRAWING

QUICK STRAP® #QS-5 & #QS-12

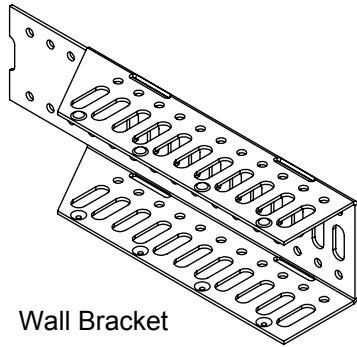
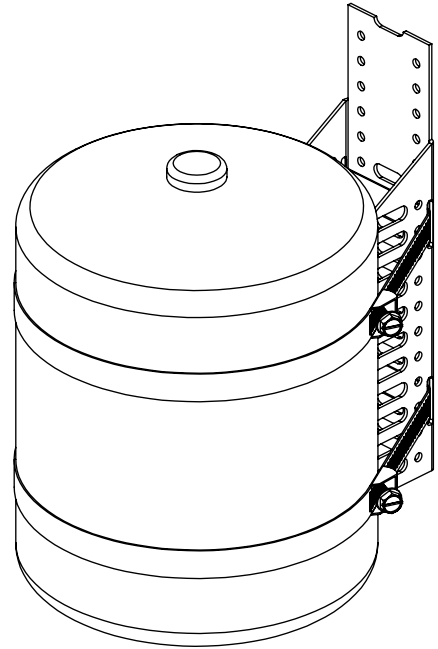
THERMAL EXPANSION TANK MOUNTING BRACKET



1/2" Wide, .025" Thick, Stainless Steel Band (2)



#8 x 1.5" Long Sheet Metal Screw (2)



Wall Bracket

ALL DIMENSIONS IN INCHES

MODEL	SIZE
QS-5	Up to 2.5 Gallon / Up to 9.0" Diameter
QS-12	2.5 to 5 Gallon / 9.5" to 13" Diameter

The QUICK STRAP® #QS-5 & #QS-12 is a thermal expansion tank mounting bracket. Secures to wall and takes weight load off pipes. Galvanized and stainless steel construction. Available for 2-5 gallon units. The system includes: Wall Bracket, (2) Straps and (2) #8 x 1.5" Long Sheet Metal Screws.

Product Information:

- Material:
 - Strap: 1/2" Wide, .025" Thick, 201/301 Stainless Steel
 - Bracket: 16GA, Galvanized Steel
 - Screws: Pan Head, #8 x 1-1/2" Long, Steel
- Load Rating: 70 LBS. (Choose appropriate wall anchors)

THIS INFORMATION IS PROPRIETARY TO HOLDRITE AND IS SUBJECT TO CHANGE WITHOUT NOTICE. IT MAY NOT BE REPRODUCED IN PART OR WHOLE WITHOUT WRITTEN AUTHORIZATION.



Product Submittal	
Job Name:	
Date:	
Part Number:	Qty:
Architect / Owner:	
Contractor:	
Notes:	