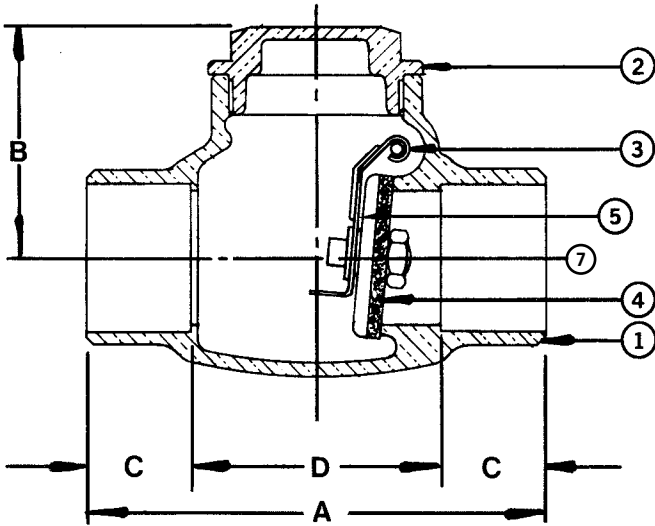


1509/1509T 3/8"-3"

Bronze Check Valve
125 SWP - 200 WOG †
Bronze Disc
Horizontal Swing • Solder Ends
Conforms to: MSS SP-80

MATERIAL LIST			
No.	PART	MATERIAL	SPECIFICATION
1	Body	Bronze	ASTM B62
2	Cap	Bronze	ASTM B62
3	Lever	St. Steel	Commercial
4	Disc	Brass-1509	ASTM B16 1/4" to 3/4"
			ASTM B453 1" to 1 1/2"
		Bronze-1509	ASTM B62 2" to 3"
	PTFE-1509T	Commercial	
5	Pin	St. Steel	Commercial
6	Plug (not shown)	Brass	ASTM B16
7	Retaining Ring	St. Steel	Commercial



Note: Not intended for use in potable water.

DIMENSIONS - INCHES/MILLIMETERS						
Units	Size	A	B	C	D	C _v
Inches	3/8	2.25	1.44	0.38	1.50	6.0
mm		57	37	10	38.1	
Inches	1/2	2.56	1.44	0.50	1.56	10.0
mm		65	37	13	40	
Inches	3/4	3.31	1.69	0.75	1.75	18.0
mm		84	43	19	45	
Inches	1	4.00	1.97	0.91	2.19	31.0
mm		102	50	23	56	
Inches	1 1/4	4.25	2.16	0.97	2.31	54.0
mm		108	55	25	59	
Inches	1 1/2	4.94	2.41	1.09	2.75	76.0
mm		125	61	28	70	
Inches	2	6.13	2.81	1.34	3.44	131.0
mm		156	72	34	87	
Inches	2 1/2	7.38	3.63	1.47	4.44	233.8
mm		187	92	37	123	
Inches	3	8.50	4.81	1.66	5.19	286.4
mm		216	106	42	132	

† Non-Shock

INNOVATION IN EVERY VALVE



The information presented on this sheet is correct at the time of publication. Milwaukee Valve reserves the right to change design, and/or material specifications without notice. For the Installation, Operation and Maintenance Manual (IOM) see the Technical/Service Information section on our website. For the most current information access www.milwaukeevalve.com

MILWAUKEE VALVE