



Reach™ Curv

One-piece compact elongated dual-flush toilet
K-23188

Features

- One-piece toilets integrate the tank and bowl into a seamless, easy-to-clean design.
- Compact elongated bowl offers added comfort while occupying the same space as a round-front bowl.
- Standard height.
- Top-mount dual-flush actuator offers a choice of 0.8 or 1.28 gpf (3.0 or 4.8 lpf).
- 2" (51 mm) fully-glazed trapway.
- Fully skirted trapway simplifies cleaning.
- Quiet-Close™ elongated seat allows seat to close quietly.
- Alternative option available: Reach Curv with hidden cord design (K-23188-HC).

Installation

- Standard 12" (305 mm) rough-in.
- Supply line sold separately.

Recommended Products/Accessories

1023457 Wax Ring/Hardware Kit
1265114 Connector Hose

Included Components

Additional Components:
23204T Quiet-Close Seat



Codes/Standards

ASME A112.19.2/CSA B45.1
ASME A112.19.14
DOE - Energy Policy Act 1992
EPA WaterSense®
California Energy Commission (CEC)

KOHLER® Toilets and Seats Limited Warranty

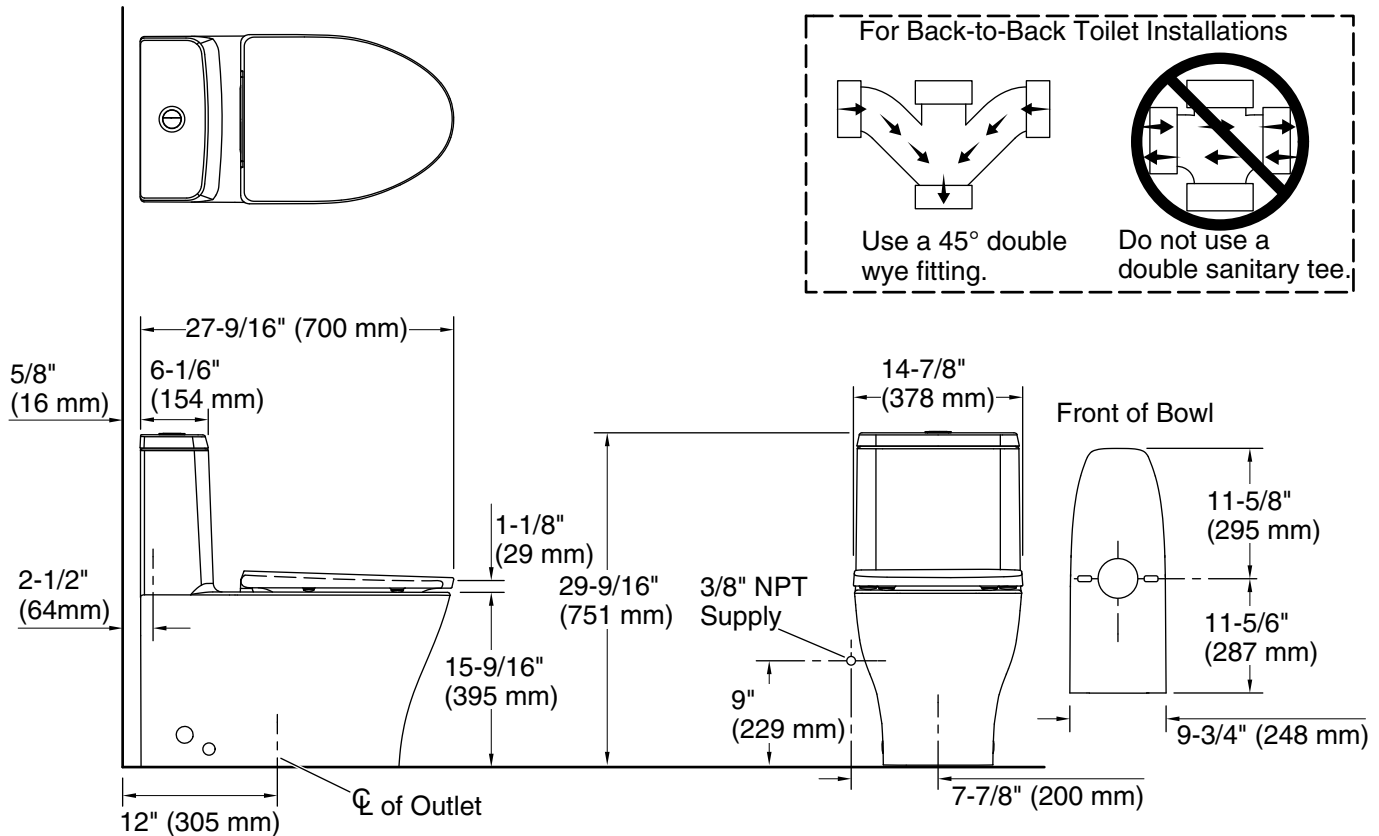
See website for detailed warranty information.

Available Colors/Finishes

Color tiles intended for reference only.

Color	Code	Description
-------	------	-------------

	0	White
--	---	-------



Technical Information

All product dimensions are nominal.

Waste Outlet:	Floor
Bowl shape:	Compact elongated
Flush type:	Siphon jet
Trap passageway:	2" (51 mm)
Water Consumption	
Full:	1.28 gpf (4.8 lpf)
Reduced:	0.8 gpf (3 lpf)
Water surface size:	7-3/4" x 5-3/4" (197 mm x 146 mm)
Rim to water surface:	5-13/16" (148 mm)
Rough-in:	12" (305 mm)
Seat-mounting holes:	5-1/2" (140 mm)
Template:	Footprint, 1392770-7, not required, included

Fixture Supply Requirements

Min static pressure:	20 psi (137.9 kPa)
Max static pressure:	80 psi (551.6 kPa)
Min flowing pressure:	15 psi (103.4 kPa)
Min flow rate:	1 gpm (3.8 lpm)

Notes

Install this product according to the installation instructions.