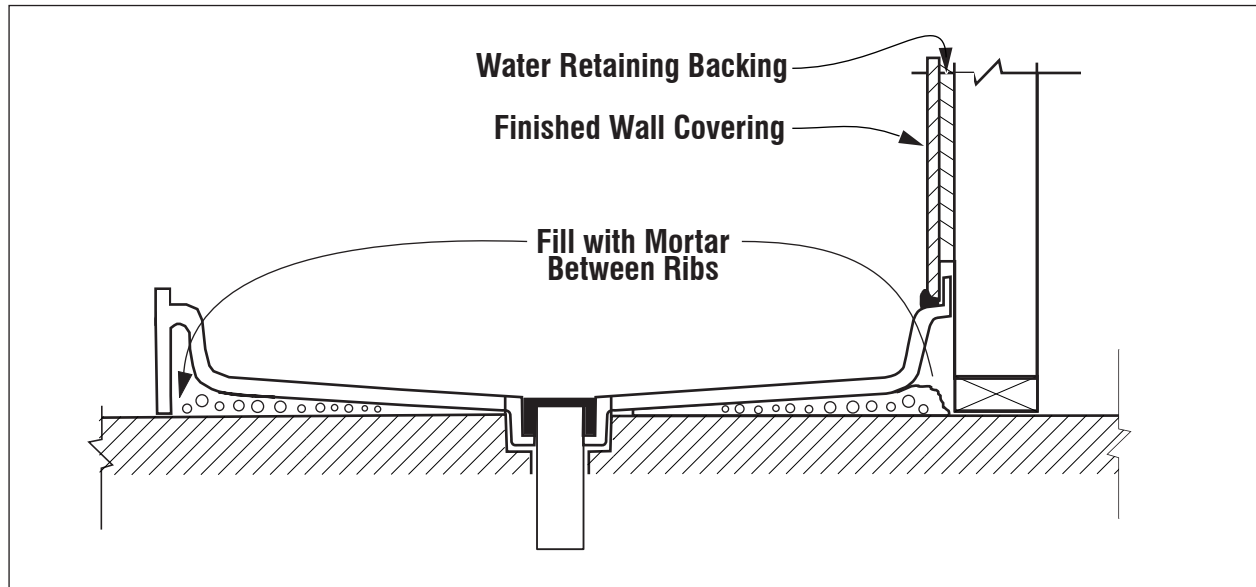


## Molded Fiberglass Shower Receptors Installation Instructions

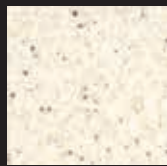


1. Examine sub-floor shower area for movement and/or squeaks. Fix any problems encountered.
2. 101 PNC drain requires minimum 5" diameter by 2¼" deep recess in sub-floor for adequate clearance.
3. Level and plumb receptor on a bed of mortar (fill between ribs) for warranty compliance. (See drawing.)
4. Allow mortar to cure (24hrs) before stepping onto pan for step #5.
5. Use a large head nail or screw directly above tiling flange to secure in place. Do not nail or screw directly into flange as it may cause cracking.
6. After attaching drain, use water and check for proper drainage before finishing walls.

### SPECIAL GRANITE COLORS:



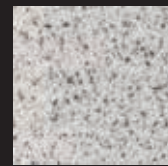
**Florestone  
Vanilla**



**Florestone  
Crushed Almond**



**Florestone  
Sandy Beach**



**Florestone  
Pewter**



**FLORESTONE PRODUCTS CO., INC.**

2851 Falcon Drive • Madera, CA 93637

T. 559.661.4171 • T. 800.446.8827

F. 559.661.2070 • florestone.com

**Dimensions subject to change without notice.**

**Contact Florestone Products to  
verify product specifications.**

**Dimensions may vary  $\pm$  1/4" inch.**

**Please check unit before installation.**