



Morningside™

Wall-mount Wheelchair Bathroom Sink

K-12634

Features

- Made from premium materials that withstand high-volume usage
- Constructed of vitreous china
- 20"L x 27"W
- Wall-mount installation
- 11-1/2" center drilling
- Drilled for concealed arm carrier
- ADA-compliant when installed with K-13885 offset drain

Recommended Products/Accessories

- K-8998 P-Trap
- K-7131-A Offset Drain



ADA

Codes/Standards

ASME A112.19.2/CSA B45.1
ADA
ICC/ANSI A117.1




KOHLER® One-Year Limited Warranty

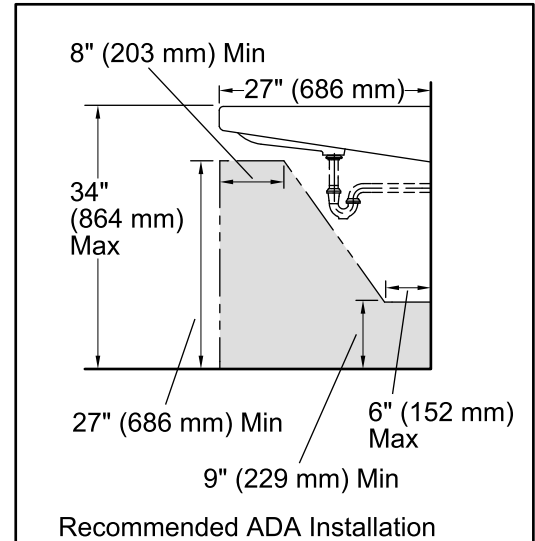
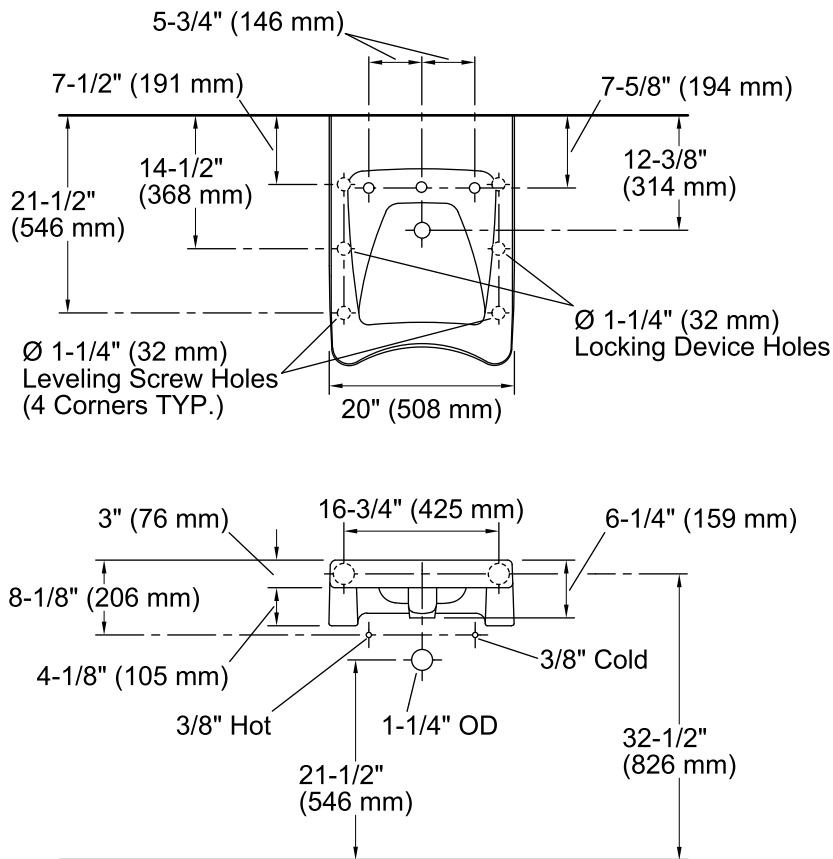
See website for detailed warranty information.

Available Colors/Finishes

Color tiles intended for reference only.

Color	Code	Description
-------	------	-------------

	0	White
	96	Biscuit
	47	Almond



Technical Information

All product dimensions are nominal.

- Bowl configuration: Single
 Installation: Wall-mount
 Bowl area (Only): Length: 14" (356 mm)
 Width: 13" (330 mm)
 Water depth: 2-5/8" (67 mm)
 Number of deck holes: 3
 Faucet hole(s): 1-3/8" (35 mm)
 Drain hole: 1-3/4" (44 mm)

Notes

Install this product according to the installation instructions.

ADA compliant when installed to the specific requirements of these regulations.