

PRPGN14

PRODUCT SPECIFICATIONS

14 SEER GAS ELECTRIC PACKAGED UNIT - ULTRA LOW NOx

REFRIGERANT SYSTEM

- Environmentally friendly R410A refrigerant
- Copper tubing with enhanced fin coils
- Internal service gauge ports
- Sleeved distributor tubes
- Antimicrobial insulated drain pan
- High and Low Threaded pressure switches for system protection

HEAT EXCHANGER

- GN models comply with California Energy Commission Ultra Low NOx regulations (<14 ng/J)
- Stainless steel dimpled tubular heat exchanger for increased efficiency
- Pest protected flue outlet

CABINET CONSTRUCTION

- Heavy-gauge galvanized steel base rails with rigging holes
- Rounded corners for safety and an attractive, clean appearance
- One piece base design for strength and stability
- Condensate and coil runoff drains to the perimeter of the unit
- Horizontal and downflow duct openings are flanged to minimize water entry
- Low profile, with compact footprint
- Insulation to minimize heat loss plus reduce sound
- Textured pre-painted steel cabinet finish
- Superior service access to components
- Louvered coil guard protection
- One piece “no leak” top design

BLOWER

- Insulated compartment to reduce sound
- Efficient constant torque motor for wide airflow range
- Slide out blower housing for easy service

CONTROLS

- Solid state integrated blower control board with L.E.D. self diagnostics
- Direct spark ignition
- Color coded wiring for easy service

INSTALLATION

- Horizontal or down discharge capable
- Horizontal and downflow duct covers provided with unit for installation flexibility
- Drain pan float switch monitors condensate level in drain pan and shuts down unit if drain becomes clogged
- Utility connections on “right side”
- Kits enable bottom gas and power entry through base pan
- Seismic Certification (with Seismic Strapping Kit applied): Latest Edition of International Building Code, California Building Code, and ASCE 7-16

FORM NO. PRPGN14-100 (10/2021)



ACCESSORIES

- Clip roof curbs and adjustable pitch roof curbs available
- Internal Filter kits
- Duct Adapters
- Closure kit for base rail openings

WARRANTY

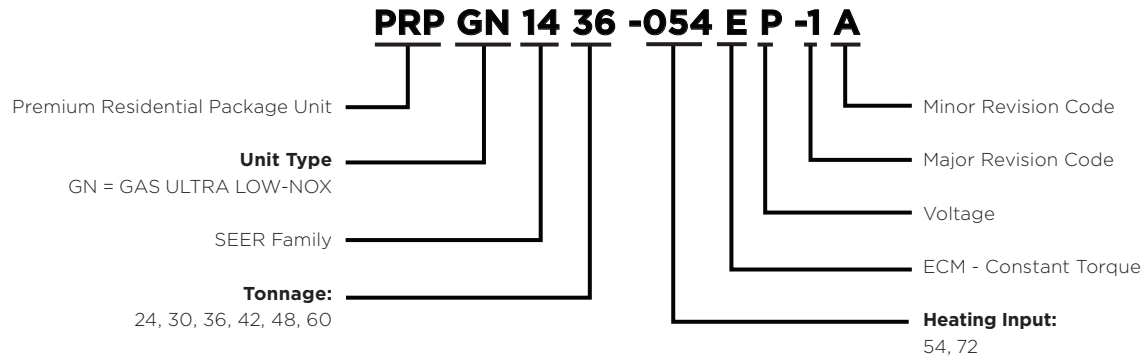
10 year limited parts and compressor warranty/lifetime heat exchanger warranty available. See limited warranty document for details.

California Only

If installed in South Coast Air Quality Management District (SCAQMD) only: This furnace meets the SCAQMD Rule 1111 NOx emission limit (14 ng/J). This furnace is eligible for the Clean Air Furnace Rebate Program: www.CleanAirFurnaceRebate.com.
If installed in San Joaquin Valley Air Pollution Control District (SJVAPCD) only: This furnace meets the SJVAPCD Rule 4905 NOx emission limit (14 ng/J).



MODEL NUMBER GUIDE



ELECTRICAL AND PHYSICAL DATA

Model	Voltage	Phase	Hz	Min Volts @ 60 hz	MCA	Max Fuse/HACR Breaker	Compressor		Condenser Motor		Blower Motor		Exhaust Motor		Refrig. Charge (oz.)	Weight (lbs.)
							RLA	LRA	FLA	HP	FLA	HP	RLA	HP		
PRPGN1424-054EP	208-230	1	60	197	14.4	20	8.6	43.5	1.0	1/6	2.8	1/3	0.22	1/50	72	407
PRPGN1430-054EP							10.6	47			4.1	1/2			80	414
PRPGN1436-054EP							15.7	72.2			4.1	1/2			87	430
PRPGN1442-072EP							15.9	112.3	6	3/4	108	522				
PRPGN1448-072EP							16.9	94	6	3/4	115	525				
PRPGN1460-072EP							26.4	152.5	7.6	1.0	139	557				

PERFORMANCE

Model	COOLING					HEATING				Sound dBA
	Rated AHRI Capacity Btuh	SEER	EER	Rated Sensible Capacity Btuh	CFM	Input BTUH	Output BTUH	Efficiency AFUE	Temp Rise Range °F	
PRPGN1424-054EP	22,600	14.0	11.0	17,400	800	54,000	43,800	81%	30-60	77
PRPGN1430-054EP	28,400			21,900	1000	54,000	43,800		30-60	79
PRPGN1436-054EP	34,000			26,100	1200	54,000	43,800		30-60	79
PRPGN1442-072EP	40,000			30,800	1400	72,000	58,400		25-55	78
PRPGN1448-072EP	45,500			35,000	1600	72,000	58,400		25-55	77
PRPGN1460-072EP	57,000			41,600	1800	72,000	58,400		25-55	78

*Certified in accordance with Unitary Air Conditioner Certification Program, which is based on AHRI Standard 210/240

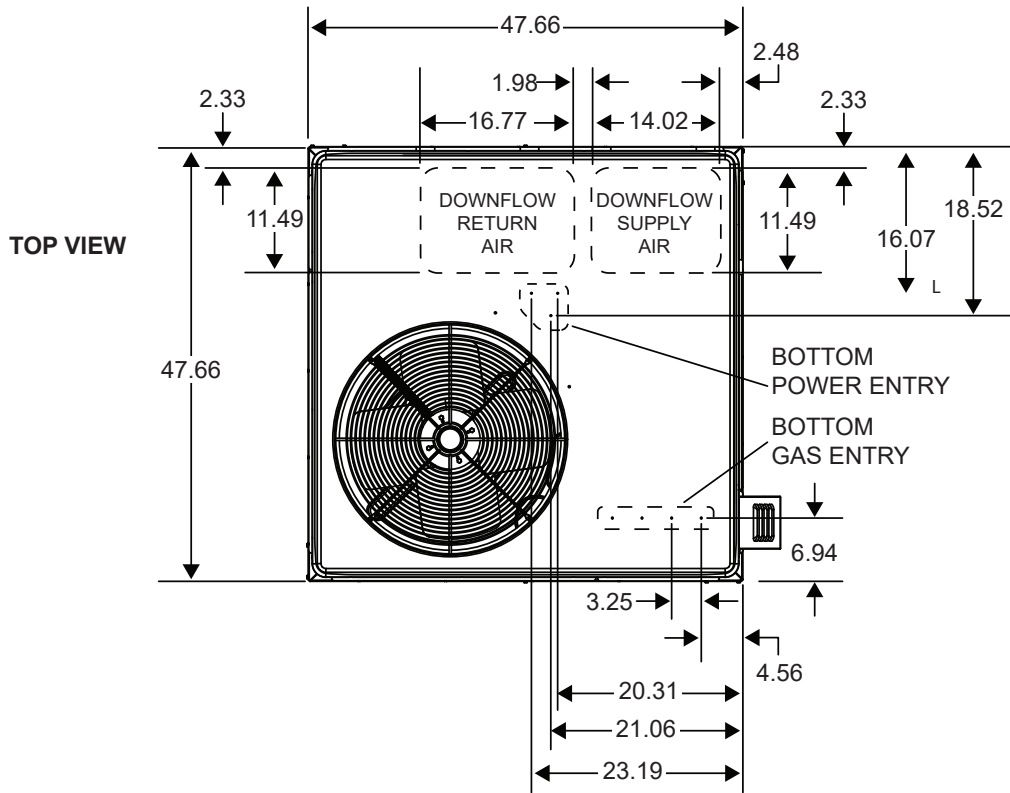
BLOWER PERFORMANCE

Model	Blower Tap		SCFM @ External Static Pressure (in w.c.) - No filter, Dry Coil						
			0.1	0.2	0.3	0.4	0.5	0.6	
PRPGN1424	Tap 1	Fan Only	640	590	545	495	445	385	
	Tap 2	Cooling (Low Static)	820	785	750	715	675	635	
	Tap 3	Cooling (High Static)	920	880	855	825	790	755	
	Tap 4	Heating (Low Static)	SCFM	925	890	865	830	795	765
			Rise	44	46	47	49	51	53
	Tap 5	Heating (High Static)	SCFM	1005	970	940	910	880	855
Rise			41	42	43	45	46	48	
PRPGN1430	Tap 1	Fan Only	670	625	580	535	490	440	
	Tap 2	Cooling (Low Static)	1020	985	955	920	890	860	
	Tap 3	Cooling (High Static)	1125	1090	1055	1025	995	970	
	Tap 4	Heating (Low Static)	SCFM	935	895	860	835	800	765
			Rise	44	45	47	49	51	53
	Tap 5	Heating (High Static)	SCFM	1020	990	955	925	895	865
Rise			40	41	43	44	46	47	
PRPGN1436	Tap 1	Fan Only	795	745	700	645	590	525	
	Tap 2	Cooling (Low Static)	1250	1215	1180	1145	1115	1085	
	Tap 3	Cooling (High Static)	1320	1290	1250	1225	1200	1170	
	Tap 4	Heating (Low Static)	SCFM	935	890	855	815	770	725
			Rise	44	46	48	50	53	56
	Tap 5	Heating (High Static)	SCFM	1050	1010	970	935	895	860
Rise			39	40	42	44	46	47	
PRPGN1442	Tap 1	Fan Only	775	700	615	535	470	390	
	Tap 2	Cooling (Low Static)	1460	1420	1380	1340	1300	1255	
	Tap 3	Cooling (High Static)	1555	1525	1480	1445	1400	1365	
	Tap 4	Heating (Low Static)	SCFM	1410	1370	1325	1285	1240	1200
			Rise	39	40	41	42	44	45
	Tap 5	Heating (High Static)	SCFM	1535	1495	1555	1415	1375	1335
Rise			35	36	37	38	39	41	
PRPGN1448	Tap 1	Fan Only	1065	1020	965	910	850	790	
	Tap 2	Cooling (Low Static)	1665	1630	1595	1560	1530	1490	
	Tap 3	Cooling (High Static)	1740	1705	1670	1635	1595	1545	
	Tap 4	Heating (Low Static)	SCFM	1405	1370	1325	1290	1245	1205
			Rise	39	40	41	42	44	45
	Tap 5	Heating (High Static)	SCFM	1515	1480	1440	1405	1370	1325
Rise			36	37	38	39	40	41	
PRPGN1460	Tap 1	Fan Only	1240	1190	1125	1060	995	940	
	Tap 2	Cooling (Low Static)	1885	1840	1800	1755	1715	1675	
	Tap 3	Cooling (High Static)	1955	1915	1870	1835	1790	1760	
	Tap 4	Heating (Low Static)	SCFM	1420	1365	1315	1265	1215	1155
			Rise	38	40	41	43	45	47
	Tap 5	Heating (High Static)	SCFM	1570	1520	1470	1420	1370	1320
Rise			35	36	37	38	40	41	

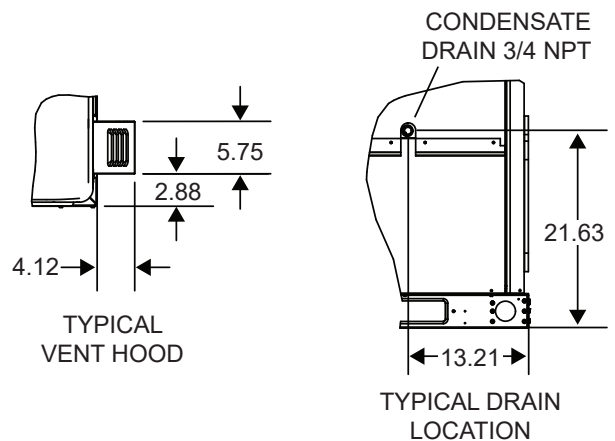
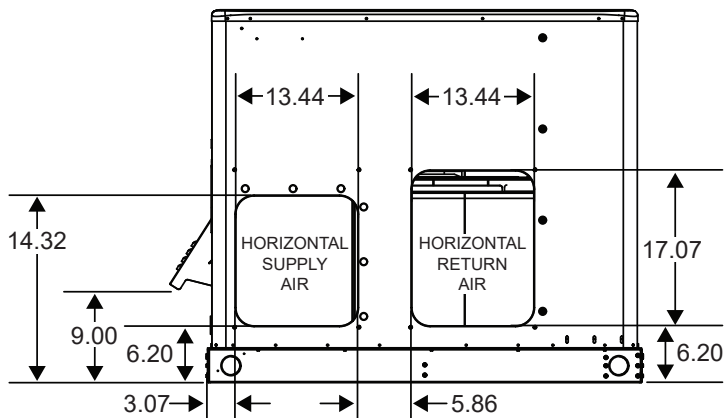
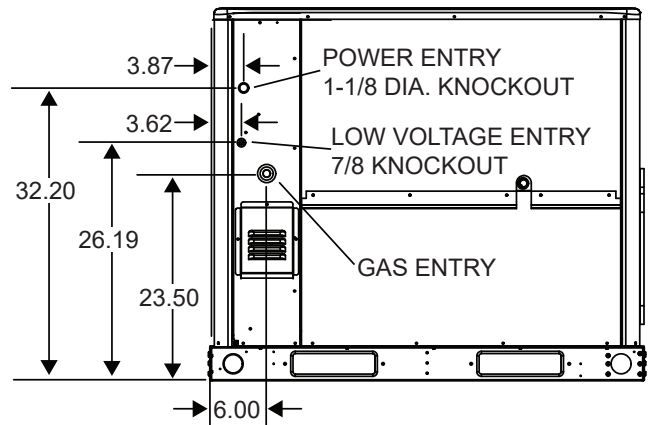
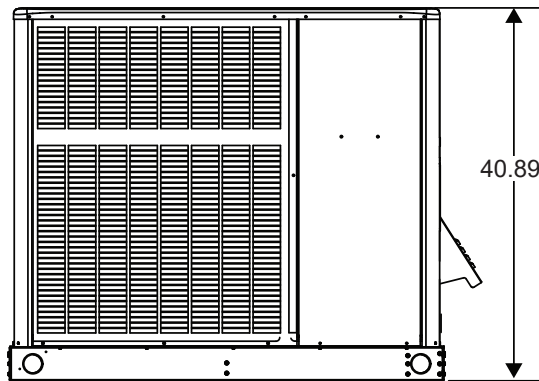
COOLING PERFORMANCE - EXTENDED RATINGS

Outdoor Model	Indoor Temp DB/WB °F	Outdoor Temperature - DB °F														
		65°			82° / 67°			95° / 75°			105° / 85°			115° / 95°		
		Btuh	S/T	kW	Btuh	S/T	kW	Btuh	S/T	kW	Btuh	S/T	kW	Btuh	S/T	kW
PRPGN1424	85 / 72	30,600	0.65	1.33	27,700	0.68	1.65	24,700	0.70	1.88	23,100	0.72	2.06	22,500	0.75	2.26
	80 / 67	27,900	0.71	1.35	25,500	0.74	1.65	22,600	0.77	1.88	21,200	0.79	2.06	20,700	0.82	2.25
	75 / 63	26,000	0.74	1.36	23,800	0.77	1.65	21,000	0.79	1.87	20,700	0.82	2.05	19,300	0.84	2.23
	75 / 57	23,800	1	1.39	22,100	1	1.64	20,700	1	1.87	19,600	1	2.04	18,500	1.00	2.22
PRPGN1430	85 / 72	38,200	0.68	1.83	34,700	0.71	2.16	32,000	0.74	2.42	30,500	0.74	2.6	29,000	0.78	2.86
	80 / 67	35,200	0.75	1.76	32,300	0.78	2.11	28,400	0.75	2.34	28,100	0.84	2.57	25,100	0.8	2.74
	75 / 63	33,000	0.77	1.71	30,400	0.8	2.06	27,700	0.8	2.31	25,900	0.82	2.51	24,100	0.84	2.72
	75 / 57	29,900	1	1.66	28,300	1	2.01	26,600	1	2.29	25,200	1	2.49	23,700	1	2.7
PRPGN1436	85 / 72	45,800	0.68	2.09	41,700	0.72	2.49	37,600	0.73	2.82	35,400	0.74	3.1	32,400	0.75	3.39
	80 / 67	40,800	0.75	2.1	38,500	0.75	2.51	34,400	0.79	2.81	33,200	0.84	3.09	30,500	0.85	3.38
	75 / 63	38,100	0.76	2.11	36,000	0.77	2.51	32,300	0.81	2.80	30,500	0.84	3.08	28,400	0.87	3.37
	75 / 57	35,200	1	2.14	33,600	1	2.5	30,700	1	2.80	29,200	1	3.07	27,400	1	3.36
PRPGN1442	85 / 72	54,500	0.67	2.51	48,900	0.71	2.9	45,700	0.73	3.28	44,200	0.74	3.64	42,800	0.75	4.08
	80 / 67	50,100	0.74	2.52	45,100	0.78	2.91	40,000	0.77	3.28	38,400	0.79	3.64	35,700	0.8	4.05
	75 / 63	46,800	0.76	2.52	42,700	0.8	2.91	38,800	0.81	3.29	36,300	0.82	3.65	33,500	0.83	4.06
	75 / 57	42,500	1	2.53	39,700	1	2.93	37,100	1	3.3	35,100	1	3.66	33,100	1	4.07
PRPGN1448	85 / 72	59,400	0.69	2.78	53,900	0.72	3.29	49,700	0.72	3.6	47,100	0.75	4.09	43,600	0.75	4.48
	80 / 67	54,600	0.75	2.8	49,900	0.77	3.3	46,000	0.80	3.71	42,900	0.8	4.07	40,000	0.81	4.47
	75 / 63	50,700	0.76	2.82	46,700	0.79	3.3	43,300	0.82	3.7	40,400	0.82	4.06	38,100	0.86	4.47
	75 / 57	47,200	1	2.83	43,800	1	3.29	41,000	1	3.7	39,000	1	4.06	36,900	1	4.47
PRPGN1460	85 / 72	70,300	0.63	3.5	66,100	0.64	4.19	62,800	0.65	4.72	59,200	0.7	5.27	55,500	0.76	5.82
	80 / 67	65,700	0.69	3.47	61,000	0.71	4.08	57,400	0.73	4.69	54,300	0.78	5.24	51,200	0.83	5.78
	75 / 63	61,400	0.72	3.45	56,300	0.74	4.12	52,300	0.76	4.63	50,200	0.8	5.19	48,000	0.85	5.75
	75 / 57	54,500	1	3.42	50,100	1	4.09	50,100	1	4.09	46,700	1	5.17	45,900	1	5.73

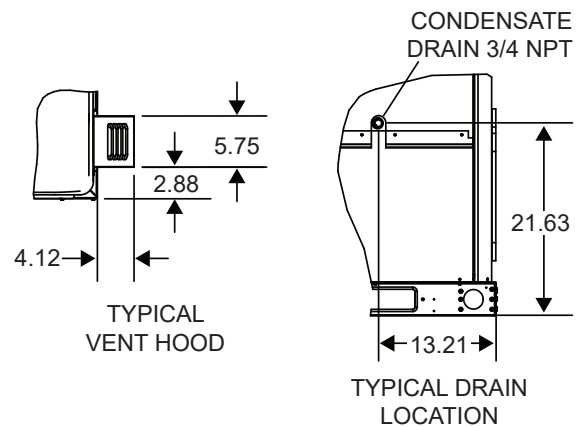
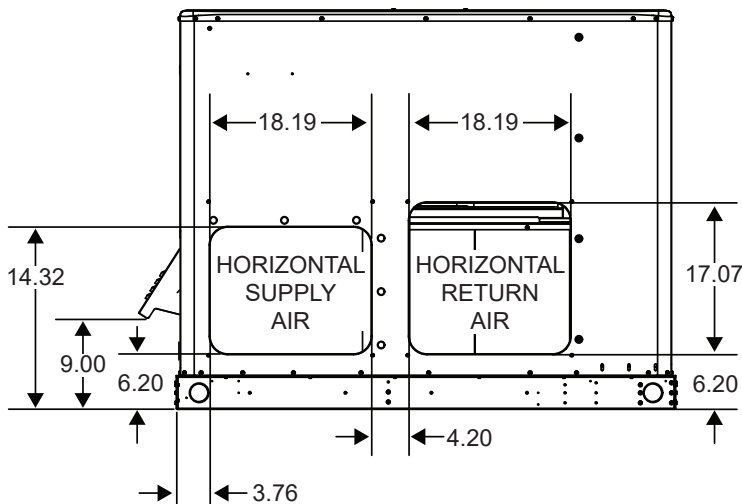
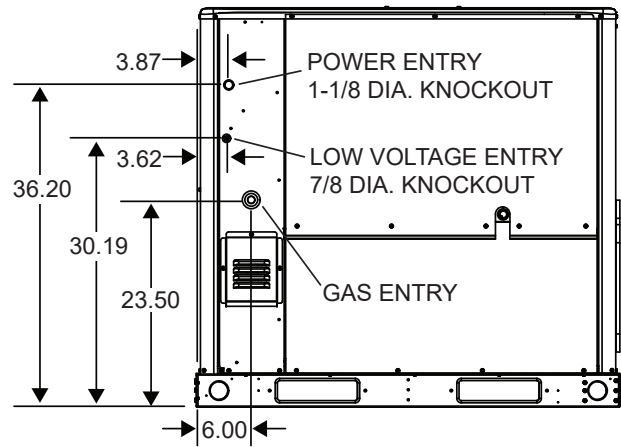
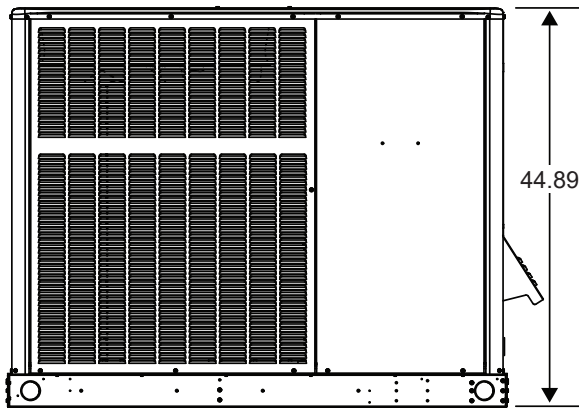
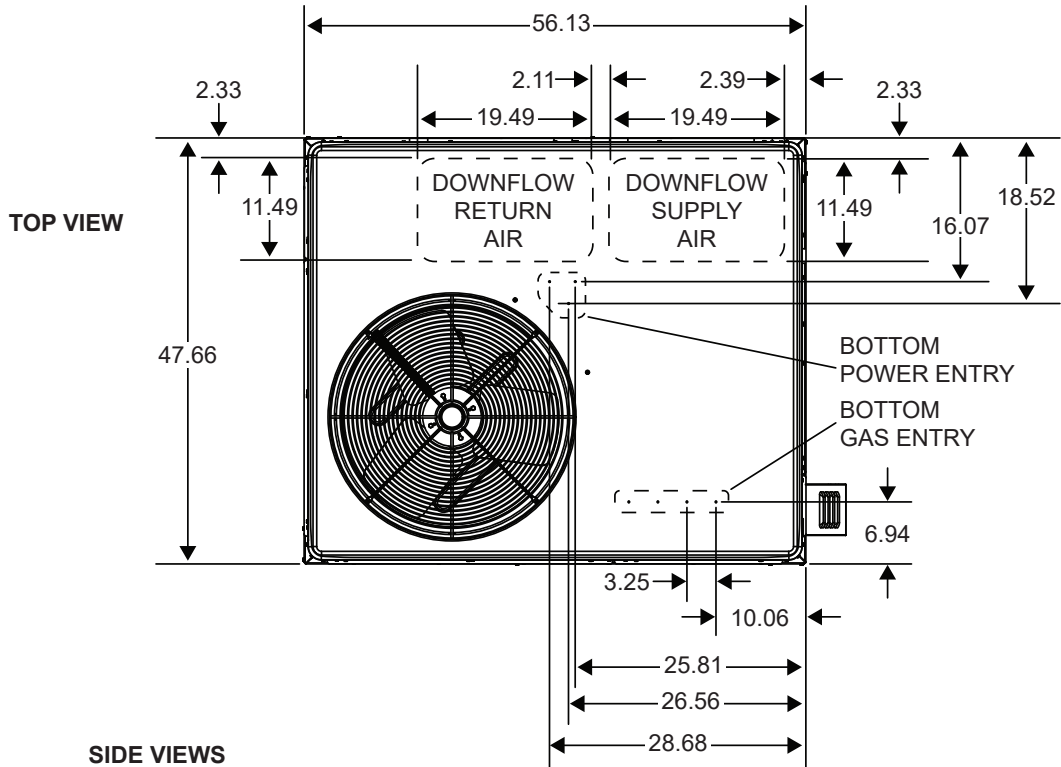
DIMENSIONS (IN.) - SMALL BASE



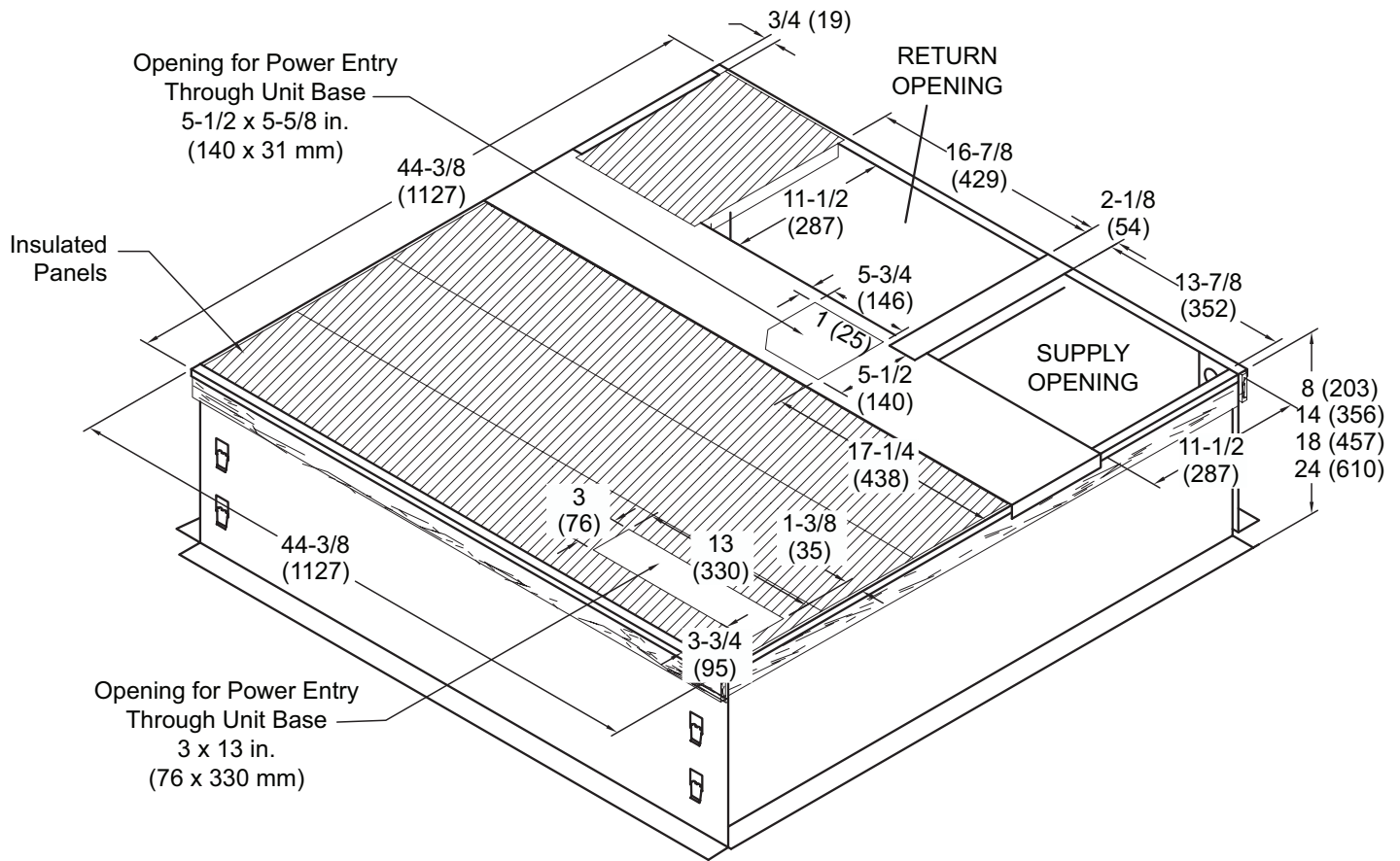
SIDE VIEWS



DIMENSIONS (IN.) - LARGE BASE



ROOF CURB DIMENSIONS - SMALL BASE



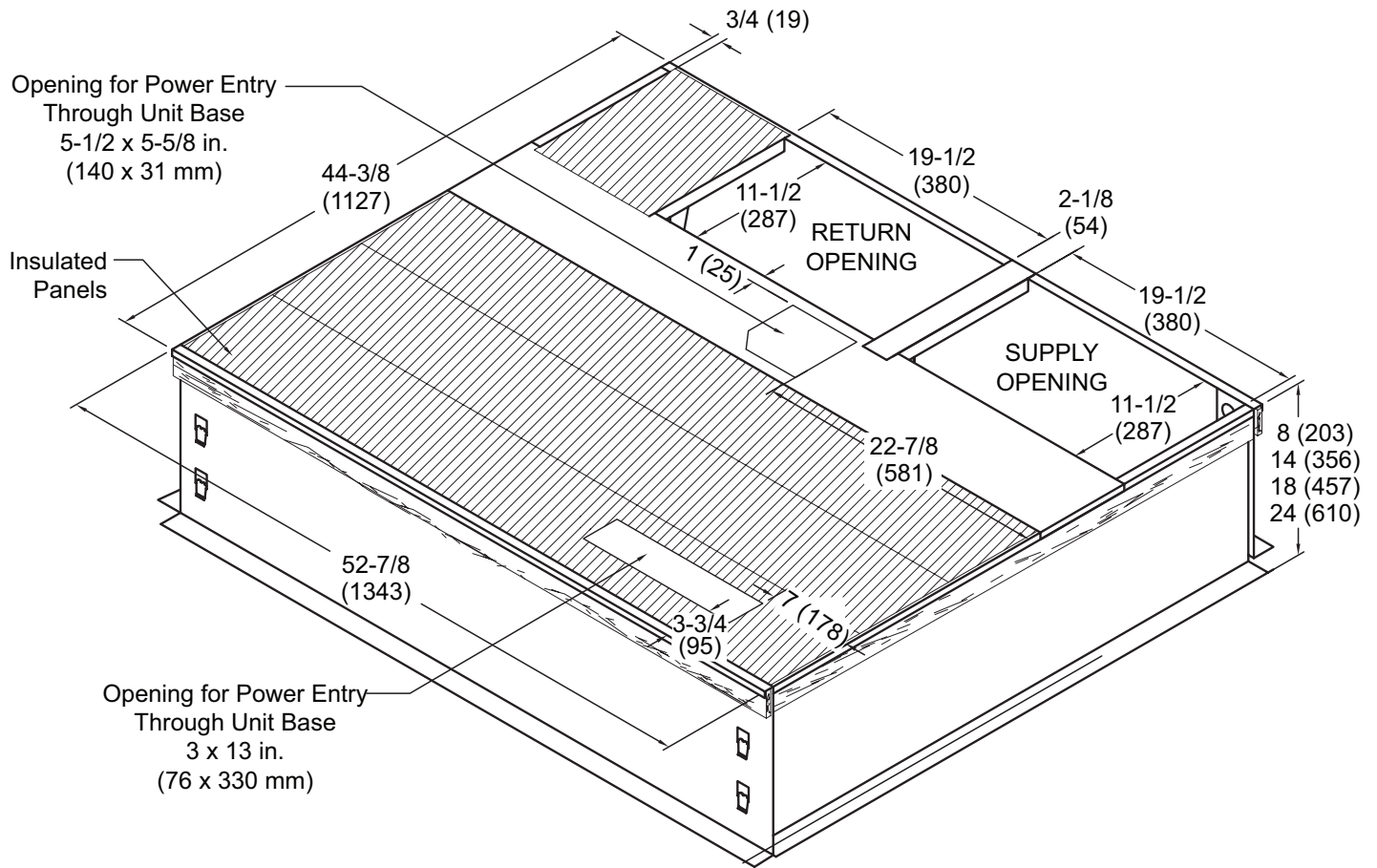
NOTE - If bottom entry is used, condensate from the heat exchanger may leak during warm ambient temperatures in humid climates. Ensure that bottom entry is watertight, if used.

NOTE - Roof deck may be omitted within confines of curb.

NOTE - All Curbs::

- IBC 2018 compliant
- CBC 2019 compliant
- Seismic rating - SDS 2.0g, z/h=1, Ip=1.5
- Wind rating - 240 mph (Lateral), 214 mph (Uplift)
- Maximum load rating - 800 lbs.
- Tool-less filter access panels NOT for seismic-rated applications

ROOF CURB DIMENSIONS - LARGE BASE



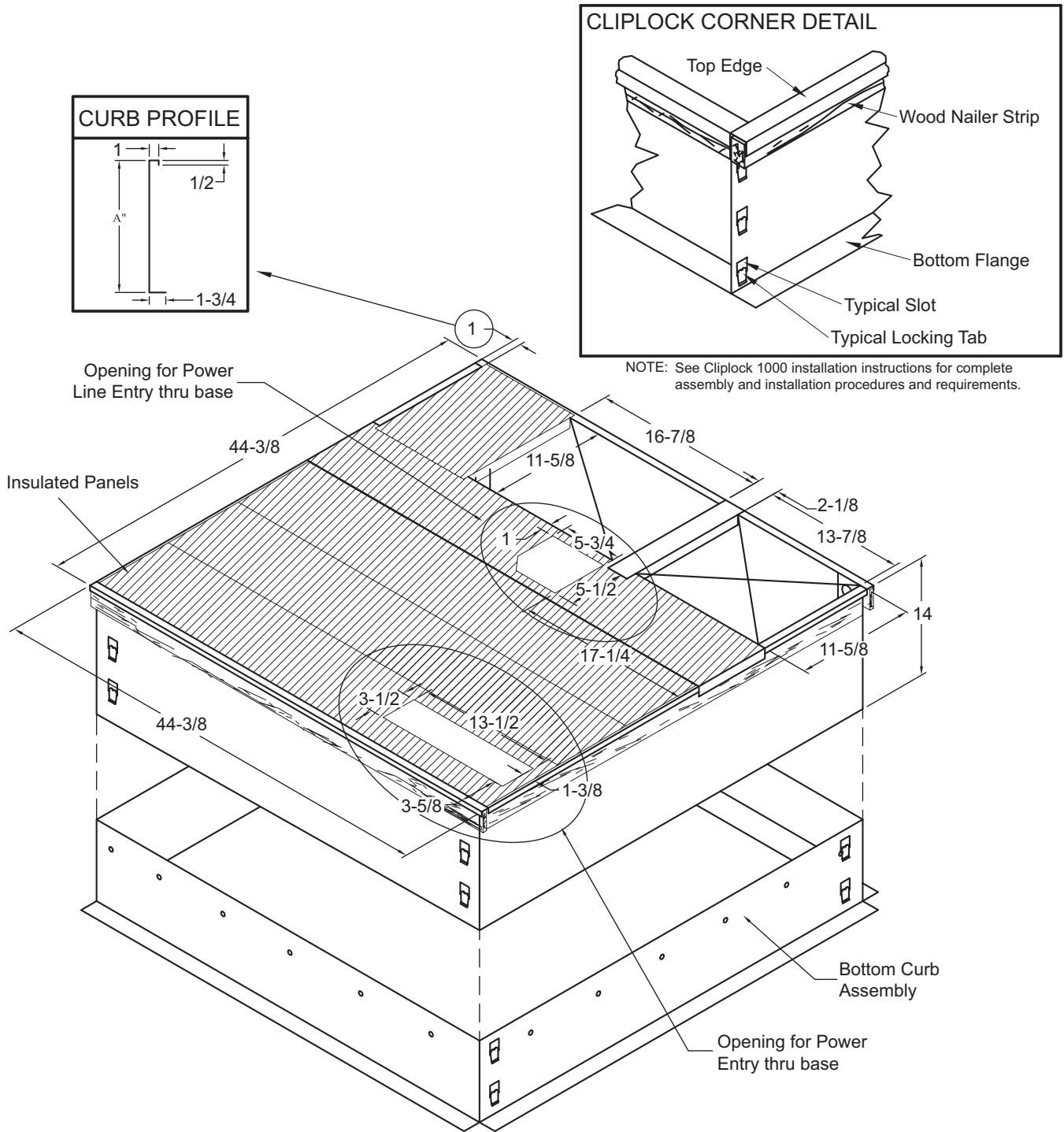
NOTE - If bottom entry is used, condensate from the heat exchanger may leak during warm ambient temperatures in humid climates. Ensure that bottom entry is watertight, if used.

NOTE - Roof deck may be omitted within confines of curb.

NOTE - All Curbs::

- IBC 2018 compliant
- CBC 2019 compliant
- Seismic rating - SDS 2.0g, z/h=1, Ip=1.5
- Wind rating - 240 mph (Lateral), 214 mph (Uplift)
- Maximum load rating - 800 lbs.
- Tool-less filter access panels NOT for seismic-rated applications

ADJUSTABLE CURB (KNOCK-DOWN STYLE) DIMENSIONS - SMALL BASE



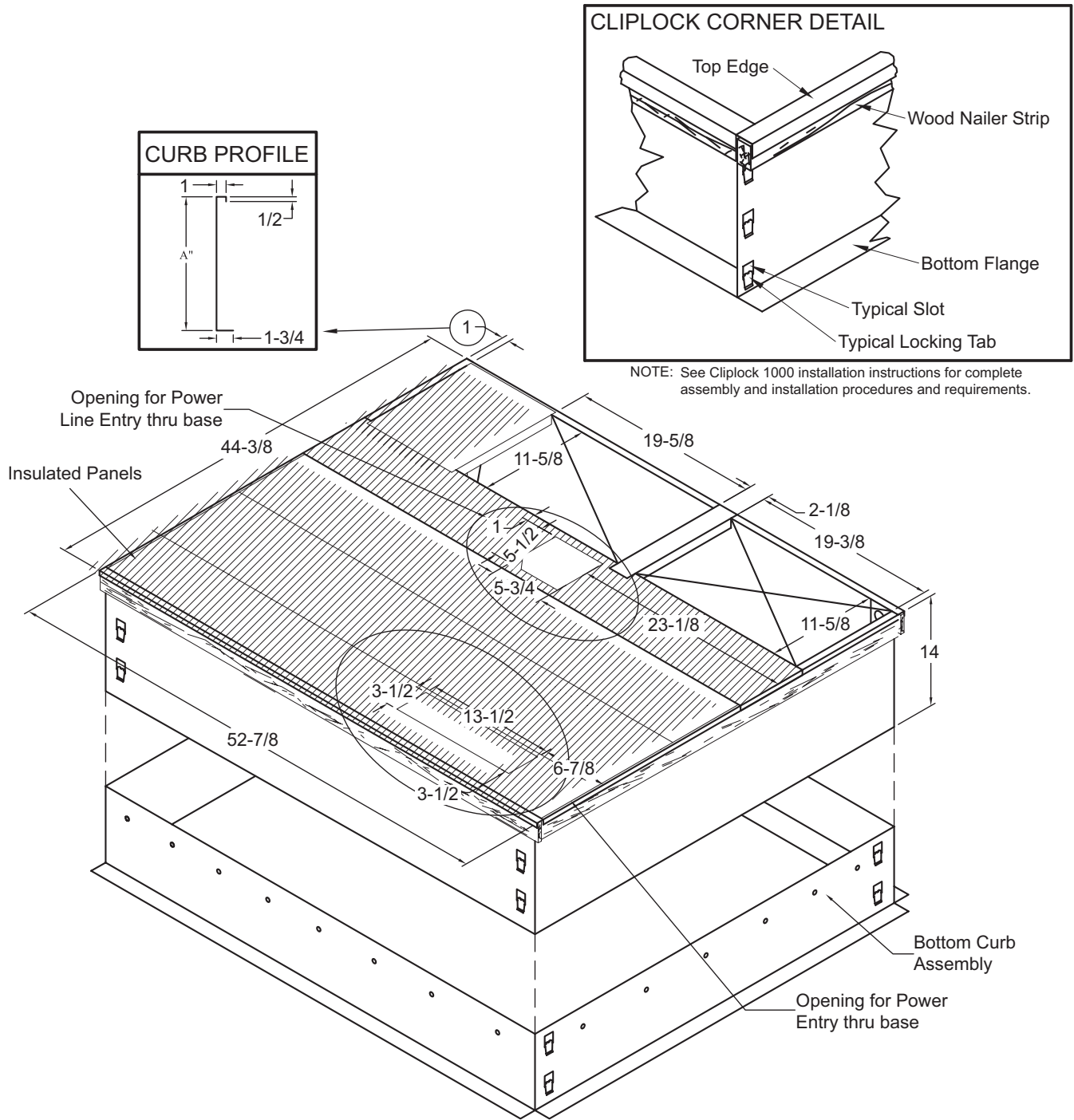
NOTE - If bottom entry is used, condensate from the heat exchanger may leak during warm ambient temperatures in humid climates. Ensure that bottom entry is watertight, if used.

NOTE - Roof deck may be omitted within confines of curb.

NOTE - All Curbs::

- IBC 2018 compliant
- CBC 2019 compliant
- Seismic rating - SDS 2.0g, z/h=1, Ip=1.5
- Wind rating - 240 mph (Lateral), 214 mph (Uplift)
- Maximum load rating - 800 lbs.
- Tool-less filter access panels NOT for seismic-rated applications

ADJUSTABLE CURB (KNOCK-DOWN STYLE) DIMENSIONS - LARGE BASE



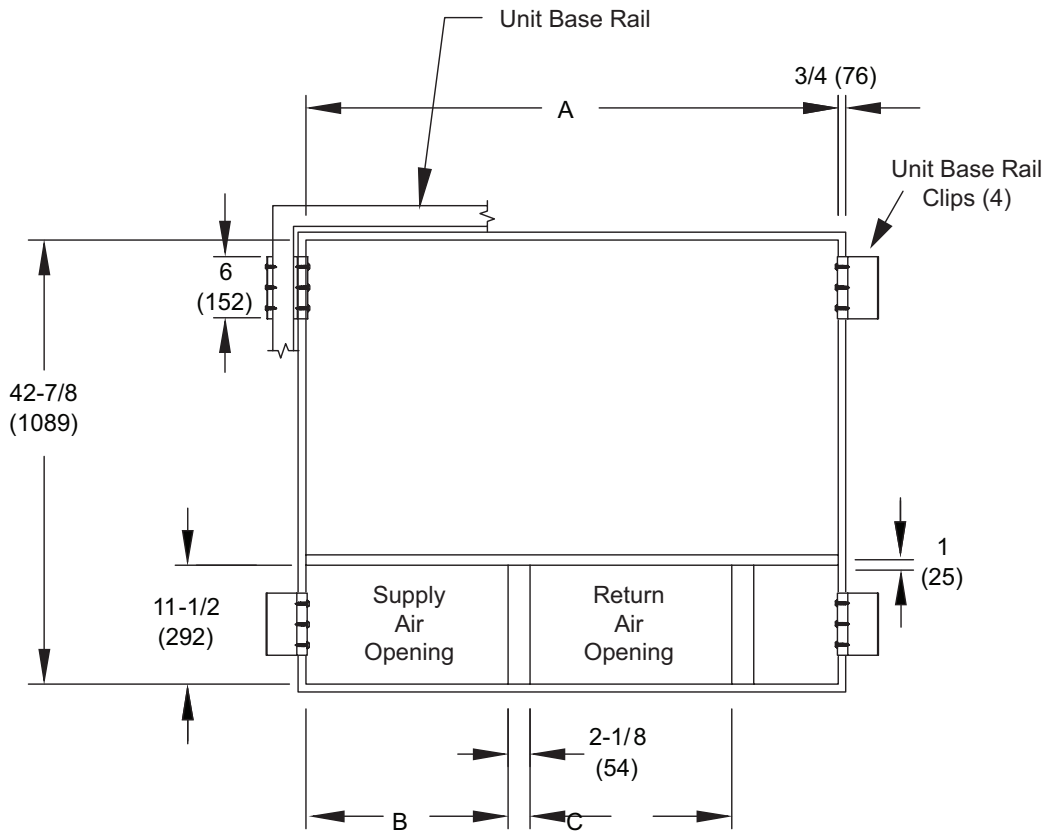
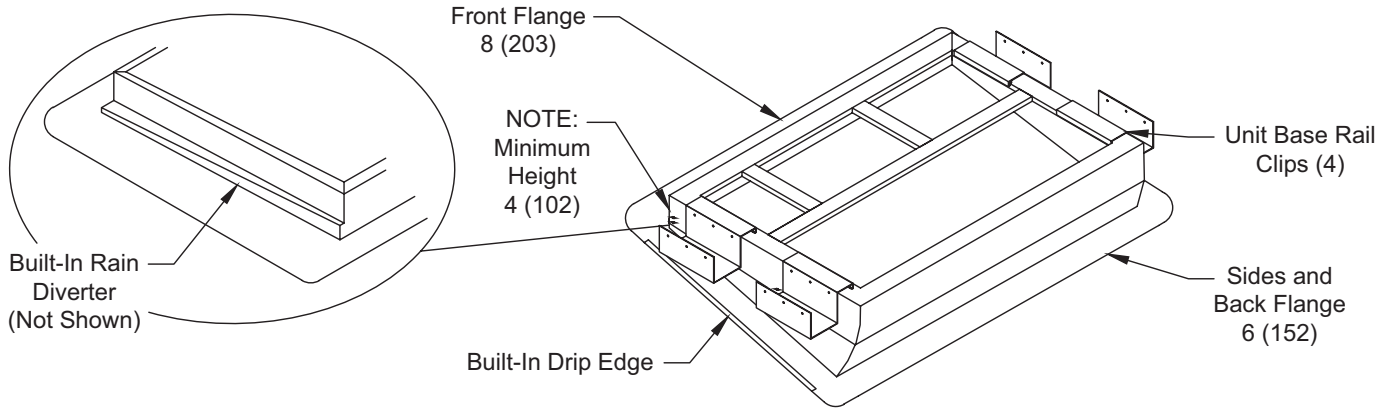
NOTE - If bottom entry is used, condensate from the heat exchanger may leak during warm ambient temperatures in humid climates. Ensure that bottom entry is watertight, if used.

NOTE - Roof deck may be omitted within confines of curb.

NOTE - All Curbs::

- IBC 2018 compliant
- CBC 2019 compliant
- Seismic rating - SDS 2.0g, z/h=1, Ip=1.5
- Wind rating - 240 mph (Lateral), 214 mph (Uplift)
- Maximum load rating - 800 lbs.
- Tool-less filter access panels NOT for seismic-rated applications

ADJUSTABLE CURB (WELDED STYLE) DIMENSIONS



Usage	A		B		C	
	in.	mm	in.	mm	in.	mm
24,30,36	42-7/8	1089	13-7/8	352	16-7/8	429
42,48,60	51-3/8	1305	19-1/2	495	19-1/2	495

ACCESSORIES

Description	Where Used	Kit Number
Compressor Crankcase Heater	36, 42, 48, 60	11X27
Compressor Hard Start Kit	24, 30, 36, 60	10J42
	42, 48	88M91
Compressor Timed-Off Control	All	47J28
Low Ambient Kit	All	21D20
Internal Filter Rack Kit	24, 30, 36	11U73
	42, 48, 60	11U74
8" Height Full Perimeter Curb	24, 30, 36	21J13
	42, 48, 60	21J17
14" Height Full Perimeter Curb	24, 30, 36	21J14
	42, 48, 60	21J19
18" Height Full Perimeter Curb	24, 30, 36	21J15
	42, 48, 60	21J20
24" Height Full Perimeter Curb	24, 30, 36	21J16
	42, 48, 60	21J25
Adjustable Pitch Roof Curb (Knock-Down Style)	24, 30, 36	21J26
	42, 48, 60	21U04
Adjustable Pitch Roof Curb (Welded Style)	24, 30, 36	22V54
	42, 48, 60	22V55
Strapping Kit - Hurricane	All	21J74
Strapping Kit - Seismic	All	21J75
Duct Adapter Kit - Horizontal	24, 30, 36	21J92
	42, 48, 60	21D24
Duct Adapter Kit - Downflow	24, 30, 36	20X82
	42, 48, 60	21D26
Bottom Power Entry Kit	All	21J78
Bottom Gas Entry Kit	All	21D34
Base Rail Openings - Closure Kit	All	21J84



1-800-448-5872

All specifications and illustrations subject to change without notice and without incurring obligations.