



Unwind™

67" x 32" seamless oval freestanding bath
96130

Features

- Freestanding design creates a striking focal point in your bathing area.
- Oval basin creates a spacious bathing experience.
- Center toe-tap drain.
- Integral lumbar support on both ends.
- Built-in integral overflow.
- 4.5" drain-to-floor clearance for above-floor drain installation.

Material

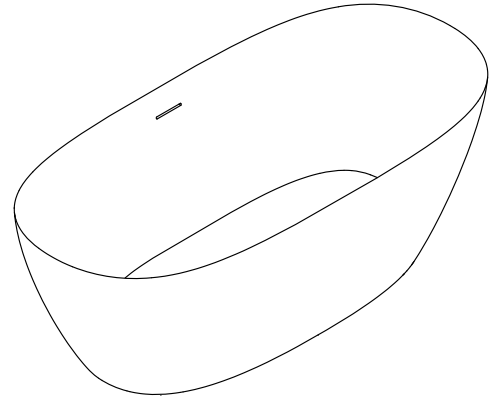
- Acrylic.

Installation

- Freestanding.
- Above-floor drain (AFD) rough-in.
- Concealed adjustable legs make leveling during installation easy.

Included Components

Additional Components:
1381626-0



Codes/Standards

CSA B45.5/IAPMO Z124
ASTM E162
ASTM E662

Warranty – Bathing Fixtures (and) Kitchen and Utility Sinks Made of Solid Vikrell® Material

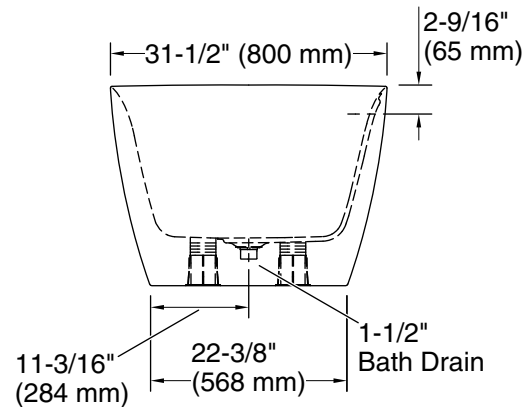
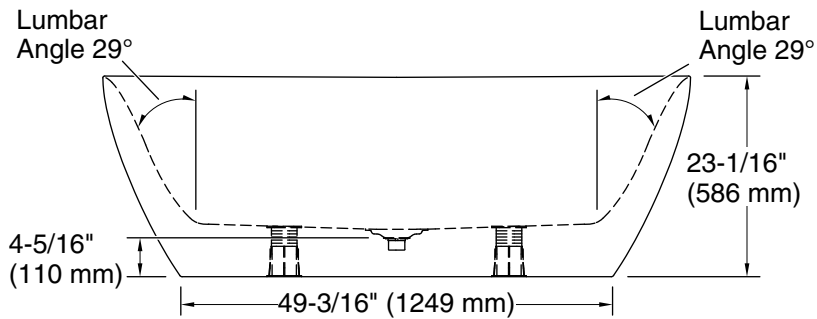
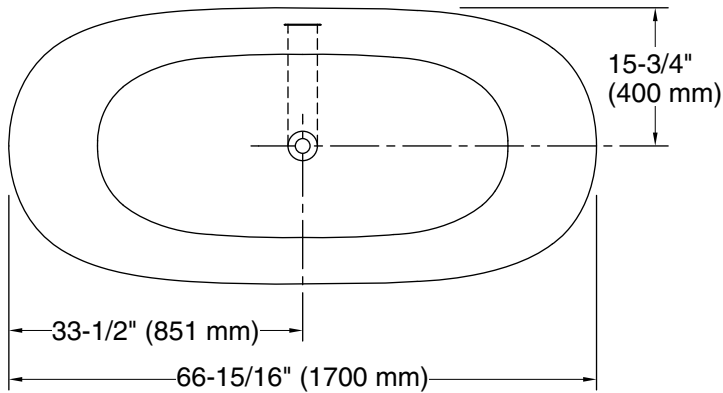
See website for detailed warranty information.

Available Colors/Finishes

Color tiles intended for reference only.

Color	Code	Description
-------	------	-------------

	0	White
---	---	-------



Technical Information

All product dimensions are nominal.

Installation:	Freestanding
Drain location:	Center
Basin area, bottom:	43-11/16" x 16-5/8" (1110 mm x 422 mm)
Basin area, top:	66-3/8" x 30-13/16" (1687 mm x 783 mm)
Water depth:	14-1/2" (369 mm)
Water capacity:	69.29 gal (262.3 L)

Notes

Install this product according to the installation instructions.

Measure your actual product for roughing-in details.

The hot water supply should be 70% of the capacity of the bath or greater. Installations will vary.

Do not support the load weight of the bath by the rim.