

quality . service  
innovation . integrity

# Model 72



## Features

This "Aqua-Mate" model submersible pump is designed for use in residential or light commercial dewatering applications and can be used to transfer groundwater and effluent. The inner stainless steel can is designed to provide great heat dissipation from the motor, ensuring a long service life. As with every Zoeller pump, each one is 100% pressure-tested, submerged and run to ensure quality and reliability for years of trouble-free performance! This attention to detail is an inherent feature of every pump, making it one of the most reliable in the industry.

- Automatic units include a float-operated, 2-pole mechanical switch, a plastic float guard, a stainless steel switch arm, and a solid, buoyant polypropylene float, which prevents water from filling the float and causing a malfunction.
- For nonautomatic units, variable level control systems and containers of various sizes are available for longer cycles.
- Includes a plastic handle for easy installation and removal.
- Hermetically sealed to be watertight, dust-tight, and completely submersible.

Reserve Powered Design: For unusual conditions, a reserve safety factor is engineered into the design of every pump.

## Specifications

### Motor Characteristics

|            |                           |
|------------|---------------------------|
| Motor      | 3/10 HP                   |
| Voltage    | 115 V                     |
| Phase      | 1 Ph                      |
| Hertz      | 60 Hz                     |
| RPM        | 3450 RPM                  |
| Type       | Permanent split capacitor |
| Insulation | Class B                   |
| Amps       | 3.1 Amps                  |

### Pump Characteristics

|                     |                                    |
|---------------------|------------------------------------|
| Operation           | Automatic or nonautomatic          |
| Auto On/ Off Points | 7-3/8" / 3-5/8" (18.7 cm / 9.2 cm) |
| Discharge Size      | 1-1/2" NPT                         |
| Solids Handling     | 3/8" (9 mm) spherical solids       |
| Cord Length         | 9' (3 m) standard                  |
| Cord Type           | UL listed cord with 3-prong plug   |
| Max Head            | 18' (5.5 m)                        |
| Max Flow Rate       | 38 GPM (144 LPM)                   |
| Max Operating Temp  | 110 °F (43 °C)                     |
| Cooling             | Oil free                           |
| Motor Protection    | Auto reset thermal overload        |

### Materials Characteristics

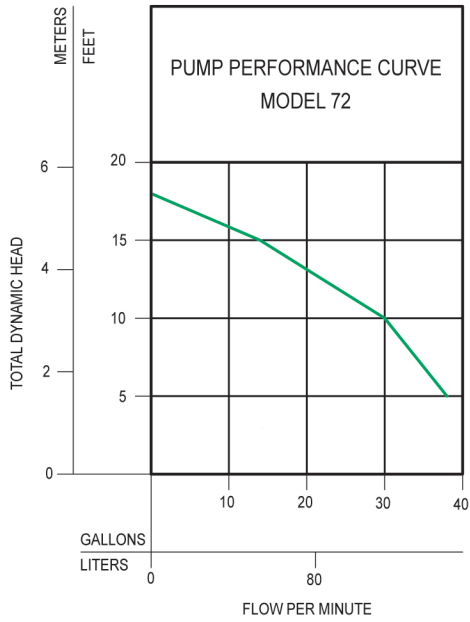
|                  |                       |
|------------------|-----------------------|
| Motor Housing    | Engineered plastic    |
| Pump Housing     | Engineered plastic    |
| Base             | Engineered plastic    |
| Upper Bearing    | Ball bearing          |
| Lower Bearing    | Ball bearing          |
| Mechanical Seals | Carbon and ceramic    |
| Impeller Type    | Non-clogging vortex   |
| Impeller         | Engineered plastic    |
| Hardware         | Stainless steel       |
| Motor Shaft      | 42OJ2 stainless steel |
| Gasket           | NBR                   |



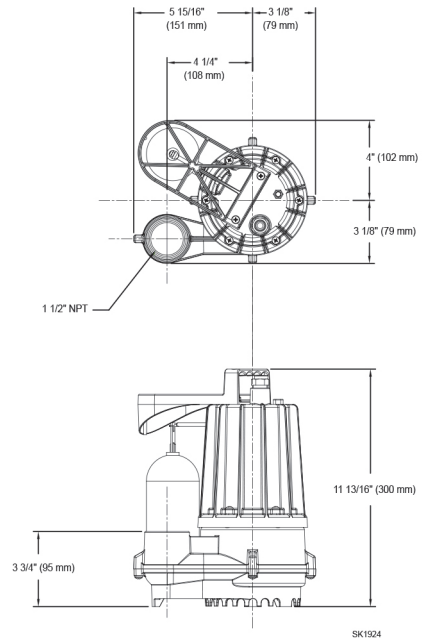
**PUMP COMPANY**

Zoeller Family of Water Solutions™

# Model 72



012051



## Model

| Model Number | Seal   | Mode | Volts | Phase | Amps | HP   | Hz | Lbs | Kg  |
|--------------|--------|------|-------|-------|------|------|----|-----|-----|
| M72          | Single | Auto | 115   | 1     | 3.1  | 3/10 | 60 | 9.5 | 4.3 |
| N72          | Single | Non  | 115   | 1     | 3.1  | 3/10 | 60 | 9.5 | 4.3 |
| BN72         | Single | Non  | 115   | 1     | 3.1  | 3/10 | 60 | 9.5 | 4.3 |

**Your Peace of Mind is Our Top Priority®**  
3649 Cane Run Rd | Louisville, KY 40211 USA

+1 502-778-2731 | 1-800-928-7867 | Fax: +1 502-774-3624

[www.zoeller.com](http://www.zoeller.com)