

**PRODUCT SPECIFICATIONS**

Dayton 2" Stainless Steel Drain with Removable Basket Strainer and Rubber Stopper. Overall dimensions are 2-7/8" x 2-7/8" x 1-1/2". Made of Stainless Steel.

|                         |                          |
|-------------------------|--------------------------|
| <b>Material:</b>        | Stainless Steel          |
| <b>Finish:</b>          | Polished Stainless Steel |
| <b>Dimensions:</b>      | 2-7/8" x 2-7/8" x 1-1/2" |
| <b>Shipping Weight:</b> | 1 lbs.                   |

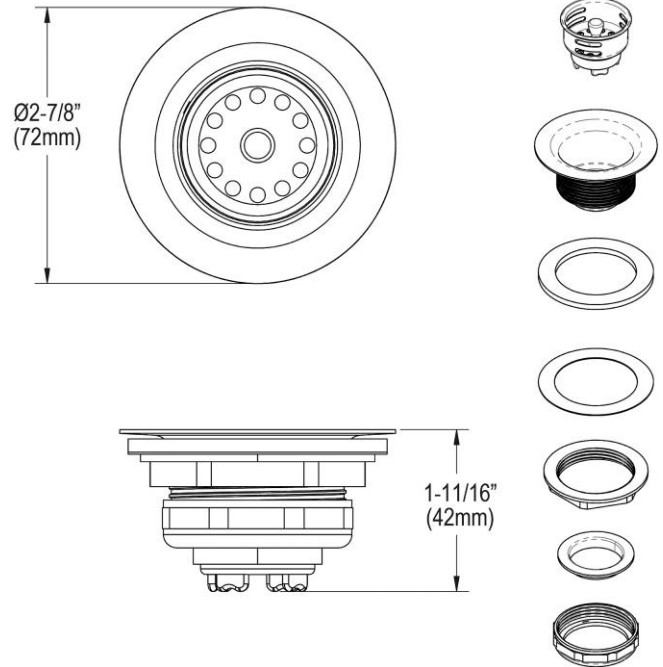
- Strainer basket with metal stem and rubber seal.



AMERICAN PRIDE. A LIFETIME TRADITION.  
Like your family, the Elkay family has values and traditions that endure. For almost a century, Elkay has been a family-owned and operated company, providing thousands of jobs that support our families and communities.

**Product Compliance:** ASME A112.18.2/CSA B125.2

[Clean and Care Manual \(PDF\)](#)  
[Installation Instructions \(PDF\)](#)



PART: \_\_\_\_\_ QTY: \_\_\_\_\_

PROJECT: \_\_\_\_\_

CONTACT: \_\_\_\_\_

DATE: \_\_\_\_\_

NOTES: \_\_\_\_\_

APPROVAL: \_\_\_\_\_

*In keeping with our policy of continuing product improvement, Elkay reserves the right to change product specifications without notice. Please visit [elkay.com](http://elkay.com) for the most current version of Elkay product specification sheets. This specification describes an Elkay product with design, quality, and functional benefits to the user. When making a comparison of other producers' offerings, be certain these features are not overlooked.*