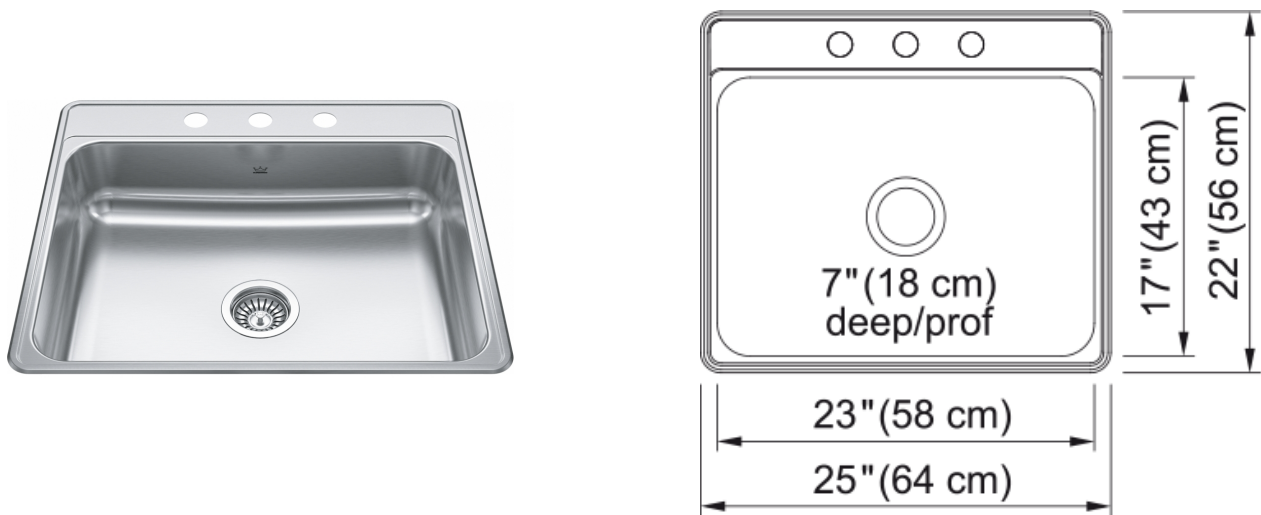


Creemore Drop In Sink - CSLA2522-7-3N | 101.0632.984



Creemore 25-in x 22-in Drop In Single Bowl 3-Hole Stainless Steel Kitchen Sink. Real life meets real simplicity with EZ Torque installation on these Creemore sinks. Our revolutionary installation system lets you drop and drill your sink into place, securely locking the sink to the countertop. Easier installation means enjoying your kitchen sooner. Made from sturdy 22-gauge stainless steel with a pore-free surface that does not harbor bacteria, it is naturally hygienic and easy to clean. Sound-reducing pads are placed at key points to help absorb the sounds from water splashing. The stylish and functional design joins impressively in transitional and contemporary kitchens.

Aspect

Sink type	Sink
Type of material	Stainless steel
Number of bowls	1
Color	Steel
Surface finish	Silk

Product Dimensions

Length (right to left)	25
Width (front to back)	22
Large bowl size: right to left	23
Large bowl size: front to back	17
Large bowl: depth	7

Installation

Minimum cabinet size	27"
----------------------	-----

Product specifications

Installation type	Topmount / drop in
Drain hole	3 1/2"
Position of drainer	No drainer

Product identification

Product brand	Kindred
Collection	Creemore
Certified by	IAPMO

Features

Drainers number	No drainer
Product reversibility	No
Faucet ledge	Yes

Strainer assembly included	No
Strainer Assembly	No waste kit
Overflow	No
Number of faucet holes	3
Soap dispenser hole	Yes