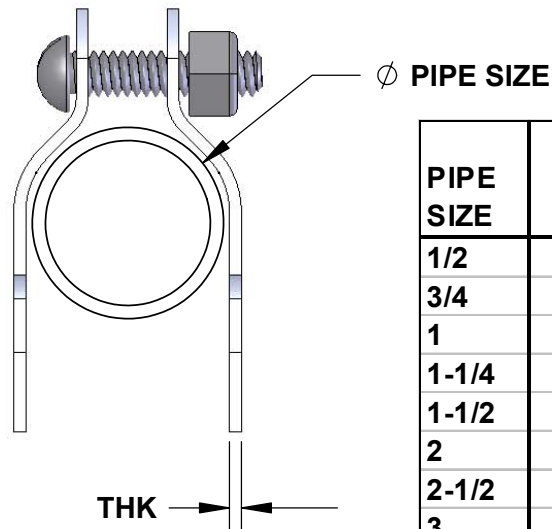
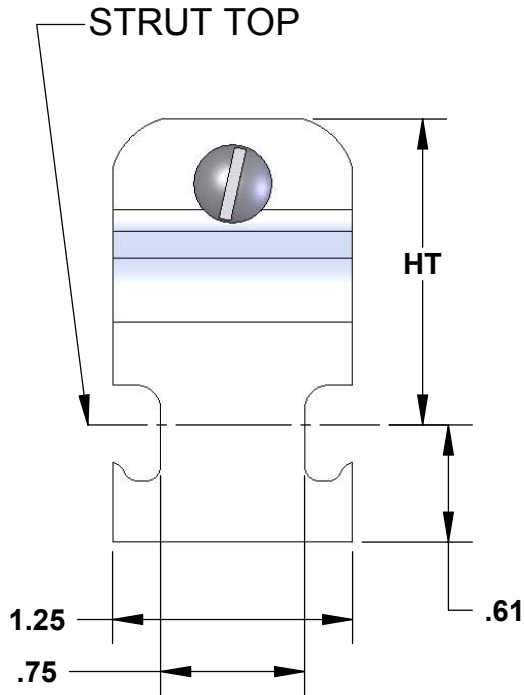
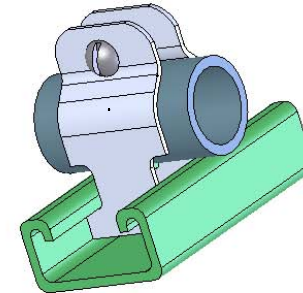


THE INFORMATION CONTAINED IN THIS DRAWING IS THE SOLE PROPERTY OF GREENFIELD MFG CO ANY REPRODUCTION IN PART OR WHOLE WITHOUT THE WRITTEN PERMISSION OF GREENFIELD MFG CO IS PROHIBITED.



PIPE SIZE	THK	HT	BOLT & NUT
1/2	16 GA	1.4	1/4 X 1
3/4	16 GA	1.6	1/4 X 1
1	16 GA	1.8	1/4 X 1-1/4
1-1/4	16 GA	2.4	1/4 X 1-1/4
1-1/2	14 GA	2.5	1/4 X 1-1/2
2	14 GA	3.0	1/4 X 1-1/2
2-1/2	12 GA	3.7	5/16 x 1-1/4
3	12 GA	4.4	5/16 x 1-1/4
3-1/2	11 GA	4.9	5/16 x 1-1/4
4	11 GA	5.4	5/16 x 1-1/4

FIG311.SLDDRW

**made in USA**

MATERIAL GALV STEEL		<b>Greenfield Mfg Co</b> 9800 Bustleton Ave, Phila, PA 19115	
FINISH	TOLERANCES XXX XX FR		
		FSCM 98320	FIG. 311