

Saniswift® Pro

COMMERCIAL/RESIDENTIAL DRAIN PUMP

TECHNICAL SPECIFICATIONS

Motor/Electrical:

0.3 HP / 120 V - 60 Hz / 4.5 Amps (Max)

Noise level:

≤ 44 dBA (Lp) (measured at 3 ft.)

Discharge pipe diameter:

1", 1-1/4", 1-1/2"

Discharge rate at 14 ft:

18 GPM

Discharge rate at 3 ft:

24 GPM

Shut-off head:

25 ft.

Weight:

16 lbs

Certifying agencies:

CSA (IPC, NSPC), IAPMO (UPC)



Part#
022

FEATURES

- **Powerful and economical** with a compact quiet design (9 3/4" x 12-1/4" x 11 1/4").
- Pre-assembled system with **2" low inlets with built-in check valves**. Will discharge up to 14 Ft vertically.
- **Superior water detection system (air pressure switch)** giving a longer life expectancy without any maintenance.
- Built with heavy-duty enclosure for **chemical drain resistance and with easy access to major components** while installed.
- **CSA certified & IAPMO listed** for nationwide compliance.



800-571-8191 (USA)
800-363-5874 (CDN)

Saniflo  SFA GROUP

saniflo.com
saniflo.ca

Saniswift® Pro

Part # 022

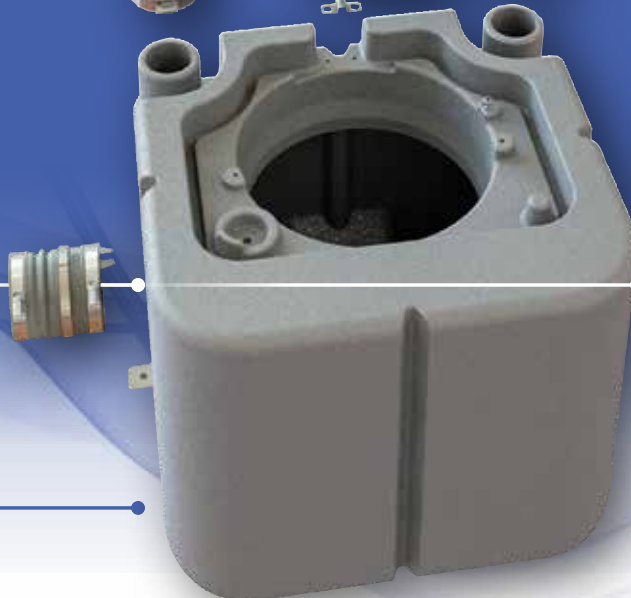
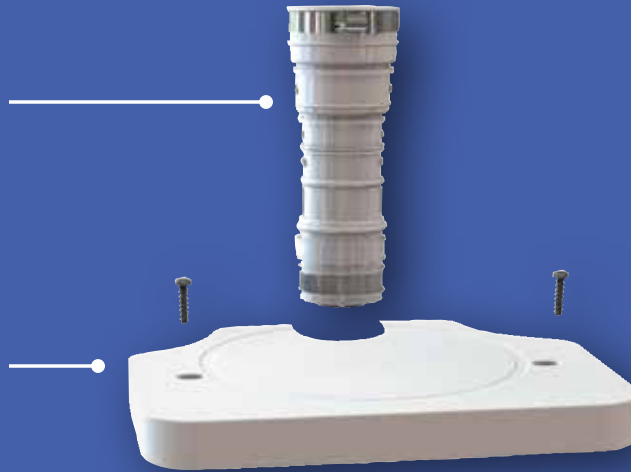
Discharges through
1", 1-1/4" or 1-1/2"
pipe.

**Easy access to
major components.**
No need to remove
or disconnect.

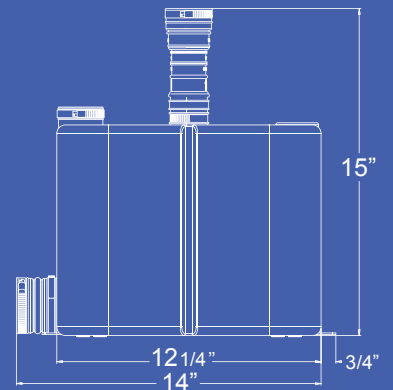
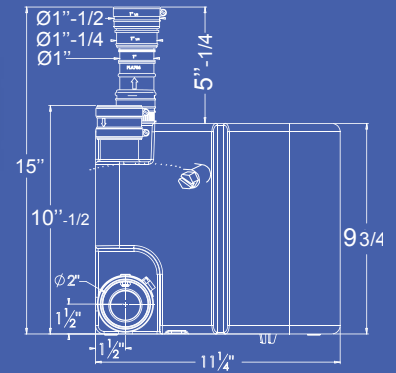
Air pressure switch
activated providing
a **superior water
detection system.**

Heavy-duty
enclosure for
**chemical drain
resistance** and
designed with
2" low inlets
with built-in
check valves.

CSA & IAPMO listed
for **nationwide
compliance.**



DIMENSIONAL DRAWINGS



800-571-8191 (USA)
800-363-5874 (CDN)

Saniflo  SFA GROUP

saniflo.com
saniflo.ca