

### IMPORTANT

Read entire instructions before installing the 3 to 4 WIRE ADAPTER.

### SAFETY CONSIDERATIONS

Read and follow instructions carefully. Follow all local electrical codes during installation. All wiring must conform to local and national electrical codes. Improper wiring or installation may damage the 3 to 4 WIRE ADAPTER or HVAC equipment.

Recognize safety information. This is the safety alert symbol. ⚠

When the safety alert symbol is present on equipment or in the instruction manual, be alert to the potential for personal injury.

Understand the signal words DANGER, WARNING, and CAUTION. These words are used with the safety alert symbol. DANGER identifies the most serious hazards which will result in severe personal injury or death. WARNING signifies a hazard that could result in personal injury or death. CAUTION is used to identify unsafe practices which would result in minor personal injury or property damage.

### GENERAL

In applications where additional wiring cannot be run, the 3 to 4 WIRE ADAPTER can be used to add a wire to the thermostat. The adapter is also used to fix a broken wire, or add a common wire to a 4-wire system (the green and yellow wires of the Diode 'Y' may not be connected to the R or C terminal of the thermostat).

### CONTENTS

CONTENTS	QUANTITY
3 to 4 WIRE ADAPTER	1
Diode 'Y'	1
Screw and Anchor	2

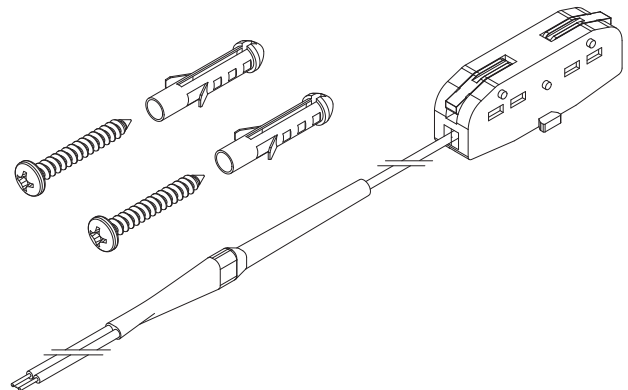
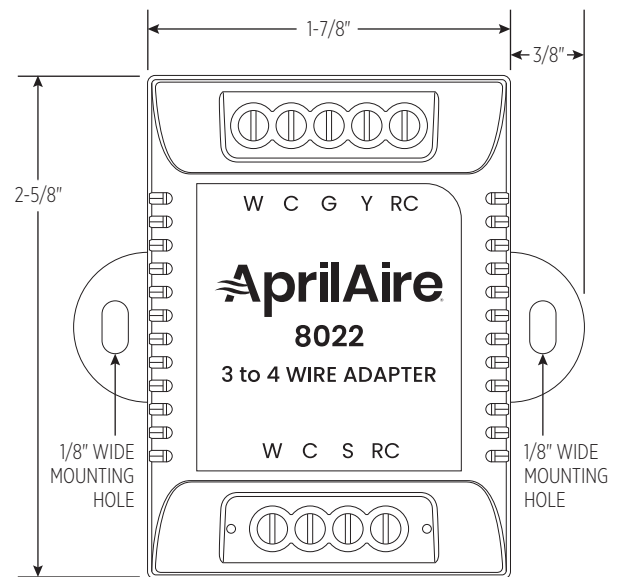
### INSTALLATION

#### STEP 1 – LOCATION

The 3 to 4 WIRE ADAPTER can be mounted inside the HVAC unit or inside the control box. The 3 to 4 WIRE ADAPTER should not be installed in a location where the adapter or wiring may be exposed to the elements. The 3 to 4 WIRE ADAPTER should be within 12" of thermostat connections to HVAC terminal block.

If required, mount the 3 to 4 WIRE ADAPTER with 2 screws. See **FIGURE 1**.

**FIGURE 1 – 3 TO 4 WIRE ADAPTER MOUNTING**



B2209865

## STEP 2 – WIRING REQUIREMENTS

The 3 to 4 WIRE ADAPTER wiring has the following requirements:

1. All system wiring must be in compliance with all applicable local and national codes.
2. All wiring should be color coded in conformance with standard recommendations.
3. All wiring should be 18- 22-gauge, unshielded wire. The Maximum distance between the adapter and the thermostat for 18-gauge wire is 100 feet. The maximum distance between the adapter and the thermostat for 22-gauge wire is 36 feet.

## STEP 3 – ADAPTER WIRING

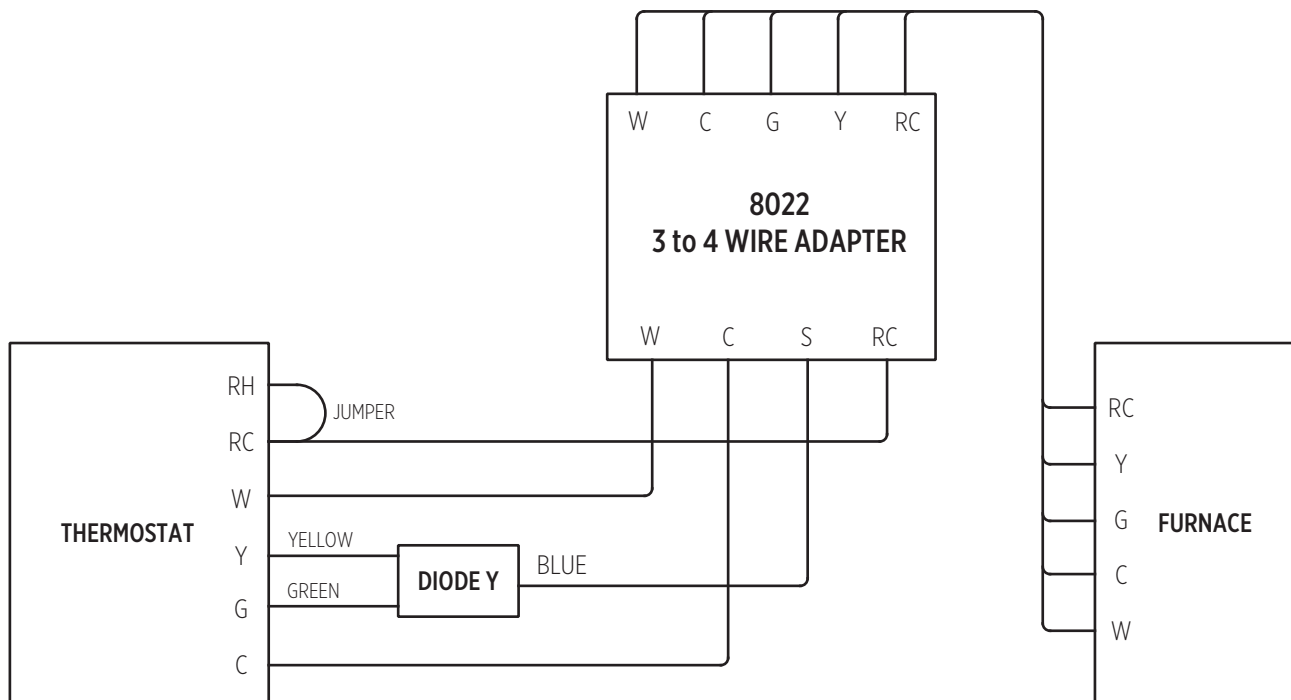
### ⚠ WARNING

Before installing the 3 to 4 WIRE ADAPTER, turn off all power to the HVAC system. There may be more than one power disconnect. Electrical shock can cause injury or death.

Depending on the application and the usage of the 3 to 4 WIRE ADAPTER, wiring will vary. Refer to the wiring diagram, **FIGURE 2**.

- The **S** terminal of the 3 to 4 WIRE ADAPTER must always be connected to the **blue** wire of the Diode 'Y'.
- DO NOT connect the 3 to 4 WIRE ADAPTER **S**, **G**, or **Y** terminals to the **R** and **C** terminals of the HVAC unit, damage may result.
- The **Y** terminal on the 3 to 4 WIRE ADAPTER must be connected to **Y** on the HVAC unit to control cooling. The **G** terminal on the 3 to 4 WIRE ADAPTER must be connected to **G** on the HVAC unit to control the fan.
- Do not connect the **green** and **yellow** wires of the Diode 'Y' to the **RC** or **C** terminal of the thermostat.

**FIGURE 2 – WIRING DIAGRAM – 4 EXISTING WIRES WITH 3 TO 4 WIRE ADAPTER TO ACCOMMODATE A THERMOSTAT THAT REQUIRES 5 WIRES**



90-2696