



A Moen Incorporated Brand



*There is more than 1 version of this model.
Page down to identify the version you have.*

**Model: 40514 Series With Spray
40512 Series Without
Side Spray**



One Handle Kitchen With Spray (Quick Install)

DESCRIPTION

- Metal construction with various finishes identified by suffix
- Hose reach 34", hose length 48", Duralock™ Quick Connect installation
- 40514: Chrome finish, white spray, white spray escutcheon
- 40514C: Chrome finish, chrome spray, chrome spray escutcheon
- 24" flexible supplies with 3/8" compression fittings
- Six (6) individual boxes per master carton

OPERATION

- Pivot action, lever-style handle
- Temperature control by 90° arc
- Will operate with less than 5 lbs. of force

FLOW

- Spout flow limited to 1.5 gpm (5.7 L/min) at 60 psi

CARTRIDGE

- Ceramic disc technology
- Non-metallic, non-ferrous, and plastic material
- Single body construction for easy replacement

NOTE

- 40514 series is designed to install through 4 holes
1-1/4" (32mm) MIN. DIA. and 4" (102mm) on center

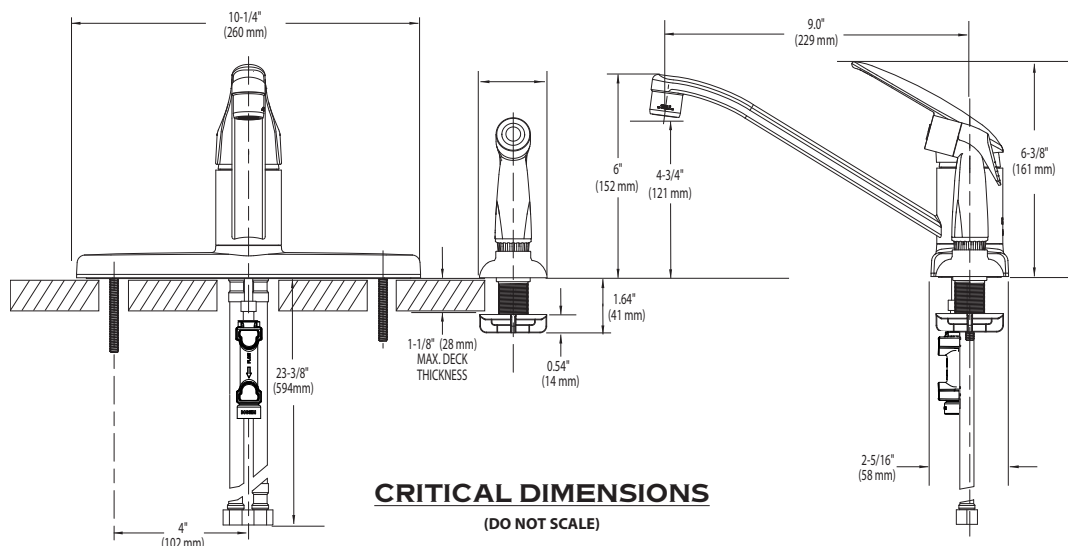
STANDARDS

- Third party certified to ASME A112.18.1/CSA B-125.1, and all applicable requirements referenced therein, including NSF61/9
- Complies with California Proposition 65, and the Federal Safe Drinking Water Act
- All CFG products are compliant to all plumbing codes that require 3rd party certification to the applicable plumbing/fitting standards
- Feature red/blue hot/cold temperature indicators
- ADA for lever handle

WARRANTY – RESIDENTIAL, COMMERCIAL

- Ten year limited warranty against defects in materials and manufacturing workmanship
- Refer to the installation instructions enclosed with each CFG product or call 1-888-450-4910 for complete warranty information

The use of aerator part 116711 reduces flow to a maximum of 1.5 gpm (5.7L/min.)





A Moen Incorporated Brand

Model: CA40514 Series With Spray
CA40512 Series Without
Side Spray



One Handle Kitchen With Spray (Quick Install)

DESCRIPTION

- Metal construction with various finishes identified by suffix
- Hose reach 34", hose length 48", Duralock™ Quick Connect installation
- CA40514: Chrome finish, white spray, white spray escutcheon
- CA40514C: Chrome finish, chrome spray, chrome spray escutcheon
- 24" flexible supplies with 3/8" compression fittings
- Six (6) individual boxes per master carton

OPERATION

- Pivot action, lever-style handle
- Temperature control by 90° arc
- Will operate with less than 5 lbs. of force

FLOW

- Spout flow limited to 1.5 gpm (5.7 L/min) at 60 psi

CARTRIDGE

- Ceramic disc technology
- Non-metallic, non-ferrous, and plastic material
- Single body construction for easy replacement

NOTE

- CA40514 series is designed to install through 4 holes 1-1/4" (32mm) MIN. DIA. and 4" (102mm) on center

STANDARDS

- Third party certified to WaterSense®, IAPMO Green, ASME A112.18.1/CSA B-125.1, and all applicable requirements referenced therein, including NSF61/9
- Meets CalGreen and Georgia SB370 requirements
- Contains no more than 0.25% weighted average lead content
- Complies with California Proposition 65, and the Federal Safe Drinking Water Act
- All CFG products are compliant to all plumbing codes that require 3rd party certification to the applicable plumbing/fitting standards
- Feature red/blue hot/cold temperature indicators
- ADA for lever handle

WARRANTY – RESIDENTIAL, COMMERCIAL

- Ten year limited warranty against defects in materials and manufacturing workmanship
- Refer to the installation instructions enclosed with each CFG product or call 1-888-450-4910 for complete warranty information

The use of aerator part 116711 reduces flow to a maximum of 1.5 gpm (5.7L/min.)

