



Performa™

60-1/4" x 30" bath/shower
71040110



Features

- 15" (381 mm) apron.
- Tongue-and-groove walls with snap-together installation.
- High-gloss walls.
- Full caulking required in all seams.
- Acrylic towel bar and molded-in shelving.

Material

- Made from solid Vikrell® material for strength, durability, and lasting beauty.

Installation

- Alcove.
- Left drain.

Recommended Products/Accessories

- 5405-59 Frameless sliding bath door
- 5900-57 Framed sliding bath door
- 5900-59 Framed sliding bath door
- 5905-57 Framed sliding bath door
- 5905-59 Framed sliding bath door
- 5906-59 Framed sliding bath door
- 5907-59 Framed sliding bath door
- 542808-59 Frameless sliding bath door
- 581005-59 Frameless sliding bath door
- 80001012 12" straight grab bar
- 80001018 18" straight grab bar
- 80001024 24" straight grab bar
- 80011032 32" straight grab bar
- 80001036 36" straight grab bar
- VA-80172 30" x 35" window trim kit
- K-23726 Drain treatment
- K-23733 Vikrell® cleaner

Included Components

Product consists of:

- 71041110 60-1/4" x 29" bath
- 71044100 60" x 30" bath/shower wall set



Codes/Standards



- CSA B45.5/IAPMO Z124
- ASTM E162
- ASTM E662
- HUD, UM Bulletin 73

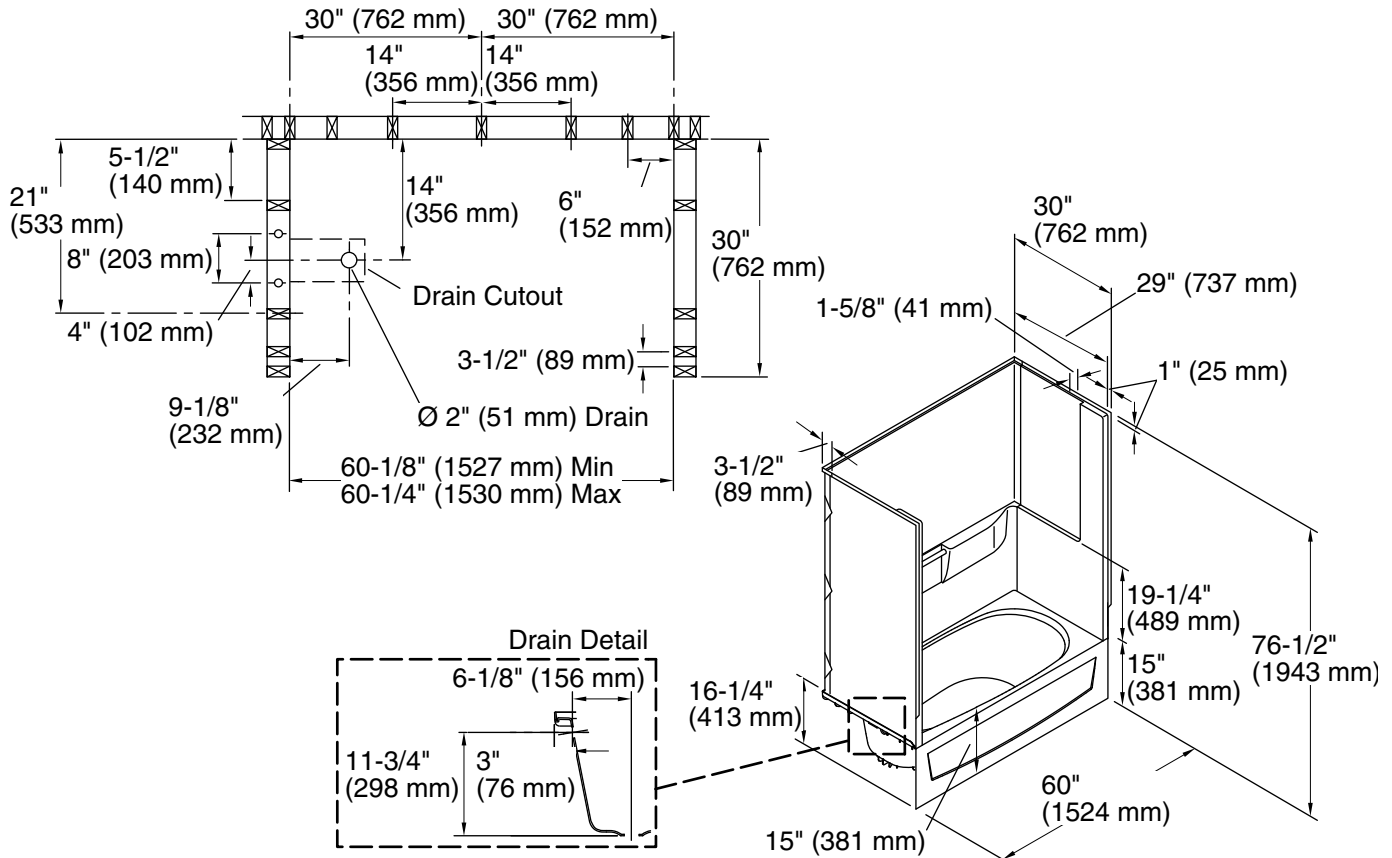
Warranty – Bathing Fixtures (and) Kitchen and Utility Sinks Made of Solid Vikrell® Material

See website for detailed warranty information.

Available Colors/Finishes

Color tiles intended for reference only.

| Color | Code | Description |
|---|------|----------------|
|  | 0 | White |
|  | 96 | KOHLER Biscuit |



Technical Information

All product dimensions are nominal.

| | |
|----------------------|------------------------------|
| Installation: | Three-wall alcove |
| Drain location: | Left |
| Basin area, bottom: | 21" x 39" (533 mm x 991 mm) |
| Basin area, top: | 24" x 53" (610 mm x 1346 mm) |
| Water depth: | 10-1/4" (260 mm) |
| Water capacity: | 35 gal (132.5 L) |
| Maximum door height: | 59-1/2" (1511 mm) |
| Maximum door width: | 56-3/4" (1441 mm) |

Notes

Install this product according to the installation instructions.

Studs should be positioned roughly as shown.

Double studding is recommended for pivot shower door installations.