

Product information presented here reflects conditions at time of publication. Consult factory regarding discrepancies or inconsistencies.

MAIL TO: P.O. BOX 16347 • Louisville, KY 40256-0347 USA
 SHIP TO: 3649 Cane Run Road • Louisville, KY 40211-1961 USA
 +1 (502) 778-2731 • 1-800-928-7867 • FAX +1 (502) 774-3624

visit our web site:
www.zoeller.com

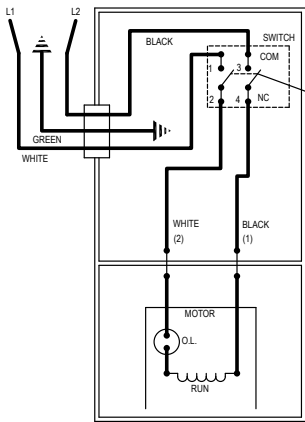
REPLACEMENT PARTS LIST FOR MODELS:

- U53 AUTOMATIC 220V/50 Hz**
- V53 NONAUTOMATIC 220V/50 Hz**
- BK53 AUTOMATIC 220V/60 Hz**
- BL53 NONAUTOMATIC 220V/60 Hz**

Consult factory for all other models.

TO ORDER REPLACEMENT PARTS:
PLEASE FURNISH THE FOLLOWING INFORMATION:

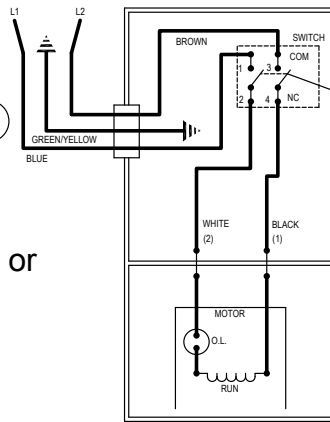
- Model number
- Part number of pump
- Part number and description of part



004619

WIRING DIAGRAM FOR MODELS
 "U53-A", "U53-B", and "BK53-B"
 07/92 thru Current

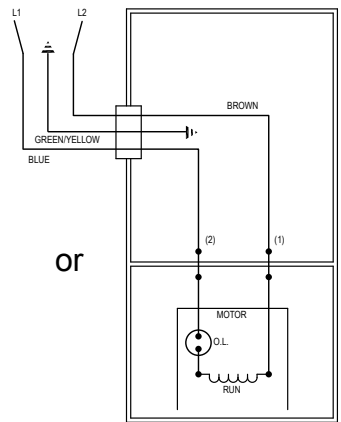
or



002392

WIRING DIAGRAM FOR MODELS
 "V53-A", "V53-B", and "BL53-A"
 07/92 thru Current

or



REPLACEMENT PARTS LIST FOR MODELS "U53-A" and "U53-B"

REPLACEMENT PARTS LIST FOR MODEL "BK53-B"

MODELS:				U53-A&B	
REF NO.		DESCRIPTION	QTY	NOTES	
1	•	Gasket, case / cover	1		
2	•	Clamp, strain relief	1		
3	•	Seal, cord - assembly	1	151324	
		Seal, Cord - assembly (no plug)		006923	
4		Cord term & seal (2.4 m [8'] length)	1	1, 6	
		Cord term & seal (10 m [33'] length UK plug)			151322
		Cord term & seal (10 m [33'] length CEE 7/7 SCHUKO plug)			151323
		Cord term & seal (no plug)			151749
5		Stator - GE	1	007952	
6	•	Screw, #8 - stator	2	001914	
7		Rotor Asm - GE	1	054032	
8	•	Seal, motor housing	1	034007	
9	•	Washer, thrust	1	002140	
10	•	Oil, dielectric	1	002588	
11		Housing, pump - mach	1	057018	
12	•	Seal assembly, shaft	1	267027	
13		Impeller - plastic	1	5 002570	
14		Base assembly	1	002690	
15		Plate, strainer - plastic	1	N/A	
16		Case handle & arm assembly	1	004703	
17	•	Plug, test	1	034090	
18		Arm & seal assembly	1	004704	
19	•	Case & switch	1	004702	
20		Guard	1	004645	
21	•	Seal, thru wall term	2	003402	
22		Housing, motor & term assembly	1	004712	
23		Float - polypropolene		034019	
24		Rod assembly, float	1	054062	
25		Guide assembly, float rod	1	034086	
26		Switch assembly	1	004705	
27	•	Screw, #10 - 24 x .75	16	001885	
28	•	Screw, #6 - 32 x .438	2	004644	
29	•	Screw, #6 - 32 x .25	1	001877	
30	•	Screw, sem #10 - 12 x .5	1	N/A	
□		Rebuild kit	1	151325	

MODEL:				BK53-B
REF NO.		DESCRIPTION	QTY	NOTES
1	•	Gasket, case / cover	1	
2	•	Clamp, strain relief	1	
3	•	Seal, cord - assembly	1	
4		Cord term & seal	1	1 007693
5		Stator - GE	1	007952
6	•	Screw, #8 - stator	2	001914
7		Rotor assembly - GE	1	054032
8	•	Seal, motor housing	1	034007
9	•	Washer, thrust	1	002140
10	•	Oil, dielectric	1	002588
11		Housing, pump - mach	1	057018
12	•	Seal assembly, shaft	1	267027
13		Impeller - plastic	1	003644
14		Base assembly	1	002690
15		Plate, strainer - plastic	1	N/A
16		Case handle & arm assembly	1	004703
17	•	Plug, test	1	034090
18	•	Arm & seal assembly	1	151557
19		Case & switch	1	004702
20		Guard	1	004645
21	•	Seal, thru wall term	2	003402
22		Housing, motor - & term assembly	1	004712
23		Float - polypropylene	1	034019
24		Rod assembly, float	1	054062
25		Guide assembly, float rod	1	034086
26		Switch assembly	1	004705
27	•	Screw, #10 - 24 x .75	16	001885
28	•	Screw, #6- 32 x .438	2	004644
29	•	Screw, #6- 32 x .25	1	001877
30	•	Screw, sem, #10 - 12 x .5	3	N/A
□		Rebuild kit	1	151536

• Items included in Rebuild Kit.

□ Not Shown in Illustration.

NOTES:

- 1) Strain Relief (Item 2) can be purchased separately, but is included with Cord, Terminal & Seal Assembly (Item 4) and with Seal, Cord Assembly (Item 3).
- 2) See FM0160 Parts Price List for listing of parts prices.
- 3) "NA" indicates, not applicable.
- 4) If an "X" follows Model No., or Date Mfg. on ID tag, consult factory for ordering any parts.
- 5) Revision A pump utilized standard 50 series impeller. Pump now uses 98 impeller. Pump was incremented to B for performance increase. Impeller is interchangeable.
- 6) Cut plug off if required.

NOTES:

- 1) Strain Relief (Item 2) can be purchased separately, but is included with Cord, Terminal & Seal Assembly (Item 4) and with Seal, Cord Assembly (Item 3).
- 2) See FM0160 Parts Price List for listing of parts prices.
- 3) "NA" indicates, not applicable.
- 4) If an "X" follows Model No., or Date Mfg. on ID tag, consult factory for ordering any parts.

REPLACEMENT PARTS LIST FOR MODELS "V53-A" and "V53-B"

REPLACEMENT PARTS LIST FOR MODEL "BL53-A"

MODELS: V53-A & B				
REF NO.		DESCRIPTION	QTY	NOTES
1	•	Gasket, case / cover	1	
2	•	Clamp, strain relief	1	
3	•	Seal, cord - assembly	1	
		Seal, cord - assembly (no plug)		
4		Cord term & seal (2.4 m [8'] length)	1	1, 6
		Cord term & seal (10 m [33'] length UK plug)		
		Cord term & seal (10 m [33'] length CEE 7/7 SCHUKO plug)		
		Cord term & seal (no plug)		
5		Stator - GE	1	
6	•	Screw, #8 stator	2	
7		Rotor assembly - GE	1	
8	•	Seal, motor housing	1	
9	•	Washer, thrust	1	
10	•	Oil, dielectric	1	
11		Housing, pump - mach	1	
12	•	Seal assembly, shaft	1	
13		Impeller - plastic	1	5
14		Base assembly	1	
15		Plate, strainer - plastic	1	N/A
16		Cover & handle	1	
17	•	Plug, test	1	
18	•	Seal, thru wall term	2	
19		Housing, motor - & term assembly	1	
20	•	Screw, #10 - 24 x .75	16	
21	•	Screw, sem, #10 - 12 x .5	3	N/A
22	•	Screw, #6 - 32 x .25	1	
□		Rebuild kit	1	

MODEL: BL53-A				
REF NO.		DESCRIPTION	QTY	NOTES
1	•	Gasket, case / cover	1	
2	•	Clamp, strain relief	1	
3	•	Seal, cord - assembly	1	
4		Cord term & seal	1	1
5		Stator - GE	1	
6	•	Screw, #8 stator	2	
7		Rotor assembly - GE	1	
8	•	Seal, motor housing	1	
9	•	Washer, thrust	1	
10	•	Oil, dielectric	1	
11		Housing, pump - mach	1	
12	•	Seal Asm, shaft	1	
13		Impeller - plastic	1	5
14		Base assembly	1	
15		Plate, strainer - plastic	1	N/A
16		Cover & handle	1	
17	•	Plug, test	1	
18	•	Seal, thru wall term	2	
19		Housing, motor & term assembly	1	
20	•	Screw, #10 - 24 x .75	16	
21	•	Screw, Sem, #10 - 12 x .5	3	N/A
22	•	Screw, #6 - 32 x .25	1	
□		Rebuild kit	1	

- Items included in Rebuild Kit.
- Not Shown in Illustration.

NOTES:

- 1) Strain Relief (Item 2) can be purchased separately, but is included with Cord, Terminal & Seal Assembly (Item 4) and with Seal, Cord Assembly (Item 3)
- 2) See FM0160 Parts Price List for listing of parts prices.
- 3) "NA" indicates, not applicable.
- 4) If an "X" follows Model No., or Date Mfg. on ID tag, consult factory for ordering any parts.
- 5) Revision A pump utilized standard 50 series impeller. Pump now uses 98 impeller. Pump was incremented to B for performance increase. Impeller is interchangeable.
- 6) Cut plug off if required.

NOTES:

- 1) Strain Relief (Item 2) can be purchased separately, but is included with Cord, Terminal & Seal Assembly (Item 4) and with Seal, Cord Assembly (Item 3).
- 2) See FM0160 Parts Price List for listing of parts prices.
- 3) "NA" indicates, not applicable.
- 4) If an "X" follows Model No., or Date Mfg. on ID tag, consult factory for ordering any parts.



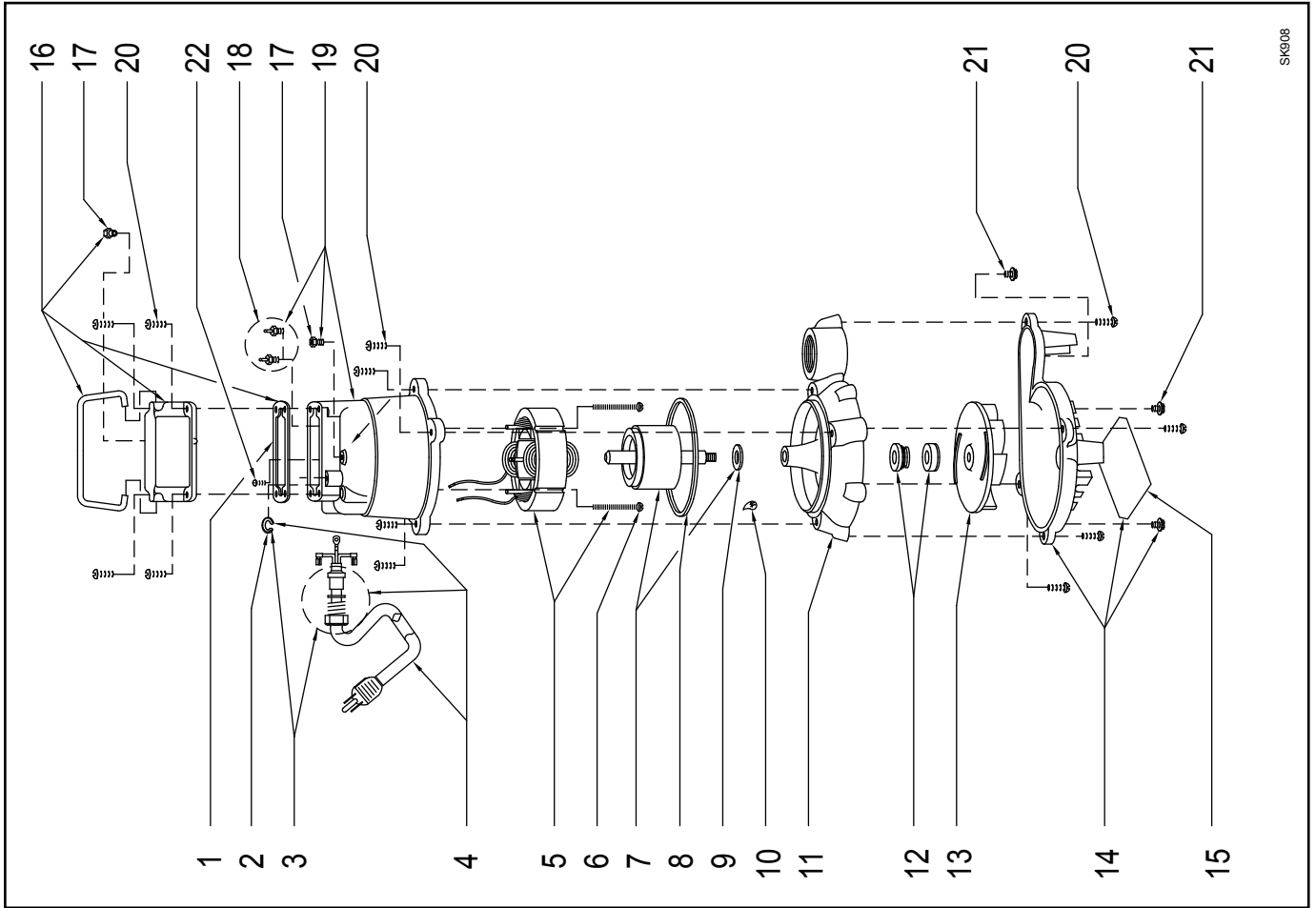
PUMP COMPANY

MAIL TO: P.O. BOX 16347 • Louisville, KY 40256-0347 USA
 SHIP TO: 3649 Cane Run Road • Louisville, KY 40211-1961 USA
 +1 (502) 778-2731 • 1-800-928-7867 • FAX +1 (502) 774-3624

Your Peace of Mind is Our Top Priority®

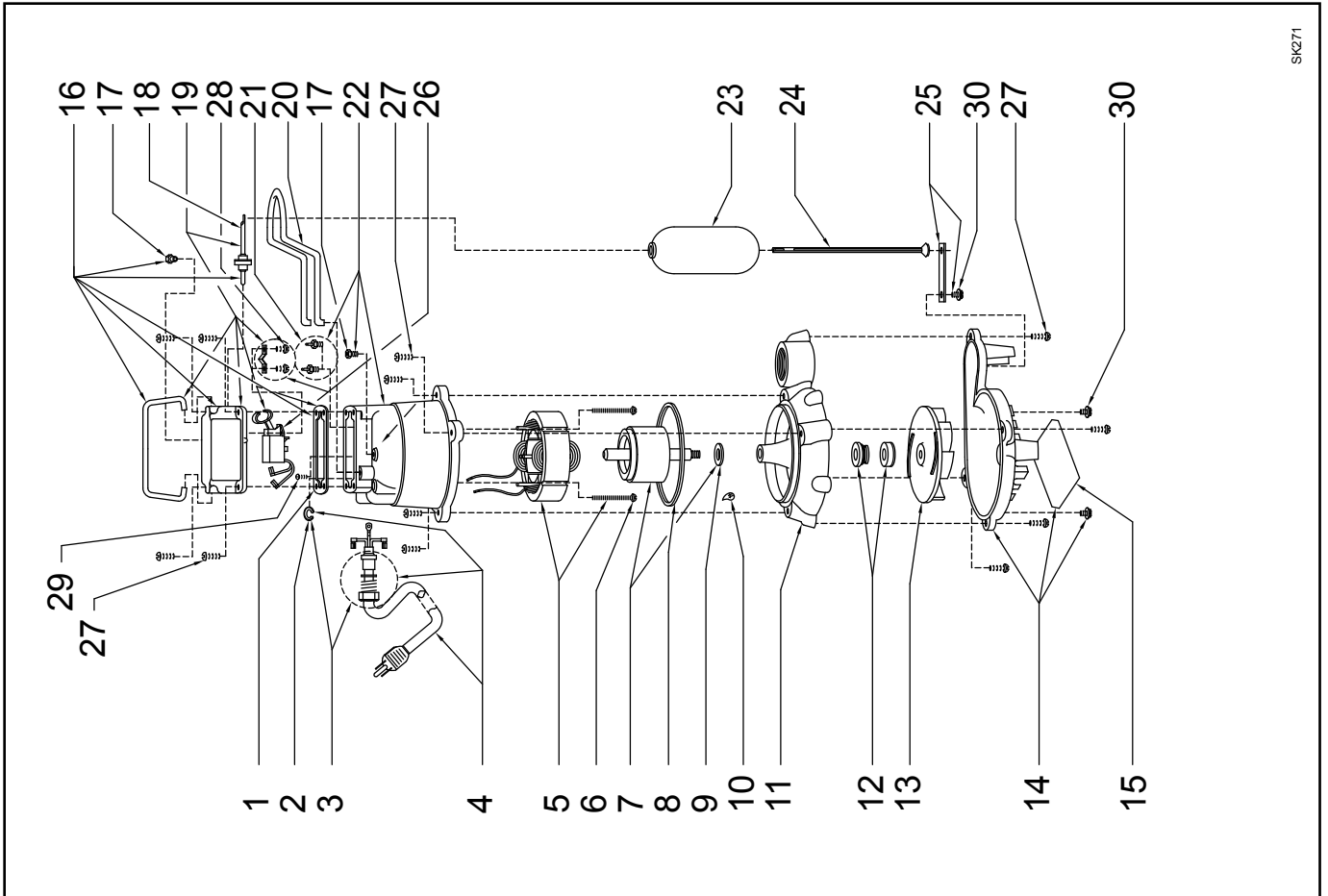
**visit our web site:
www.zoeller.com**

REPLACEMENT PARTS ILLUSTRATION FOR MODELS "V53" AND "BL53"



SK908

REPLACEMENT PARTS ILLUSTRATION FOR MODELS "U53" AND "BK53"



SK271