

PRODUCT SPECIFICATIONS

Bulletin No. ZGA/ZGB-036-074 (03/2016)

Z-SERIES™
DESIGNED TO FIT. FAST.



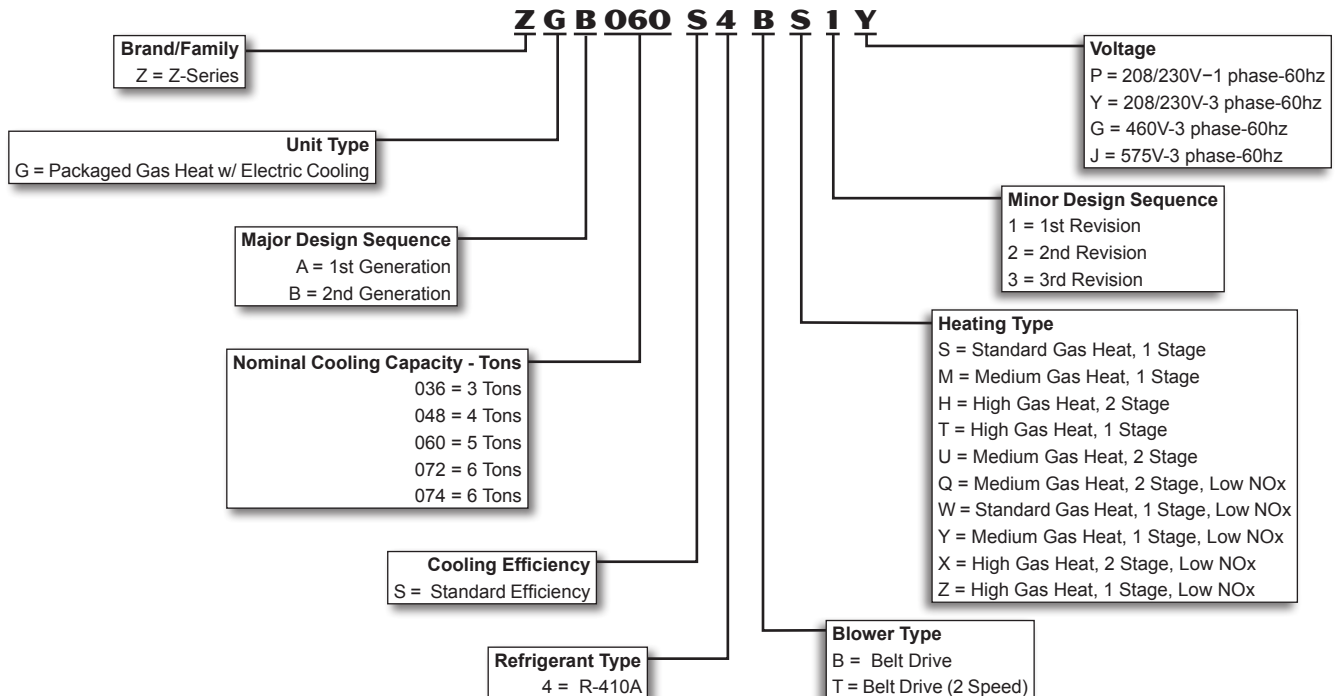
**ASHRAE 90.1
COMPLIANT**

3 to 6 Tons

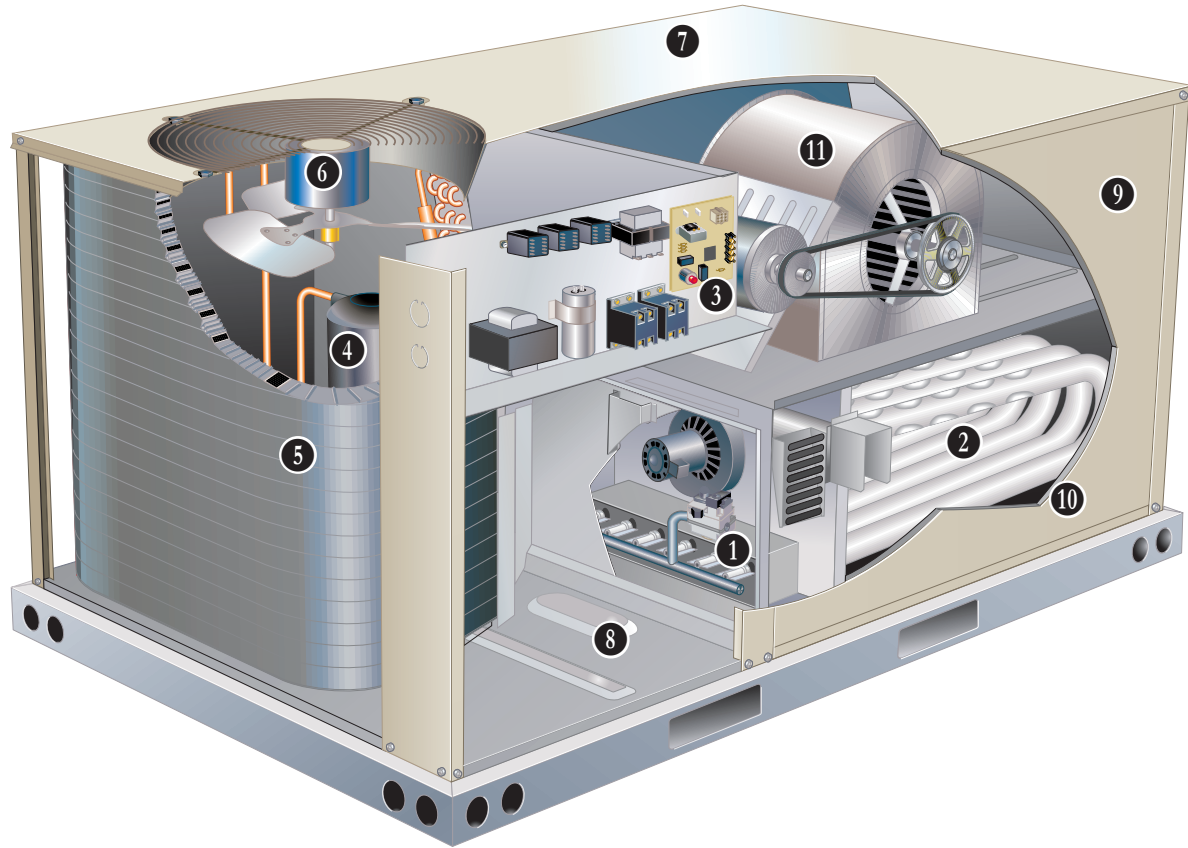
Net Cooling Capacity – 34,600 to 68,000 Btuh

Gas Input Heat Capacity – 65,000 to 150,000 Btuh

MODEL NUMBER IDENTIFICATION



FEATURES AND BENEFITS



Z-Series™ rooftop units from Allied are the new standard for cost efficient, reliable rooftop units built for long-lasting performance that can significantly improve indoor environments.

Z-Series™ rooftop units feature:

- **Quick and Easy Retrofit** - Fast installation for replacement of many existing rooftop units - fits high volume competitor's roof curbs.
- **R-410A Refrigerant** - Environmentally friendly.
- **Single Speed Scroll Compressor** - Furnished on all ZGA and ZGB036 through 060 models.
- **Two-Stage Scroll Compressor** - Furnished on all ZGB074 models. Allows rooftop units to deliver just the necessary amount of cooling needed to meet the space's demand
- **Eco-last™ Coil System** - Smaller, lighter condenser coil.
- **High Pressure Switch** - Protects compressor.
- **Belt Drive Blower Motor** - To maximize air performance. Two-Speed belt drive blower on ZGB074 models.
- **Downflow or Horizontal Airflow** - Easy field conversion.
- **Two Fork Lift Slots on Three Sides** - Easy to pick up and transport units from almost any angle.
- **Corrosion-Resistant Drain Pan** - Provides application flexibility, durability, improved serviceability and meets ASHRAE 62.1 requirements for drain pan slope.

FEATURES AND BENEFITS

CONTENTS

Blower Data - Belt Drive - ZGA	17
Blower Data - Belt Drive - ZGB	21
Dimensions - Accessories.	36
Dimensions - Unit - ZGA	34
Dimensions - Unit - ZGB	35
Electrical Data.	27
Features And Benefits	2
High Altitude Derate.	13
Model Number Identification	1
Optional Conventional Temperature Control Systems	32
Options / Accessories.	9
Outdoor Sound Data	26
Ratings - ZGA.	14
Ratings - ZGB.	15
Specifications - Low Nox Gas Heat - Single And Three Phase Models.	13
Specifications - Standard Gas Heat - Three Phase Models	13
Specifications - ZGA	11
Specifications - ZGB	12
Unit Clearances.	31
Weight Data.	33

APPROVALS

AHRI Certified to AHRI Standard 210/240-2008 (3 - 5 ton models) and AHRI Standard 340/360-2007 (6 ton models). CSA listed. CSA listed.

Units are Certified by CSA.

Components bonded for grounding to meet safety standards for servicing required by UL, ULC and National and Canadian Electrical Codes.

All models are ASHRAE 90.1 compliant.

ISO 9001 Registered Manufacturing Quality System.

Models equipped with low NO_x gas heat meet the California Nitrogen Oxides (NO_x) Standards that apply in the South Coast Air Quality Management District and the San Francisco Bay Area Air Quality Management District.

WARRANTY

Limited ten years aluminized heat exchanger.

Limited five years on compressors.

Limited three years on the Eco-last™ Coil System.

Limited five years Optional High Performance Economizers.

Limited one year all other covered components.

HEATING SYSTEM

① Aluminized steel inshot burners, direct spark ignition, electronic flame sensor, combustion air inducer, redundant automatic single or dual stage gas valve with manual shut-off.

② **Heat Exchanger**
Tubular construction, aluminized steel, life cycle tested.

③ **Electronic Pilot Ignition**
Electronic spark igniter provides positive direct ignition of burners on each operating cycle. The system permits main gas valve to stay open only when the burners are proven to be lit. Should a loss of flame occur, the gas valve closes, shutting off the gas to the burners. Ignition module has LED to indicate status and aid in troubleshooting.

Watchguard circuit on module automatically resets ignition controls after one hour of continuous thermostat demand after unit lockout, eliminating nuisance service calls. Ignition control is factory installed in the controls section.

Limit Controls

Factory installed, redundant limit controls with fixed temperature setting.

Heat limit controls protect heat exchanger and other components from overheating.

Safety Switches

Flame roll-out switch, flame sensor and combustion air inducer proving switch protect system operation.

Low NO_x Models

All models are available in low NO_x versions.

Required Selections

Gas Input Choice - Order one:

- Standard Gas Heat (1 Stage) 65,000 Btuh
- Medium Gas Heat (1 Stage) 108,000 Btuh
- Medium Gas Heat (2 Stage) 81,000/108,000 Btuh
- High Gas Heat (1 Stage) 150,000 Btuh
- High Gas Heat (2 Stage) 113,000/150,000 Btuh

Standard or Low NO_x

Specify conventional gas heat or Low NO_x option.

Options/Accessories

Field Installed

LPG/Propane Kits

Conversion kit to field change over units from Natural Gas to LPG/Propane.

Vertical Vent Extension Kit

Use to exhaust flue gases vertically above unit. Required when unit vent is too close to fresh air intakes per building codes. The vent kit also prevents ice formation on intake louvers.

FEATURES AND BENEFITS

COOLING SYSTEM

Designed to maximize sensible and latent cooling performance at design conditions.

System can operate from 35°F to 125°F without any additional controls.

R-410A Refrigerant

Non-chlorine, ozone friendly, R-410A.

Unit is factory pre-charged with refrigerant. See Specifications Table.

4 Single Speed Scroll Compressor (036 through 072 Models)

Resiliently mounted on rubber grommets for quiet operation.

Scroll compressors for high performance, reliability and quiet operation.

Copeland Scroll Ultra Tech™ Two-Stage Compressor (074 Models)

Two-stage scroll compressors for increased part load efficiency, high performance, reliability and quiet operation.

Resiliently mounted on rubber grommets for quiet operation.

Compressor Crankcase Heater

Protects against refrigerant migration that can occur during low ambient operation.

Refrigerant Metering Orifice (All ZGA and ZCB036 to 060 Models)

Accurately meters refrigerant in system.

Refrigerant control is accomplished by exact sizing of refrigerant metering orifice.

Thermal Expansion Valve (ZGB074 Models)

Assures optimal performance throughout the application range.

Removable element head.

High Pressure Switch

Protects the compressor from overload conditions such as dirty condenser coils, blocked refrigerant flow, or loss of outdoor fan operation.

Automatic reset.

Filter/Drier

High capacity filter/drier protects the system from dirt and moisture.

5 Eco-last™ Coil System

Condenser coil features lightweight, all aluminum brazed fin construction.

Constructed of three

components: a flat extrusion tube, fins in-between the flat extrusion tube and two refrigerant manifolds.

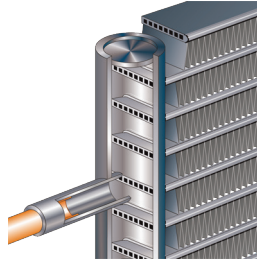
Eco-last™ Coil System Features:

- Improved heat transfer performance due to high primary surface area (flat tubes) versus secondary surface (fins).
- Smaller internal volume (reduced refrigerant charge).
- High durability (all aluminum construction).
- Fewer brazed joints.
- Compact design (reduces unit weight).
- Easy maintenance/cleaning.

Mounting brackets with rubber inserts secure coil to unit providing vibration dampening and corrosion protection.

Evaporator Coil

Copper tube construction, enhanced rippled-edge aluminum fins, flared shoulder tubing connections, silver soldered construction for improved heat transfer. Factory leak tested. Cross row circuiting with rifled tubing optimizes both sensible and latent cooling capacity.



Condensate Drain Pan

Plastic pan, sloped to meet drainage requirements of ASHRAE 62.1.

End drain connection.

6 Outdoor Coil Fan Motor

Thermal overload protected, totally enclosed, permanently lubricated bearings, shaft down, fan guard mount.

Outdoor Coil Fan Guard

PVC coated fan guard furnished.

Required Selections

Cooling Capacity

Specify nominal cooling capacity of the unit.

Options/Accessories

Field Installed

Condensate Drain Trap

Field installed only.

Available in copper or PVC.

Drain Pan Overflow Switch

Monitors condensate level in drain pan, shuts down unit if drain becomes clogged.

Low Ambient Kit

Cycles the outdoor fan while allowing compressor operation in the cooling cycle. This intermittent fan operation allows the system to operate without icing the evaporator coil and losing capacity. Designed for use in ambient temperatures no lower than 0°F. A crankcase heater must be installed on the compressor.

FEATURES AND BENEFITS

CABINET

7 Construction

Heavy-gauge steel panels and full perimeter heavy-gauge galvanized steel base rail provides structural integrity for transportation, handling, and installation.

Base rails have rigging holes
Three sides of the base rail have fork slots.

Raised edges around duct and power entry openings in the bottom of the unit provide additional protection against water entering the building.

Airflow Choice

Units are shipped in downflow (vertical) configuration, can be field converted to horizontal airflow configuration without the need of a kit.

8 Power Entry

Electrical lines can be brought through the unit base or through horizontal access knock-outs.

Optional Bottom Power Entry Kit is available.

9 Exterior Panels

Constructed of heavy-gauge, galvanized steel with a two-layer enamel paint finish.

10 Insulation

All panels adjacent to conditioned air are fully insulated with non-hygroscopic fiberglass insulation.

Access Panels

Access panels are provided for the compressor, heating, controls, blower and air filter/economizer section.

Options/Accessories

Factory Installed

Corrosion Protection

A completely flexible immersed coating with an electro-deposited dry film process. (AST ElectroFin E-Coat) Meets Mil Spec MIL-P-53084, ASTM B117 Standard Method Salt Spray Testing.

Indoor Corrosion Protection:

- Coated coil

Outdoor Corrosion Protection:

- Coated coil

Field Installed

Coil/Hail Guards

Constructed of heavy gauge steel, painted to match cabinet, helps protect outdoor coil from damage on all three sides of cabinet.

CONTROLS

Unit Control

All control voltage is provided via a 24V (secondary) transformer with inline fuse protection.

Heat/Cool Staging

Capable of up to 2 heat / 2 cool staging with a thermostat.

Night Setback Mode

Saves energy by closing outdoor air dampers and operating supply fan on thermostat demand only.

Smoke Detectors

NOTE - Smoke detectors are not available and must be field provided by installer.

FEATURES AND BENEFITS

11 BLOWER

A wide selection of supply air blower options are available to meet a variety of air flow requirements.

Motor

Overload protected, equipped with ball bearings. Belt drive motors are offered on all models and are available in several different sizes to maximize air performance.

Two-speed belt drive motor (low static/high static) is available on 074 models.

Supply Air Blower

Forward curved blades, blower wheel is statically and dynamically balanced.

Equipped with ball bearings and adjustable pulley (allows speed change).

Required Selections

Supply Air Blower

Order blower motor horsepower and drive kit number required when base unit is ordered, see Drive Kit Specifications Table.

INDOOR AIR QUALITY

Air Filters

Disposable 2 inch filters furnished as standard.

Options/Accessories

Field Installed

Indoor Air Quality (CO₂) Sensor

Monitors CO₂ levels adjusts economizer dampers as needed for Demand Control Ventilation.

ELECTRICAL

Marked & Color-Coded Wiring

All electrical wiring is color-coded and marked to identify which components it is connecting.

Electrical Plugs

Positive connection electrical plugs are used to connect common accessories or maintenance parts for easy removal or installation.

Required Selections

Voltage Choice

Specify when ordering base unit.

ECONOMIZER OPTIONS

Factory or Field Installed

**Economizer (Downflow or Horizontal)
(Standard and High Performance Common Features)**

Outdoor Air Hood is furnished.

Economizer includes Barometric Relief Dampers with Exhaust Hood.

Barometric Relief Dampers allow relief of excess air, aluminum blade dampers prevent blow back and outdoor air infiltration during off cycle, bird screen furnished. Hood is furnished.

Single Sensible Temperature Control is furnished with the economizer

Outdoor air sensor enables Economizer if the outdoor temperature is less than the setpoint of the control.

Demand Control Ventilation (DCV) ready using optional CO₂ sensors.

NOTE - Horizontal Economizer is field installed only.

Standard Economizer Features (Not for Title 24)

Gear-driven action, return air and outdoor air dampers, plug-in connections to unit, neoprene seals, 24-volt, fully-modulating spring return motor.

Standard Economizer Control Module

The Standard Economizer Control Module can be adjusted to operate based on outdoor air temperatures.



Economizer Controls:

- Damper Minimum Position - Can be set lower than traditional minimum air requirements resulting in cost savings.
- IAQ Sensor - Signals dampers to modulate and maintain 55°F when CO₂ is higher than the CO₂ setpoint.
- Demand Control Ventilation (DCV) LED - A steady green Demand Control Ventilation LED indicates the IAQ reading is higher than setpoint and requires more fresh air.
- Free Cool LED - A steady green LED indicates outdoor air is suitable for free cooling.

Free Cooling runs when outdoor air temperature is lower than the set temperature on the economizer control.

NOTE: The Free Cooling default setting for outdoor air temperature sensor is 55°F.

High Performance Economizer Features

Approved for California Title 24 building standards.

ASHRAE 90.1-2010 compliant.

Gear-driven action, high torque 24-volt fully-modulating spring return damper motor, return air and outdoor air dampers, plug-in connections to unit, nylon bearings, enhanced neoprene blade edge seals and flexible stainless steel jamb seals to minimize air leakage.

NOTE - High Performance Economizers are not approved for use with enthalpy controls in Title 24 applications.

High Performance Economizer Control Module

Module provides inputs and outputs to control economizer based on parameter settings.



Module automatically detects sensors by polling to determine which sensors are installed in system.

Module displays any alarm messages (fault detection and diagnostics) as an aid in troubleshooting.

Non-volatile memory retains parameter settings in case of power failure.

Keypad with four navigation buttons and LCD screen is furnished for setting economizer parameters.

- Menu Up/Exit (↑) button returns to the main menu.
- Arrow Up (▲) button moves to the previous or next parameter within the selected menu.
- Arrow Down (▼) button moves to the next parameter within the selected menu.
- Select (enter) (↵) button confirms parameter selection.

Main Menu Structure:

- STATUS (economizer and system operation status)
- SETPOINTS (settings for various setpoint parameters)
- SYSTEM SETUP (settings/information about the system)
- ADVANCED SETUP (freeze protection, CO₂ settings, stage 3 delay and additional calibration settings)
- CHECKOUT (damper positions)
- ALARMS (output signal that can be configured for remote alarm monitoring)

NOTE - The Free Cooling setpoint for Title 24 applications must be set based on the Climate Zone where the system is installed. See Section 140.4 "Prescriptive Requirements for Space Conditioning Systems" of the California Energy Commission's 2013 Building Energy Efficiency Standards.

Refer to Installation Instructions for complete setup information and menu parameters available.

OPTIONS / ACCESSORIES

ECONOMIZER OPTIONS

(continued)

Field Installed

Single Enthalpy Temperature Control

(Not for Title 24)

Outdoor air enthalpy sensor enables Economizer if the outdoor enthalpy is less than the setpoint of the control.

EXHAUST OPTIONS

Field Installed

Power Exhaust Fan - Downflow or Horizontal

Installs external to unit for applications with Economizer option. Provides exhaust air pressure relief. Interlocked to run when supply air blower is operating, fan runs when outdoor air dampers are 50% open (adjustable), motor is overload protected.

Fan is 12 in. diameter with 5 fan blades. 1/2 hp motor.

OUTDOOR AIR OPTIONS

Field Installed

Outdoor Air Dampers - Downflow

Linked mechanical dampers, 0 to 35% (fixed) outdoor air adjustable, installs in unit.

Automatic model features fully modulating spring return damper motor with plug-in connection.

Manual model features a slide damper. Maximum mixed air temperature in cooling mode: 100°F.

Outdoor Air Hood is furnished.

ROOF CURBS

Hybrid Roof Curbs, Downflow

Nailer strip furnished, mates to unit, US National Roofing Contractors Approved, shipped knocked down.

Roof curb can be assembled using interlocking tabs to fasten corners together. No tools required.

Curb can also be fastened together with furnished hardware.

Available in 8, 14, 18, and 24 inch heights.

Adaptor Curbs (not shown)

Curbs are regionally sourced. Dimensions will vary based upon the source. Contact your local sales representative for a detailed cut sheet with applicable dimensions.

CEILING DIFFUSERS

Ceiling Diffusers

(Flush and Step-Down)

Aluminum grilles, large center grille, insulated diffuser box with flanges, hanging rings furnished, interior transition (even air flow), internally sealed (prevents recirculation), adapts to T-bar ceiling grids or plaster ceilings.

Transitions (Supply and Return)

NOTE - Ceiling Diffuser Transitions are not furnished and must be field fabricated.

OPTIONS / ACCESSORIES

Item	Catalog No.	Unit Model No.					
		ZGA ZGB 036	ZGA ZGB 048	ZGA ZGB 060	ZGA 072	ZGB 074	
COOLING SYSTEM							
Condensate Drain Trap	PVC - C1TRAP20AD2	76W26	X	X	X	X	X
	Copper - C1TRAP10AD2	76W27	X	X	X	X	X
Drain Pan Overflow Switch	Z1SNSR90A1	99W59	X	X	X	X	X
Low Ambient Kit	Z1SNSR33A-1	99W67	X	X	X	X	X
HEATING SYSTEM							
Gas Heat Input	Standard 1-Stage - 65 kBtuh input	Factory	O	O	O	O	O
	Medium 1-Stage - 108 kBtuh input	Factory	O	O	O	O	O
	Medium 2-Stage - 65/108 kBtuh input	Factory	O	O	O	O	O
	High 1-Stage - 150 kBtuh input	Factory		O	O	O	O
	High 2-Stage - 113/150 kBtuh input	Factory		O	O	O	O
LPG/Propane Conversion Kits	For 1-Stage models - Z1PROP10A-1	14N20	X	X	X	X	X
	For 2-Stage models - Z1PROP20A-1	14N21	X	X	X	X	X
Vertical Vent Extension Kit	C1EXTN20FF1	31W62	X	X	X	X	X
BLOWER - SUPPLY AIR							
Motors	Belt Drive - 0.75 hp (208/230V-1ph) Standard Efficiency	Factory	³ O	³ O	³ O		
	Belt Drive - 1 hp (208/230V, 460V, 575V-3ph) Standard Efficiency	Factory	O	O	O	O	
	Belt Drive - 1.5 hp (208/230V-1ph or 3 ph, 460V, 575V-3ph) Standard Efficiency	Factory	O	O	O	O	
	Belt Drive - 2 hp (208/230V, 460V, 575V-3ph) Standard Efficiency	Factory				O	
	Belt Drive - 2 hp (208/230V, 460V, 575V-3ph) (2 Speed)	Factory					O
Drive Kits See Blower Data Tables for selection	Kit #Z01 - 678-1035 rpm	Factory	O				
	Kit #Z02 - 803-1226 rpm	Factory		O			
	Kit #Z03 - 906-1383 rpm	Factory			O		
	Kit #Z04 - 964-1471 rpm	Factory	O				
	¹ Kit #Z05 - 1098-1490 rpm	Factory		O			
	¹ Kit #Z06 - 1262-1634 rpm	Factory			O		
	Kit #ZAA02 - 632-875 rpm	Factory				O	O
	Kit #ZAA03 - 798-1105 rpm	Factory				O	O
² Kit #ZAA04 - 921-1226 rpm	Factory				O	O	
CABINET							
Coil/Hail Guards	ZGA/ZGB036, ZGA/ZGB048, ZGA060 models - Z1GARD52A-1	12X19	X	X	X		
	ZGA072, ZGB060 and ZGB074 models - Z1GARD52AT1	12X20			X	X	X
Corrosion Protection		Factory	O	O	O	O	O
ELECTRICAL							
Voltage 60 hz	208/230V - 1 phase	Factory	³ O	³ O	³ O		
	208/230V - 3 phase	Factory	O	O	O	O	O
	460V - 3 phase	Factory	O	O	O	O	O
	575V - 3 phase	Factory	O	O	O	O	O
Bottom Power Entry Kit	Z1PEKT01A-1	98W08	X	X	X	X	X

¹ 1.5 hp blower motor is required with the ZA05 and ZA06 drive kits.

² 2 hp blower motor is required with the ZAA04 drive kit.

³ ZGB models only.

NOTE - The catalog and model numbers that appear here are for ordering field installed accessories only.

OX - Field Installed or Configure to Order (factory installed)

O - Configure to Order (Factory Installed)

X - Field Installed.

OPTIONS / ACCESSORIES

Item	Catalog No.		Unit Model No.				
			ZGA ZGB 036	ZGA ZGB 048	ZGA ZGB 060	ZGA 072	ZGB 074
ECONOMIZERS							
Standard Economizer With Outdoor Air Hood (Not for Title 24)							
Standard Economizer (Downflow) Includes Barometric Exhaust Dampers and Exhaust Hood	Z1ECON30A-2	14D94	OX	OX	OX	OX	OX
Standard Economizer (Horizontal) Includes Barometric Exhaust Dampers and Exhaust Hood	Z1ECON16A-2	14D92	X	X	X	X	X
Standard Economizer Controls (Not for Title 24)							
Single Enthalpy Control	C1SNSR64FF1	53W64	X	X	X	X	X
High Performance Economizer With Outdoor Air Hood (Approved for California Title 24 Building Standards)							
High Performance Economizer (Downflow) Includes Barometric Exhaust Dampers and Exhaust Hood	Z1ECON32A-2	14D95	OX	OX	OX	OX	OX
High Performance Economizer (Horizontal) Includes Barometric Exhaust Dampers and Exhaust Hood	Z1ECON33A-2	14D93	X	X	X	X	X
High Performance Economizer Controls (Not for Title 24)							
Single Enthalpy Control	C1SNSR61FF1	11G21	X	X	X	X	X
OUTDOOR AIR							
Outdoor Air Dampers With Outdoor Air Hood							
Motorized	Z1DAMP21A-1	95W74	X	X	X	X	X
Manual	Z1DAMP11A-1	95W73	X	X	X	X	X
POWER EXHAUST FAN							
Standard Static (Downflow)	208/230V-1 or 3ph - Z1PWRE10A-1P	21E01	X	X	X	X	X
	460V-3ph - Z1PWRE10A-1G	23E01	X	X	X	X	X
Standard Static (Horizontal)	208/230V-1 or 3ph - Z1PWRE15A-1P	24E01	X	X	X	X	X
	460V-3ph - Z1PWRE15A-1G	28E01	X	X	X	X	X
575V Transformer Kit	575V-3ph - Z1TRFM20A-1J	59E02	X	X	X	X	X
NOTE - Order 575V Transformer Kit with 208/230V Power Exhaust Fan for 575V applications.							
INDOOR AIR QUALITY							
Indoor Air Quality (Co₂) Sensors							
Sensor - Wall-mount, off-white plastic cover with LCD display	C0SNSR50AE1L	77N39	X	X	X	X	X
Sensor - Wall-mount, black plastic case, no display, rated for plenum mounting	C0SNSR53AE1L	87N54	X	X	X	X	X
CO ₂ Sensor Duct Mounting Kit - for downflow applications	C0MISC19AE1	85L43	X	X	X	X	X
Aspiration Box - for duct mounting non-plenum rated CO ₂ sensor (77N39)	C0MISC16AE1	90N43	X	X	X	X	X
ROOF CURBS							
Hybrid Roof Curbs, Downflow							
8 in. height	Z1CURB70A-1	11F76	X	X	X	X	X
14 in. height	Z1CURB71A-1	11F77	X	X	X	X	X
18 in. height	Z1CURB72A-1	11F78	X	X	X	X	X
24 in. height	Z1CURB73A-1	11F79	X	X	X	X	X
CEILING DIFFUSERS							
Step-Down - Order one	RTD9-65-R	27G87	X	X	X		
	RTD11-95	29G04				X	X
Flush - Order one	FD9-65-R	27G86	X	X	X		
	FD11-95	29G08				X	X
NOTE - Ceiling Diffuser Transitions are not furnished and must be field fabricated.							
NOTE - The catalog and model numbers that appear here are for ordering field installed accessories only.							
OX - Field Installed or Configure to Order (factory installed)							
O - Configure to Order (Factory Installed)							
X - Field Installed.							

SPECIFICATIONS - ZGA

General Data		Nominal Tonnage	3 Ton	4 Ton	5 Ton	6 Ton
Model No.			ZGA036S4B	ZGA048S4B	ZGA060S4B	ZGA072S4B
Efficiency Type			Standard	Standard	Standard	Standard
Blower Type			Single Speed Belt Drive	Single Speed Belt Drive	Single Speed Belt Drive	Single Speed Belt Drive
Cooling Performance	Gross Cooling Capacity - Btuh		36,100	47,000	58,900	69,700
	Net Cooling Capacity - Btuh		¹ 34,600	¹ 45,000	¹ 57,000	² 68,000
	AHRI Rated Air Flow - cfm		1200	1550	1650	2025
	³ Sound Rating Number (SRN) (dBA)		77	80	83	84
	Total Unit Power - kW		3.0	4.3	5.3	6.1
	SEER (Btuh/Watt)		¹ 13.00	¹ 13.00	¹ 13.00	---
	IEER (Btuh/Watt)		---	---	---	² 12.00
	EER (Btuh/Watt)		¹ 11.50	¹ 10.60	¹ 10.70	² 11.20
Refrigerant	Type		R-410A	R-410A	R-410A	R-410A
	Charge Furnished		4 lbs. 1 oz.	4 lbs. 6 oz.	5 lbs. 6 oz.	7 lbs. 0 oz.
Gas Heating Options - See page 13			Standard (1 Stage) or Medium (1 or 2 Stage)	Standard (1 Stage), Medium (1 or 2 Stage) or High (1 or 2 Stage)		
Compressor Type (one per unit)			Scroll	Scroll	Scroll	Scroll
Outdoor Coil	Net face area - sq. ft.		12.8	12.8	15.2	19.9
	Number of rows		1	1	1	1
	Fins / inch		23	23	23	23
Outdoor Coil Fan	Motor HP		(1) 1/6 (PSC)	(1) 1/4 (PSC)	(1) 1/3 (PSC)	(1) 1/3 (PSC)
	Motor rpm		825	825	1075	1075
	Total motor watts		200	310	360	350
	Diameter (No.) - in.		(1) 22	(1) 22	(1) 22	(1) 22
	Number of blades		4	4	3	3
	Total air volume - cfm		2700	3300	3800	4270
	Indoor Coil	Net face area - sq. ft.		8.4	8.4	8.4
Tube diameter - in.			3/8	3/8	3/8	3/8
Number of rows			2	2	3	3
Fins per inch			14	14	14	14
Drain Connection (no. and size) - in.			(1) 1 NPT	(1) 1 NPT	(1) 1 NPT	(1) 1 NPT
Expansion device type			Fixed Orifice	Fixed Orifice	Fixed Orifice	Fixed Orifice
³ Indoor Blower & Drive Selection		Nominal Motor HP		1 hp, 1.5 hp	1 hp, 1.5 hp	1 hp, 1.5 hp
	Maximum Usable Motor HP		1.15 hp, 1.7 hp	1.15 hp, 1.7 hp	1.15 hp, 1.7 hp	1.15 hp, 1.7 hp, 2.3 hp
	Available Drive Kits		Kit #ZA01 678-1035 rpm	Kit #ZA02 803-1226 rpm	Kit #ZA03 906-1383 rpm	Kit #ZAA02 632-875 rpm
			Kit #ZA04 964-1471 rpm	⁴ Kit #ZA05 1098-1490 rpm	⁴ Kit #ZA06 1262-1634 rpm	Kit #ZAA03 798-1105 rpm ⁵ ZAA04 921-1228 rpm
Wheel nominal diameter x width - in.			10 x 10	10 x 10	10 x 10	15 X 9
Filters	Type		Disposable			
	Number and size - in.		(4) 14 x 20 x 2			(2) 16 X 20 X 2 (2) 20 X 20 X 2
Electrical Characteristics - 60 Hz			208/230V, 460V & 575V 3 phase	208/230V 460V & 575V 3 phase	208/230V 460V & 575V 3 phase	208/230V 460V & 575V 3 phase

NOTE - Net capacity includes evaporator blower motor heat deduction. Gross capacity does not include evaporator blower motor heat deduction.

¹, ² AHRI Certified to AHRI Standard ¹ 210/240 or ² 340/360: 95°F outdoor air temperature and 80°F db/67°F wb entering evaporator air; minimum external duct static pressure.

³ Sound Rating Number (SRN) rated in accordance with test conditions included in ANSI/AHRI Standard 270-2008.

³ Using total air volume and system static pressure requirements determine from blower performance tables rpm and motor hp required. Maximum usable hp of motors furnished are shown. In Canada, nominal motor hp is also maximum usable motor hp output. If motors of comparable hp are used, be sure to keep within the service factor limitations outlined on the motor nameplate.

⁴ 1.5 hp motor is required with the ZA05 and ZA06 drive kits.

⁵ 2 hp blower motor is required with the ZAA04 drive kit.

SPECIFICATIONS - ZGB

General Data		Nominal Tonnage	3 Ton	4 Ton	5 Ton	6 Ton
Model No.			ZGB036S4B	ZGB048S4B	ZGB060S4B	ZGB074S4T
Efficiency Type			Standard	Standard	Standard	Standard
Blower Type			Single Speed Belt Drive	Single Speed Belt Drive	Single Speed Belt Drive	Two Speed Belt Drive
Cooling Performance	Gross Cooling Capacity - Btuh		36,200	46,700	58,300	68,500
	Net Cooling Capacity - Btuh		¹ 35,000	¹ 45,500	¹ 57,000	² 67,000
	AHRI Rated Air Flow - cfm		1190	1380	1725	2200
	³ Sound Rating Number (SRN) (dBA)		77	80	78	84
	Total Unit Power - kW		3.0	4.1	5.1	² 6.0
	SEER (Btuh/Watt)		¹ 14.00	¹ 14.00	¹ 14.00	---
	IEER (Btuh/Watt)		---	---	---	² 15.00
EER (Btuh/Watt)		¹ 11.70	¹ 11.20	¹ 11.20	² 11.20	
Refrigerant	Type		R-410A	R-410A	R-410A	R-410A
	Charge Furnished		5 lbs. 2 oz.	5 lbs. 4 oz.	7 lbs. 5 oz.	7 lbs. 3 oz.
Gas Heating Options - See page 13			Standard (1 Stage) or Medium (1 or 2 Stage)	Standard (1 Stage), Medium (1 or 2 Stage) or High (1 or 2 Stage)		
Compressor Type (one per unit)			Scroll	Scroll	Scroll	Two-Stage Scroll
Outdoor Coil	Net face area - sq. ft.		15.2	15.2	19.9	19.9
	Number of rows		1	1	1	1
	Fins / inch		23	23	23	23
Outdoor Coil Fan	Motor HP		(1) 1/4	(1) 1/4	(1) 1/4	(1) 1/3
	Motor rpm		825	825	825	1075
	Total motor watts		310	310	310	365
	Diameter (No.) - in.		(1) 22	(1) 22	(1) 22	(1) 22
	Number of blades		4	4	4	3
	Total air volume - cfm		3700	3700	3700	4270
Indoor Coil	Net face area - sq. ft.		8.40	8.4	10.8	10.8
	Tube diameter - in.		3/8	3/8	3/8	3/8
	Number of rows		3	3	3	3
	Fins per inch		14	14	14	14
	Drain Connection (no. and size) - in.		(1) 1 NPT	(1) 1 NPT	(1) 1 NPT	(1) 1 NPT
	Expansion device type		Fixed Orifice	Fixed Orifice	Fixed Orifice	Balance Port TXV, removable head
	⁴ Indoor Blower & Drive Selection	Nominal Motor HP		0.75 hp, ⁵ 1 hp, 1.5 hp	0.75 hp, ⁵ 1 hp, 1.5 hp	0.75 hp, ⁵ 1 hp, 1.5 hp
Maximum Usable Motor HP			0.86, 1.15 hp, 1.7 hp	0.86, 1.15 hp, 1.7 hp	0.86, 1.15 hp, 1.7 hp	2.3 hp
Available Drive Kits			Kit #ZA01 678-1035 rpm	Kit #ZA02 803-1226 rpm	Kit #ZA03 906-1383 rpm	ZAA02 632-875 rpm
			Kit #ZA04 964-1471 rpm	⁶ Kit #ZA05 1098-1490 rpm	⁶ Kit #ZA06 1262-1634 rpm	ZAA03 798-1105 rpm ZAA04 921-1228 rpm
Wheel nominal diameter x width - in.			10 x 10	10 x 10	10 x 10	15 x 9
Filters	Type		Disposable			
	Number and size - in.		(4) 14 x 20 x 2		(2) 16 X 20 X 2 (2) 20 X 20 X 2	(2) 20 x 20 x 2 (2) 16 x 20 x 2
Electrical Characteristics - 60 Hz			208/230V 1 phase	208/230V, 1 phase	208/230V, 1 phase	208/230V, 460V or 575V – 60 hertz 3 phase
			208/230V, 460V & 575V 3 phase	208/230V 460V & 575V 3 phase	208/230V 460V & 575V 3 phase	

NOTE - Net capacity includes evaporator blower motor heat deduction. Gross capacity does not include evaporator blower motor heat deduction.

¹, ² AHRI Certified to AHRI Standard ¹ 210/240 or ² 340/360: 95°F outdoor air temperature and 80°F db/67°F wb entering evaporator air; minimum external duct static pressure.

³ Sound Rating Number (SRN) rated in accordance with test conditions included in ANSI/AHRI Standard 270-2008.

⁴ Using total air volume and system static pressure requirements determine from blower performance tables rpm and motor hp required. Maximum usable hp of motors furnished are shown. In Canada, nominal motor hp is also maximum usable motor hp output. If motors of comparable hp are used, be sure to keep within the service factor limitations outlined on the motor nameplate.

⁵ 1 hp blower motor is not available for 208/230V-1ph applications.

⁶ 1.5 hp motor is required with the ZA05 and ZA06 drive kits.

SPECIFICATIONS - STANDARD GAS HEAT - THREE PHASE MODELS

Model No.	036, 048, 060	072, 074	036, 048, 060	072, 074	036, 048, 060	072, 074	048, 060	072, 074	048, 060	072, 074
Heat Input Type	Standard (1 Stage)		Medium (1 Stage)		Medium (2 Stage)		High (1 Stage)		High (2 Stage)	
Input Btuh	65,000		108,000		81,000		150,000		113,000	
1st Stage	65,000		108,000		81,000		150,000		113,000	
2nd Stage	---		---		108,000		---		150,000	
Output Btuh	52,000		86,000		65,000		120,000		90,000	
1st Stage	52,000		86,000		65,000		120,000		90,000	
2nd Stage	---		---		86,000		---		120,000	
Temperature Rise Range - °F	15 - 45	5 - 35	35 - 65	20 - 50	20 - 50	10 - 40	45 - 75	35 - 55	30 - 60	25 - 55
1st stage	15 - 45	5 - 35	35 - 65	20 - 50	20 - 50	10 - 40	45 - 75	35 - 55	30 - 60	25 - 55
2nd Stage	---	---	---	---	35 - 65	20 - 50	---	---	45 - 75	35 - 65
¹ Thermal Efficiency	Standard	80%	80%	80%	80%	80%	80%	80%	80%	80%
Gas Supply Connections	1/2 in. NPT									
Rec. Gas Supply Pressure - Nat./ LPG	7 in.w.g. / 11 in.w.g.									

¹ Thermal Efficiency at full input.

SPECIFICATIONS - LOW NOX GAS HEAT - SINGLE AND THREE PHASE MODELS

Model No.	036, 048, 060	072, 074	036, 048, 060	072, 074	036, 048, 060	072, 074	048, 060	072, 074	048, 060	072, 074
Heat Input Type	Standard (1 Stage)		Medium (1 Stage)		Medium (2 Stage)		High (1 Stage)		High (2 Stage)	
Input Btuh	65,000		108,000		81,000		150,000		113,000	
1st Stage	65,000		108,000		81,000		150,000		113,000	
2nd Stage	---		---		108,000		---		150,000	
Output Btuh	52,000		87,000		66,000		121,000		92,000	
1st Stage	52,000		87,000		66,000		121,000		92,000	
2nd Stage	---		---		87,000		---		121,000	
Temperature Rise Range - °F	15 - 45	5 - 35	35 - 65	20 - 50	20 - 50	10 - 40	45 - 75	35 - 65	30 - 60	25 - 55
1st stage	15 - 45	5 - 35	35 - 65	20 - 50	20 - 50	10 - 40	45 - 75	35 - 65	30 - 60	25 - 55
2nd Stage	---	---	---	---	35 - 65	20 - 50	---	---	45 - 75	35 - 65
¹ AFUE (single phase)	81%	81%	81%	---	81%	---	81%	---	81%	---
² Thermal Efficiency (three phase)	---	81%	81%	81%	81%	81%	81%	81%	81%	81%
Gas Supply Connections	1/2 in. NPT									
Rec. Gas Supply Pressure - Nat./ LPG	7 in.w.g. / 11 in.w.g.									

¹ Annual Fuel Utilization Efficiency based on U.S. DOE test procedures and FTC labeling regulations - 1 phase models only.

² Thermal Efficiency at full input.

HIGH ALTITUDE DERATE

NOTE - Units may be installed at altitudes up to 2000 ft. above sea level without any modifications. At altitudes above 2000 ft. units must be derated to match information in the table shown. At altitudes above 4500 ft. unit must be derated 2% for each 1000 ft. above sea level.
NOTE - This is the only permissible derate for these units.

Heat Input Type	Altitude Feet	Gas Manifold Pressure in. w.g.		Input Rate (Btuh)
		Natural Gas	LPG/ Propane	
Standard (1 stage)	2001 - 4500	3.0	9.0	60,000
Medium (1 stage)	2001 - 4500	3.0	9.0	100,000
Medium (2 stage)	2001 - 4500	3.0/1.7	9.0/5.1	100,000 / 75,000
High (1 stage)	2001 - 4500	3.0	9.0	139,000
High (2 stage)	2001 - 4500	3.0/1.7	9.0/5.1	139,000 / 104,000

RATINGS - ZGA

NOTE - For Temperatures and Capacities not shown in tables, see bulletin - Cooling Unit Rating Table Correction Factor Data in Miscellaneous Engineering Data section.

3 TON STANDARD EFFICIENCY ZGA036S4

Entering Wet Bulb Temperature	Total Air Volume	Outdoor Air Temperature Entering Outdoor Coil																			
		85°F					95°F					105°F					115°F				
		Total Cool Cap.	Comp. Motor Input	Sensible To Total Ratio (S/T)			Total Cool Cap.	Comp. Motor Input	Sensible To Total Ratio (S/T)			Total Cool Cap.	Comp. Motor Input	Sensible To Total Ratio (S/T)			Total Cool Cap.	Comp. Motor Input	Sensible To Total Ratio (S/T)		
				Dry Bulb					Dry Bulb					Dry Bulb					Dry Bulb		
cfm	kBtuh	kW	75°F	80°F	85°F	kBtuh	kW	75°F	80°F	85°F	kBtuh	kW	75°F	80°F	85°F	kBtuh	kW	75°F	80°F	85°F	
63°F	960	33.5	2.11	.69	.84	.97	31.0	2.40	.69	.84	.99	27.8	2.71	.69	.86	1.00	23.6	3.04	.70	.90	1.00
	1200	36.0	2.11	.75	.91	1.00	33.4	2.41	.75	.92	1.00	30.0	2.73	.75	.95	1.00	25.5	3.05	.78	.99	1.00
	1440	38.0	2.12	.79	.97	1.00	35.2	2.42	.80	.98	1.00	31.8	2.74	.81	1.00	1.00	27.3	3.06	.85	1.00	1.00
67°F	960	36.0	2.11	.53	.67	.81	33.4	2.41	.52	.67	.81	30.1	2.73	.50	.67	.83	25.6	3.05	.49	.68	.87
	1200	38.6	2.12	.57	.73	.87	35.8	2.42	.56	.73	.89	32.2	2.74	.55	.74	.91	27.3	3.06	.55	.77	.96
	1440	40.5	2.13	.60	.77	.94	37.4	2.43	.60	.78	.95	33.6	2.74	.59	.80	.98	28.7	3.07	.60	.84	1.00
71°F	960	38.4	2.12	.38	.53	.65	35.6	2.42	.36	.52	.65	32.2	2.74	.34	.50	.65	27.5	3.06	.31	.49	.67
	1200	41.1	2.13	.41	.57	.71	38.1	2.43	.40	.56	.71	34.4	2.75	.37	.55	.72	29.4	3.07	.35	.55	.75
	1440	43.0	2.14	.43	.60	.76	39.9	2.44	.42	.59	.76	36.0	2.76	.40	.59	.78	30.6	3.08	.35	.60	.82

4 TON STANDARD EFFICIENCY ZGA048S4

Entering Wet Bulb Temperature	Total Air Volume	Outdoor Air Temperature Entering Outdoor Coil																			
		85°F					95°F					105°F					115°F				
		Total Cool Cap.	Comp. Motor Input	Sensible To Total Ratio (S/T)			Total Cool Cap.	Comp. Motor Input	Sensible To Total Ratio (S/T)			Total Cool Cap.	Comp. Motor Input	Sensible To Total Ratio (S/T)			Total Cool Cap.	Comp. Motor Input	Sensible To Total Ratio (S/T)		
				Dry Bulb					Dry Bulb					Dry Bulb					Dry Bulb		
cfm	kBtuh	kW	75°F	80°F	85°F	kBtuh	kW	75°F	80°F	85°F	kBtuh	kW	75°F	80°F	85°F	kBtuh	kW	75°F	80°F	85°F	
63°F	1280	46.0	3.09	.71	.85	.97	42.9	3.48	.71	.86	.99	39.5	3.93	.71	.87	1.00	34.3	4.48	.73	.91	1.00
	1600	49.1	3.09	.76	.91	1.00	45.7	3.48	.77	.93	1.00	41.9	3.94	.78	.95	1.00	36.3	4.50	.81	.99	1.00
	1920	51.5	3.09	.81	.97	1.00	47.8	3.49	.82	.99	1.00	43.9	3.96	.83	1.00	1.00	38.4	4.51	.87	1.00	1.00
67°F	1280	49.2	3.09	.55	.69	.81	45.9	3.49	.54	.69	.83	42.3	3.94	.53	.69	.84	36.9	4.50	.53	.71	.88
	1600	52.5	3.10	.58	.74	.88	48.9	3.49	.58	.75	.89	44.9	3.96	.58	.76	.92	38.9	4.52	.58	.79	.97
	1920	55.0	3.10	.62	.79	.94	51.1	3.50	.61	.80	.96	46.8	3.98	.62	.81	.99	40.4	4.53	.63	.86	1.00
71°F	1280	52.3	3.10	.41	.54	.67	48.8	3.49	.40	.54	.67	44.9	3.96	.38	.53	.68	39.2	4.52	.36	.53	.70
	1600	55.8	3.11	.42	.58	.72	51.9	3.50	.42	.58	.73	47.6	3.97	.40	.57	.74	41.4	4.54	.38	.58	.77
	1920	58.3	3.11	.44	.61	.77	54.2	3.51	.43	.61	.78	49.6	3.99	.42	.62	.80	42.9	4.55	.41	.64	.84

5 TON STANDARD EFFICIENCY ZGA060S4

Entering Wet Bulb Temperature	Total Air Volume	Outdoor Air Temperature Entering Outdoor Coil																			
		85°F					95°F					105°F					115°F				
		Total Cool Cap.	Comp. Motor Input	Sensible To Total Ratio (S/T)			Total Cool Cap.	Comp. Motor Input	Sensible To Total Ratio (S/T)			Total Cool Cap.	Comp. Motor Input	Sensible To Total Ratio (S/T)			Total Cool Cap.	Comp. Motor Input	Sensible To Total Ratio (S/T)		
				Dry Bulb					Dry Bulb					Dry Bulb					Dry Bulb		
cfm	kBtuh	kW	75°F	80°F	85°F	kBtuh	kW	75°F	80°F	85°F	kBtuh	kW	75°F	80°F	85°F	kBtuh	kW	75°F	80°F	85°F	
63°F	1600	56.5	3.67	.73	.87	1.00	52.4	4.13	.74	.90	1.00	48.0	4.65	.76	.93	1.00	43.0	5.26	.78	.97	1.00
	2000	59.4	3.70	.78	.95	1.00	55.1	4.16	.80	.98	1.00	50.5	4.69	.83	1.00	1.00	45.9	5.31	.86	1.00	1.00
	2400	61.7	3.72	.84	1.00	1.00	57.7	4.19	.86	1.00	1.00	53.4	4.72	.89	1.00	1.00	48.5	5.36	.94	1.00	1.00
67°F	1600	60.3	3.71	.57	.70	.84	56.0	4.16	.57	.72	.86	51.4	4.70	.57	.73	.89	46.2	5.32	.58	.76	.94
	2000	63.3	3.73	.60	.76	.92	58.8	4.20	.61	.78	.95	53.8	4.74	.62	.81	.99	48.4	5.36	.63	.84	1.00
	2400	65.6	3.76	.64	.82	.99	60.8	4.22	.65	.84	1.00	55.7	4.76	.66	.87	1.00	49.7	5.38	.68	.92	1.00
71°F	1600	64.0	3.74	.42	.55	.68	59.5	4.20	.42	.56	.70	54.7	4.75	.41	.56	.71	49.3	5.37	.40	.57	.74
	2000	67.2	3.77	.44	.59	.74	62.4	4.24	.44	.60	.76	57.3	4.79	.43	.61	.78	51.7	5.42	.43	.63	.82
	2400	69.6	3.80	.45	.63	.80	64.7	4.27	.45	.64	.82	59.3	4.82	.45	.66	.85	53.2	5.45	.45	.68	.90

6 TON STANDARD EFFICIENCY ZGA072S4

Entering Wet Bulb Temperature	Total Air Volume	Outdoor Air Temperature Entering Outdoor Coil																			
		85°F					95°F					105°F					115°F				
		Total Cool Cap.	Comp. Motor Input	Sensible To Total Ratio (S/T)			Total Cool Cap.	Comp. Motor Input	Sensible To Total Ratio (S/T)			Total Cool Cap.	Comp. Motor Input	Sensible To Total Ratio (S/T)			Total Cool Cap.	Comp. Motor Input	Sensible To Total Ratio (S/T)		
				Dry Bulb					Dry Bulb					Dry Bulb					Dry Bulb		
cfm	kBtuh	kW	75°F	80°F	85°F	kBtuh	kW	75°F	80°F	85°F	kBtuh	kW	75°F	80°F	85°F	kBtuh	kW	75°F	80°F	85°F	
63°F	2000	67.6	4.48	0.74	0.89	1.00	62.3	5.03	0.75	0.90	1.00	56.3	5.64	0.76	0.93	1.00	50.0	6.34	0.78	0.96	1.00
	2400	71.1	4.53	0.79	0.94	1.00	65.3	5.07	0.81	0.96	1.00	59.2	5.68	0.82	0.99	1.00	52.9	6.38	0.84	1.00	1.00
	2800	73.7	4.56	0.84	0.99	1.00	67.8	5.10	0.85	1.00	1.00	62.1	5.72	0.87	1.00	1.00	55.9	6.43	0.90	1.00	1.00
67°F	2000	72.5	4.54	0.57	0.72	0.86	66.8	5.09	0.57	0.73	0.87	60.6	5.70	0.57	0.75	0.90	53.9	6.40	0.57	0.76	0.93
	2400	75.8	4.58	0.61	0.78	0.91	69.7	5.13	0.61	0.79	0.94	63.3	5.74	0.61	0.80	0.96	56.2	6.44	0.61	0.83	1.00
	2800	78.2	4.61	0.64	0.82	0.96	72.1	5.16	0.64	0.83	0.99	65.3	5.78	0.64	0.85	1.00	58.1	6.46	0.65	0.88	1.00
71°F	2000	77.2	4.59	0.43	0.57	0.70	71.3	5.14	0.41	0.56	0.71	65.0	5.77	0.40	0.56	0.72	58.1	6.46	0.38	0.56	0.74
	2400	80.7	4.64	0.44	0.60	0.75	74.4	5.19	0.43	0.60	0.77	67.7	5.81	0.41	0.61	0.79	60.2	6.50	0.40	0.61	0.81
	2800	83.2	4.68	0.45	0.63	0.80	76.6	5.23	0.45	0.64	0.82	69.6	5.84	0.44	0.65	0.84	62.0	6.54	0.42	0.65	0.87

RATINGS - ZGB

NOTE - For Temperatures and Capacities not shown in tables, see bulletin - Cooling Unit Rating Table Correction Factor Data in Miscellaneous Engineering Data section.

3 TON STANDARD EFFICIENCY ZGB036S4

Entering Wet Bulb Temperature	Total Air Volume	Outdoor Air Temperature Entering Outdoor Coil																			
		85°F					95°F					105°F					115°F				
		Total Cool Cap.	Comp. Motor Input	Sensible To Total Ratio (S/T)			Total Cool Cap.	Comp. Motor Input	Sensible To Total Ratio (S/T)			Total Cool Cap.	Comp. Motor Input	Sensible To Total Ratio (S/T)			Total Cool Cap.	Comp. Motor Input	Sensible To Total Ratio (S/T)		
				Dry Bulb					Dry Bulb					Dry Bulb					Dry Bulb		
cfm	kBtuh	kW	75°F	80°F	85°F	kBtuh	kW	75°F	80°F	85°F	kBtuh	kW	75°F	80°F	85°F	kBtuh	kW	75°F	80°F	85°F	
63°F	960	34.5	2.06	0.70	0.84	0.99	32.4	2.31	0.71	0.86	1.00	30.2	2.60	0.73	0.90	1.00	27.7	2.94	0.75	0.94	1.00
	1200	36.3	2.07	0.75	0.93	1.00	34.2	2.32	0.77	0.96	1.00	31.8	2.61	0.79	0.99	1.00	29.3	2.94	0.83	1.00	1.00
	1440	37.8	2.07	0.80	1.00	1.00	35.6	2.33	0.83	1.00	1.00	33.5	2.62	0.86	1.00	1.00	30.9	2.95	0.91	1.00	1.00
67°F	960	36.7	2.07	0.55	0.67	0.80	34.5	2.32	0.56	0.69	0.83	32.1	2.61	0.57	0.71	0.86	29.5	2.95	0.58	0.73	0.90
	1200	38.6	2.08	0.58	0.73	0.89	36.2	2.33	0.59	0.75	0.92	33.6	2.62	0.60	0.77	0.95	30.8	2.95	0.62	0.81	1.00
71°F	1440	39.9	2.09	0.61	0.78	0.97	37.4	2.34	0.63	0.81	0.99	34.7	2.63	0.65	0.84	1.00	31.8	2.96	0.66	0.89	1.00
	960	38.7	2.08	0.42	0.54	0.65	36.5	2.33	0.41	0.54	0.67	34.0	2.62	0.41	0.55	0.69	31.3	2.95	0.42	0.57	0.71
	1200	40.7	2.09	0.43	0.57	0.71	38.3	2.35	0.43	0.58	0.73	35.6	2.63	0.43	0.59	0.75	32.7	2.96	0.44	0.61	0.78
	1440	42.1	2.10	0.45	0.60	0.76	39.6	2.35	0.44	0.61	0.78	36.9	2.64	0.45	0.64	0.82	33.7	2.97	0.46	0.65	0.86

4 TON STANDARD EFFICIENCY ZGB048S4

Entering Wet Bulb Temperature	Total Air Volume	Outdoor Air Temperature Entering Outdoor Coil																			
		85°F					95°F					105°F					115°F				
		Total Cool Cap.	Comp. Motor Input	Sensible To Total Ratio (S/T)			Total Cool Cap.	Comp. Motor Input	Sensible To Total Ratio (S/T)			Total Cool Cap.	Comp. Motor Input	Sensible To Total Ratio (S/T)			Total Cool Cap.	Comp. Motor Input	Sensible To Total Ratio (S/T)		
				Dry Bulb					Dry Bulb					Dry Bulb					Dry Bulb		
cfm	kBtuh	kW	75°F	80°F	85°F	kBtuh	kW	75°F	80°F	85°F	kBtuh	kW	75°F	80°F	85°F	kBtuh	kW	75°F	80°F	85°F	
63°F	1280	44.5	2.93	0.72	0.85	0.99	43.1	3.30	0.74	0.88	1.00	41.7	3.74	0.76	0.91	1.00	40.0	4.25	0.79	0.95	1.00
	1600	46.2	2.94	0.76	0.94	1.00	44.7	3.32	0.79	0.97	1.00	43.1	3.76	0.82	1.00	1.00	41.5	4.27	0.85	1.00	1.00
	1920	47.6	2.96	0.82	1.00	1.00	46.1	3.34	0.85	1.00	1.00	44.6	3.78	0.88	1.00	1.00	42.9	4.30	0.92	1.00	1.00
67°F	1280	46.5	2.95	0.58	0.69	0.82	45.1	3.33	0.59	0.71	0.84	43.5	3.76	0.61	0.74	0.88	41.7	4.28	0.63	0.76	0.92
	1600	48.4	2.97	0.60	0.74	0.90	46.7	3.35	0.62	0.76	0.93	45.0	3.79	0.64	0.79	0.97	42.9	4.30	0.66	0.83	1.00
	1920	49.6	2.98	0.63	0.79	0.98	47.8	3.36	0.65	0.82	1.00	45.9	3.80	0.67	0.86	1.00	43.7	4.32	0.70	0.90	1.00
71°F	1280	48.4	2.97	0.44	0.56	0.67	46.9	3.35	0.46	0.58	0.69	45.1	3.79	0.47	0.60	0.71	43.3	4.31	0.49	0.62	0.74
	1600	50.4	2.99	0.45	0.59	0.72	48.6	3.38	0.47	0.61	0.74	46.7	3.82	0.48	0.63	0.77	44.6	4.34	0.51	0.65	0.80
	1920	51.9	3.01	0.47	0.62	0.76	49.8	3.39	0.48	0.64	0.80	47.8	3.84	0.50	0.66	0.83	45.7	4.36	0.52	0.69	0.88

5 TON STANDARD EFFICIENCY ZGB060S4

Entering Wet Bulb Temperature	Total Air Volume	Outdoor Air Temperature Entering Outdoor Coil																			
		85°F					95°F					105°F					115°F				
		Total Cool Cap.	Comp. Motor Input	Sensible To Total Ratio (S/T)			Total Cool Cap.	Comp. Motor Input	Sensible To Total Ratio (S/T)			Total Cool Cap.	Comp. Motor Input	Sensible To Total Ratio (S/T)			Total Cool Cap.	Comp. Motor Input	Sensible To Total Ratio (S/T)		
				Dry Bulb					Dry Bulb					Dry Bulb					Dry Bulb		
cfm	kBtuh	kW	75°F	80°F	85°F	kBtuh	kW	75°F	80°F	85°F	kBtuh	kW	75°F	80°F	85°F	kBtuh	kW	75°F	80°F	85°F	
63°F	1600	55.3	3.63	0.74	0.88	0.99	50.8	4.08	0.74	0.89	1.00	45.8	4.61	0.75	0.91	1.00	40.6	5.23	0.76	0.94	1.00
	2000	58.8	3.65	0.80	0.95	1.00	53.9	4.10	0.81	0.97	1.00	48.9	4.64	0.82	0.99	1.00	43.6	5.27	0.84	1.00	1.00
	2400	61.7	3.66	0.85	1.00	1.00	56.9	4.12	0.86	1.00	1.00	52.1	4.67	0.89	1.00	1.00	46.9	5.32	0.91	1.00	1.00
67°F	1600	59.7	3.65	0.57	0.72	0.85	54.9	4.11	0.56	0.72	0.86	49.9	4.65	0.55	0.73	0.88	44.4	5.28	0.54	0.74	0.91
	2000	63.3	3.67	0.61	0.78	0.92	58.3	4.14	0.60	0.79	0.94	52.9	4.68	0.60	0.81	0.96	47.0	5.31	0.60	0.82	0.99
	2400	66.0	3.69	0.65	0.83	0.98	60.6	4.15	0.65	0.85	1.00	55.1	4.71	0.65	0.87	1.00	49.0	5.35	0.66	0.90	1.00
71°F	1600	63.9	3.67	0.41	0.56	0.70	58.9	4.14	0.39	0.55	0.70	53.8	4.69	0.38	0.55	0.71	48.0	5.33	0.35	0.54	0.72
	2000	67.8	3.70	0.44	0.60	0.76	62.6	4.17	0.42	0.60	0.77	56.9	4.72	0.40	0.60	0.79	50.9	5.37	0.38	0.60	0.81
	2400	70.7	3.72	0.45	0.64	0.82	65.0	4.19	0.44	0.64	0.83	59.2	4.75	0.43	0.65	0.85	53.0	5.40	0.41	0.66	0.88

RATINGS - ZGB

NOTE – For Temperatures and Capacities not shown in tables, see bulletin – Cooling Unit Rating Table Correction Factor Data in Miscellaneous Engineering Data section.

6 TON STANDARD EFFICIENCY ZGB074S4 (1ST STAGE)

Entering Wet Bulb Temperature	Total Air Volume	Outdoor Air Temperature Entering Outdoor Coil																			
		65°F					75°F					85°F					95°F				
		Total Cool Cap.	Comp. Motor Input	Sensible To Total Ratio (S/T)			Total Cool Cap.	Comp. Motor Input	Sensible To Total Ratio (S/T)			Total Cool Cap.	Comp. Motor Input	Sensible To Total Ratio (S/T)			Total Cool Cap.	Comp. Motor Input	Sensible To Total Ratio (S/T)		
				Dry Bulb					Dry Bulb					Dry Bulb					Dry Bulb		
cfm	kBtuh	kW	75°F	80°F	85°F	kBtuh	kW	75°F	80°F	85°F	kBtuh	kW	75°F	80°F	85°F	kBtuh	kW	75°F	80°F	85°F	
63°F	1200	50.3	2.24	0.67	0.79	0.92	47.3	2.56	0.67	0.8	0.94	44.2	2.91	0.67	0.82	0.96	40.7	3.32	0.68	0.83	0.99
	1600	55	2.24	0.73	0.88	1	51.6	2.55	0.74	0.9	1	48.1	2.91	0.74	0.92	1	44.3	3.32	0.76	0.95	1
	2000	58.1	2.23	0.79	0.97	1	54.6	2.55	0.8	0.99	1	51	2.91	0.81	1	1	47.5	3.32	0.84	1	1
67°F	1200	54.1	2.24	0.53	0.65	0.76	51	2.56	0.53	0.65	0.77	47.7	2.91	0.52	0.65	0.78	44.1	3.32	0.52	0.65	0.79
	1600	59	2.23	0.57	0.7	0.84	55.6	2.55	0.57	0.71	0.86	51.9	2.91	0.56	0.72	0.88	48	3.32	0.57	0.73	0.91
	2000	62.4	2.22	0.6	0.76	0.93	58.7	2.54	0.61	0.77	0.95	54.8	2.91	0.61	0.79	0.97	50.7	3.32	0.61	0.81	1
71°F	1200	57.8	2.23	0.41	0.52	0.62	54.6	2.55	0.4	0.52	0.62	51.2	2.91	0.39	0.51	0.63	47.5	3.32	0.37	0.51	0.63
	1600	63.1	2.22	0.43	0.55	0.68	59.5	2.54	0.42	0.56	0.69	55.7	2.91	0.41	0.56	0.7	51.8	3.32	0.4	0.56	0.71
	2000	66.6	2.21	0.44	0.59	0.74	62.9	2.54	0.44	0.6	0.75	58.8	2.9	0.43	0.6	0.76	54.5	3.31	0.43	0.6	0.78

6 TON STANDARD EFFICIENCY ZGB074S4 (2ND STAGE)

Entering Wet Bulb Temperature	Total Air Volume	Outdoor Air Temperature Entering Outdoor Coil																			
		85°F					95°F					105°F					115°F				
		Total Cool Cap.	Comp. Motor Input	Sensible To Total Ratio (S/T)			Total Cool Cap.	Comp. Motor Input	Sensible To Total Ratio (S/T)			Total Cool Cap.	Comp. Motor Input	Sensible To Total Ratio (S/T)			Total Cool Cap.	Comp. Motor Input	Sensible To Total Ratio (S/T)		
				Dry Bulb					Dry Bulb					Dry Bulb					Dry Bulb		
cfm	kBtuh	kW	75°F	80°F	85°F	kBtuh	kW	75°F	80°F	85°F	kBtuh	kW	75°F	80°F	85°F	kBtuh	kW	75°F	80°F	85°F	
63°F	1920	64	4.13	0.71	0.87	1	59.7	4.66	0.72	0.89	1	55.1	5.27	0.74	0.92	1	50.2	5.97	0.76	0.96	1
	2400	67.5	4.16	0.77	0.96	1	62.8	4.7	0.79	0.98	1	58.2	5.31	0.81	1	1	53.5	6.01	0.84	1	1
	2880	70.2	4.19	0.83	1	1	66.1	4.73	0.85	1	1	61.6	5.35	0.88	1	1	56.6	6.05	0.92	1	1
67°F	1920	68.4	4.17	0.55	0.69	0.83	64	4.71	0.55	0.7	0.85	59	5.32	0.56	0.72	0.88	54	6.02	0.56	0.73	0.92
	2400	72	4.21	0.59	0.75	0.92	67.2	4.75	0.59	0.77	0.95	62	5.36	0.6	0.79	0.98	56.8	6.05	0.61	0.82	1
	2880	74.6	4.24	0.63	0.81	0.99	69.4	4.78	0.63	0.83	1	64	5.38	0.64	0.86	1	58.5	6.07	0.66	0.9	1
71°F	1920	72.6	4.22	0.41	0.54	0.67	68	4.76	0.41	0.54	0.68	63	5.37	0.39	0.55	0.69	57.7	6.06	0.39	0.55	0.71
	2400	76.3	4.26	0.43	0.58	0.73	71.3	4.8	0.42	0.59	0.74	66.3	5.41	0.41	0.59	0.76	60.7	6.1	0.41	0.6	0.79
	2880	79.1	4.3	0.44	0.62	0.79	74	4.84	0.44	0.63	0.81	68.3	5.44	0.44	0.64	0.84	62.7	6.14	0.43	0.66	0.87

BLOWER DATA - BELT DRIVE - ZGA036

BLOWER TABLE INCLUDES RESISTANCE FOR BASE UNIT ONLY WITH DRY INDOOR COIL AND AIR FILTERS IN PLACE.

FOR ALL UNITS ADD:

1 - Any factory installed options air resistance (heat section, economizer, wet coil, etc.).

2 - Any field installed accessories air resistance (duct resistance, diffuser, etc.).

See page 26 for blower motors and drives and wet coil and options/accessory air resistance data.

DOWNFLOW

Air Volume cfm	External Static - in. w.g.															
	0.10		0.20		0.30		0.40		0.50		0.60		0.70		0.80	
	RPM	BHP	RPM	BHP	RPM	BHP	RPM	BHP	RPM	BHP	RPM	BHP	RPM	BHP	RPM	BHP
	Field Furnished				Kit Z01											
900	566	0.16	631	0.18	699	0.19	768	0.21	836	0.22	901	0.25	961	0.27	1016	0.29
1000	591	0.18	656	0.20	724	0.21	793	0.23	859	0.25	922	0.27	979	0.30	1032	0.33
1100	618	0.20	684	0.22	752	0.24	819	0.26	883	0.28	944	0.31	998	0.34	1049	0.37
1200	648	0.23	715	0.25	782	0.27	847	0.29	910	0.32	967	0.35	1020	0.38	1068	0.42
1300	681	0.26	748	0.28	814	0.30	878	0.33	937	0.36	992	0.39	1043	0.43	1089	0.47
1400	718	0.29	783	0.32	848	0.34	909	0.37	966	0.41	1018	0.44	1067	0.48	1112	0.52
1500	757	0.33	821	0.36	883	0.39	941	0.42	995	0.46	1046	0.50	1092	0.54	1136	0.57

Air Volume cfm	External Static - in. w.g.															
	0.90		1.00		1.10		1.20		1.30		1.40		1.50		1.60	
	RPM	BHP	RPM	BHP	RPM	BHP	RPM	BHP	RPM	BHP	RPM	BHP	RPM	BHP	RPM	BHP
	Kit Z04															
900	1067	0.32	1115	0.35	1161	0.37	1205	0.40	1247	0.43	1287	0.47	1326	0.50	1365	0.53
1000	1081	0.36	1128	0.39	1173	0.41	1216	0.44	1258	0.48	1297	0.51	1336	0.54	1374	0.58
1100	1097	0.40	1143	0.43	1187	0.46	1229	0.49	1270	0.52	1309	0.56	1347	0.59	1384	0.63
1200	1115	0.45	1159	0.48	1202	0.51	1244	0.54	1284	0.58	1323	0.61	1360	0.65	1397	0.69
1300	1134	0.50	1177	0.53	1219	0.56	1260	0.60	1300	0.63	1338	0.67	1375	0.71	1411	0.75
1400	1155	0.55	1197	0.59	1238	0.62	1278	0.66	1317	0.70	1354	0.74	1391	0.78	1426	0.82
1500	1177	0.61	1218	0.65	1258	0.68	1298	0.72	1336	0.76	1373	0.81	1409	0.85	1443	0.89

HORIZONTAL

Air Volume cfm	External Static - in. w.g.															
	0.10		0.20		0.30		0.40		0.50		0.60		0.70		0.80	
	RPM	BHP	RPM	BHP	RPM	BHP	RPM	BHP	RPM	BHP	RPM	BHP	RPM	BHP	RPM	BHP
	Field Furnished				Kit Z01											
900	566	0.13	634	0.16	704	0.18	773	0.20	839	0.23	902	0.25	961	0.28	1016	0.31
1000	590	0.16	658	0.18	728	0.20	795	0.23	860	0.25	920	0.28	977	0.31	1030	0.34
1100	615	0.18	685	0.20	754	0.23	820	0.26	883	0.29	941	0.32	995	0.35	1046	0.38
1200	644	0.21	714	0.23	782	0.26	847	0.29	908	0.33	963	0.36	1015	0.39	1064	0.42
1300	676	0.24	746	0.27	814	0.30	876	0.33	934	0.37	987	0.41	1037	0.44	1083	0.47
1400	713	0.28	782	0.31	847	0.35	907	0.38	962	0.42	1013	0.45	1060	0.49	1105	0.52
1500	755	0.33	821	0.36	883	0.39	939	0.43	991	0.47	1039	0.50	1085	0.54	1128	0.57

Air Volume cfm	External Static - in. w.g.															
	0.90		1.00		1.10		1.20		1.30		1.40		1.50		1.60	
	RPM	BHP	RPM	BHP	RPM	BHP	RPM	BHP	RPM	BHP	RPM	BHP	RPM	BHP	RPM	BHP
	Kit Z04															
900	1068	0.33	1118	0.36	1165	0.38	1211	0.41	1254	0.44	1294	0.47	1332	0.50	1369	0.54
1000	1080	0.37	1128	0.39	1175	0.42	1219	0.45	1262	0.48	1302	0.51	1340	0.55	1377	0.58
1100	1094	0.41	1141	0.43	1186	0.46	1230	0.49	1272	0.52	1311	0.56	1349	0.60	1386	0.64
1200	1110	0.45	1155	0.48	1200	0.51	1243	0.54	1284	0.58	1323	0.61	1361	0.66	1398	0.70
1300	1128	0.50	1172	0.53	1215	0.56	1258	0.59	1298	0.63	1337	0.67	1375	0.72	1411	0.76
1400	1148	0.55	1191	0.58	1233	0.62	1274	0.65	1314	0.69	1353	0.74	1391	0.79	1427	0.83
1500	1170	0.61	1211	0.64	1252	0.68	1293	0.72	1333	0.76	1371	0.81	1408	0.86	1444	0.91

BLOWER DATA - BELT DRIVE - ZGA048

BLOWER TABLE INCLUDES RESISTANCE FOR BASE UNIT ONLY WITH DRY INDOOR COIL AND AIR FILTERS IN PLACE.

FOR ALL UNITS ADD:

1 - Any factory installed options air resistance (heat section, economizer, wet coil, etc.).

2 - Any field installed accessories air resistance (duct resistance, diffuser, etc.).

See page 26 for blower motors and drives and wet coil and options/accessory air resistance data.

DOWNFLOW

Air Volume cfm	External Static - in. w.g.															
	0.10		0.20		0.30		0.40		0.50		0.60		0.70		0.80	
	RPM	BHP	RPM	BHP	RPM	BHP	RPM	BHP	RPM	BHP	RPM	BHP	RPM	BHP	RPM	BHP
	Field Furnished						Kit Z02									
1200	648	0.23	715	0.25	782	0.27	847	0.29	910	0.32	967	0.35	1020	0.38	1068	0.42
1300	681	0.26	748	0.28	814	0.30	878	0.33	937	0.36	992	0.39	1043	0.43	1089	0.47
1400	718	0.29	783	0.32	848	0.34	909	0.37	966	0.41	1018	0.44	1067	0.48	1112	0.52
1500	757	0.33	821	0.36	883	0.39	941	0.42	995	0.46	1046	0.50	1092	0.54	1136	0.57
1600	798	0.38	860	0.41	919	0.44	974	0.47	1026	0.51	1074	0.55	1119	0.59	1161	0.63
1700	840	0.43	899	0.46	955	0.49	1007	0.53	1057	0.57	1103	0.61	1146	0.66	1187	0.70
1800	882	0.48	938	0.51	991	0.55	1041	0.59	1088	0.63	1132	0.68	1174	0.72	1214	0.77
1900	924	0.54	977	0.58	1027	0.62	1075	0.66	1120	0.70	1163	0.75	1203	0.80	1242	0.85
2000	965	0.61	1016	0.65	1064	0.69	1110	0.74	1153	0.79	1194	0.84	1233	0.89	1271	0.95

Air Volume cfm	External Static - in. w.g.															
	0.90		1.00		1.10		1.20		1.30		1.40		1.50		1.60	
	RPM	BHP	RPM	BHP	RPM	BHP	RPM	BHP	RPM	BHP	RPM	BHP	RPM	BHP	RPM	BHP
	Kit Z02						Kit Z05									
1200	1115	0.45	1159	0.48	1202	0.51	1244	0.54	1284	0.58	1323	0.61	1360	0.65	1397	0.69
1300	1134	0.50	1177	0.53	1219	0.56	1260	0.60	1300	0.63	1338	0.67	1375	0.71	1411	0.75
1400	1155	0.55	1197	0.59	1238	0.62	1278	0.66	1317	0.70	1354	0.74	1391	0.78	1426	0.82
1500	1177	0.61	1218	0.65	1258	0.68	1298	0.72	1336	0.76	1373	0.81	1409	0.85	1443	0.89
1600	1201	0.68	1241	0.71	1280	0.75	1319	0.80	1357	0.84	1393	0.88	1428	0.93	1462	0.97
1700	1226	0.74	1265	0.79	1304	0.83	1342	0.87	1378	0.92	1414	0.96	1448	1.01	1482	1.05
1800	1253	0.82	1291	0.87	1329	0.91	1366	0.96	1402	1.01	1436	1.05	1469	1.10	1502	1.14
1900	1280	0.90	1318	0.95	1355	1.00	1391	1.05	1426	1.10	1459	1.15	1492	1.20	1524	1.24
2000	1309	1.00	1346	1.05	1382	1.10	1417	1.16	1451	1.21	1484	1.25	1515	1.30	1547	1.35

HORIZONTAL

Air Volume cfm	External Static - in. w.g.															
	0.10		0.20		0.30		0.40		0.50		0.60		0.70		0.80	
	RPM	BHP	RPM	BHP	RPM	BHP	RPM	BHP	RPM	BHP	RPM	BHP	RPM	BHP	RPM	BHP
	Field Furnished						Kit Z02									
1200	644	0.21	714	0.23	782	0.26	847	0.29	908	0.33	963	0.36	1015	0.39	1064	0.42
1300	676	0.24	746	0.27	814	0.3	876	0.33	934	0.37	987	0.41	1037	0.44	1083	0.47
1400	713	0.28	782	0.31	847	0.35	907	0.38	962	0.42	1013	0.45	1060	0.49	1105	0.52
1500	755	0.33	821	0.36	883	0.39	939	0.43	991	0.47	1039	0.5	1085	0.54	1128	0.57
1600	798	0.38	860	0.41	918	0.45	971	0.48	1020	0.52	1067	0.55	1110	0.59	1152	0.63
1700	842	0.43	900	0.47	954	0.5	1004	0.54	1051	0.57	1095	0.61	1137	0.65	1177	0.69
1800	885	0.49	940	0.53	990	0.56	1037	0.6	1081	0.63	1124	0.67	1164	0.72	1204	0.76
1900	928	0.56	979	0.59	1026	0.63	1070	0.67	1113	0.71	1153	0.75	1193	0.79	1231	0.84
2000	969	0.63	1017	0.67	1062	0.7	1104	0.74	1145	0.79	1184	0.83	1222	0.88	1259	0.94

Air Volume cfm	External Static - in. w.g.															
	0.90		1.00		1.10		1.20		1.30		1.40		1.50		1.60	
	RPM	BHP	RPM	BHP	RPM	BHP	RPM	BHP	RPM	BHP	RPM	BHP	RPM	BHP	RPM	BHP
	Kit Z02						Kit Z05									
1200	1110	0.45	1155	0.48	1200	0.51	1243	0.54	1284	0.58	1323	0.61	1361	0.66	1398	0.7
1300	1128	0.5	1172	0.53	1215	0.56	1258	0.59	1298	0.63	1337	0.67	1375	0.72	1411	0.76
1400	1148	0.55	1191	0.58	1233	0.62	1274	0.65	1314	0.69	1353	0.74	1391	0.79	1427	0.83
1500	1170	0.61	1211	0.64	1252	0.68	1293	0.72	1333	0.76	1371	0.81	1408	0.86	1444	0.91
1600	1193	0.67	1233	0.71	1273	0.75	1313	0.79	1352	0.84	1390	0.89	1427	0.94	1463	1
1700	1217	0.73	1256	0.78	1296	0.82	1335	0.87	1374	0.93	1411	0.98	1447	1.03	1482	1.09
1800	1242	0.81	1281	0.86	1320	0.91	1359	0.96	1396	1.02	1433	1.07	1468	1.13	1503	1.18
1900	1269	0.9	1307	0.95	1346	1.01	1383	1.06	1420	1.12	1456	1.18	1491	1.23	1525	1.29
2000	1297	0.99	1334	1.05	1372	1.11	1409	1.17	1445	1.23	1480	1.29	1514	1.34	1547	1.4

BLOWER DATA - BELT DRIVE - ZGA060

BLOWER TABLE INCLUDES RESISTANCE FOR BASE UNIT ONLY WITH DRY INDOOR COIL AND AIR FILTERS IN PLACE.

FOR ALL UNITS ADD:

1 - Any factory installed options air resistance (heat section, economizer, wet coil, etc.).

2 - Any field installed accessories air resistance (duct resistance, diffuser, etc.).

See page 26 for blower motors and drives and wet coil and options/accessory air resistance data.

DOWNFLOW

Air Volume cfm	External Static - in. w.g.															
	0.10		0.20		0.30		0.40		0.50		0.60		0.70		0.80	
	RPM	BHP	RPM	BHP	RPM	BHP	RPM	BHP	RPM	BHP	RPM	BHP	RPM	BHP	RPM	BHP
	Field Furnished				Kit Z03											
1600	817	0.39	877	0.42	935	0.45	989	0.48	1040	0.52	1087	0.56	1131	0.60	1173	0.65
1700	859	0.44	917	0.47	972	0.50	1023	0.54	1071	0.58	1117	0.62	1159	0.67	1199	0.71
1800	902	0.49	957	0.53	1008	0.56	1057	0.60	1103	0.64	1147	0.69	1188	0.74	1227	0.79
1900	944	0.56	996	0.59	1045	0.63	1092	0.68	1136	0.72	1178	0.77	1218	0.82	1257	0.87
2000	986	0.63	1035	0.67	1083	0.71	1127	0.76	1170	0.81	1210	0.86	1249	0.91	1287	0.97
2100	1027	0.71	1075	0.75	1120	0.80	1163	0.85	1204	0.90	1243	0.96	1281	1.02	1318	1.07
2200	1069	0.80	1115	0.84	1158	0.90	1200	0.95	1239	1.01	1277	1.07	1314	1.13	1350	1.19
2300	1111	0.90	1155	0.95	1197	1.01	1237	1.07	1275	1.13	1312	1.19	1348	1.25	1383	1.31
2400	1154	1.01	1196	1.07	1236	1.13	1274	1.19	1311	1.25	1347	1.32	1382	1.38	1417	1.45

Air Volume cfm	External Static - in. w.g.															
	0.90		1.00		1.10		1.20		1.30		1.40		1.50		1.60	
	RPM	BHP	RPM	BHP	RPM	BHP	RPM	BHP	RPM	BHP	RPM	BHP	RPM	BHP	RPM	BHP
	Kit Z03								Kit Z06							
1600	1213	0.69	1252	0.73	1292	0.77	1330	0.81	1367	0.85	1403	0.89	1438	0.94	1472	0.98
1700	1239	0.76	1278	0.80	1316	0.84	1354	0.89	1390	0.93	1425	0.98	1459	1.02	1492	1.07
1800	1266	0.83	1304	0.88	1342	0.93	1378	0.98	1414	1.02	1448	1.07	1481	1.12	1514	1.16
1900	1294	0.92	1332	0.97	1369	1.02	1404	1.07	1439	1.12	1472	1.17	1504	1.21	1536	1.26
2000	1324	1.02	1360	1.07	1396	1.13	1431	1.18	1465	1.23	1497	1.27	1529	1.32	1560	1.37
2100	1354	1.13	1390	1.18	1425	1.24	1459	1.29	1491	1.34	1523	1.39	1554	1.43	1585	1.48
2200	1385	1.25	1420	1.30	1454	1.36	1487	1.41	1519	1.46	1550	1.51	1581	1.55	1611	1.60
2300	1418	1.37	1452	1.43	1485	1.48	1517	1.53	1548	1.58	1578	1.63	1608	1.68	1639	1.72
2400	1451	1.51	1484	1.56	1516	1.62	1547	1.67	1578	1.72	1607	1.76	1637	1.81	1667	1.85

HORIZONTAL

Air Volume cfm	External Static - in. w.g.															
	0.10		0.20		0.30		0.40		0.50		0.60		0.70		0.80	
	RPM	BHP	RPM	BHP	RPM	BHP	RPM	BHP	RPM	BHP	RPM	BHP	RPM	BHP	RPM	BHP
	Field Furnished				Kit Z03											
1600	817	0.39	878	0.42	934	0.46	985	0.49	1034	0.53	1080	0.56	1123	0.60	1164	0.64
1700	861	0.45	918	0.48	970	0.51	1018	0.55	1065	0.58	1108	0.62	1150	0.66	1190	0.70
1800	904	0.51	957	0.54	1006	0.57	1052	0.61	1096	0.65	1138	0.69	1178	0.73	1217	0.78
1900	946	0.57	996	0.61	1042	0.64	1086	0.68	1128	0.72	1168	0.76	1207	0.81	1245	0.86
2000	988	0.64	1035	0.68	1079	0.72	1120	0.76	1161	0.81	1199	0.85	1237	0.90	1275	0.96
2100	1028	0.72	1073	0.76	1115	0.81	1155	0.85	1194	0.90	1231	0.95	1268	1.01	1305	1.07
2200	1068	0.81	1111	0.86	1151	0.90	1190	0.95	1227	1.00	1263	1.06	1299	1.12	1336	1.18
2300	1108	0.91	1149	0.96	1188	1.01	1225	1.06	1261	1.12	1296	1.18	1332	1.24	1367	1.31
2400	1148	1.02	1187	1.07	1224	1.13	1260	1.18	1295	1.25	1330	1.31	1365	1.38	1400	1.45

Air Volume cfm	External Static - in. w.g.															
	0.90		1.00		1.10		1.20		1.30		1.40		1.50		1.60	
	RPM	BHP	RPM	BHP	RPM	BHP	RPM	BHP	RPM	BHP	RPM	BHP	RPM	BHP	RPM	BHP
	Kit Z03								Kit Z06							
1600	1204	0.68	1245	0.72	1285	0.76	1325	0.81	1363	0.86	1401	0.91	1437	0.96	1473	1.01
1700	1229	0.75	1269	0.79	1309	0.84	1348	0.89	1386	0.94	1423	1.00	1458	1.05	1493	1.10
1800	1256	0.83	1295	0.88	1334	0.93	1372	0.98	1409	1.04	1445	1.09	1481	1.15	1515	1.20
1900	1283	0.92	1322	0.97	1360	1.03	1397	1.08	1434	1.14	1469	1.20	1504	1.25	1537	1.31
2000	1312	1.02	1350	1.07	1387	1.13	1424	1.19	1459	1.25	1494	1.31	1528	1.37	1561	1.42
2100	1342	1.13	1378	1.19	1415	1.25	1451	1.31	1486	1.37	1519	1.43	1553	1.49	1586	1.54
2200	1372	1.25	1408	1.31	1444	1.37	1479	1.44	1513	1.50	1546	1.56	1579	1.61	1611	1.67
2300	1403	1.38	1438	1.44	1473	1.51	1507	1.57	1541	1.63	1573	1.69	1606	1.75	1638	1.80
2400	1434	1.52	1469	1.58	1503	1.65	1537	1.71	1569	1.77	1601	1.83	1633	1.88	1665	1.94

BLOWER DATA - BELT DRIVE - ZGA072

BLOWER TABLE INCLUDES RESISTANCE FOR BASE UNIT ONLY WITH DRY INDOOR COIL AND AIR FILTERS IN PLACE.

FOR ALL UNITS ADD:

1 - Any factory installed options air resistance (heat section, economizer, wet coil, etc.).

2 - Any field installed accessories air resistance (duct resistance, diffuser, etc.).

See page 26 for blower motors and drives and wet coil and options/accessory air resistance data.

DOWNFLOW

Air Volume cfm	External Static - in. w.g.															
	0.10		0.20		0.30		0.40		0.50		0.60		0.70		0.80	
	RPM	BHP	RPM	BHP	RPM	BHP	RPM	BHP	RPM	BHP	RPM	BHP	RPM	BHP	RPM	BHP
	Field Furn.		Kit ZAA02													
1900	600	0.51	637	0.55	676	0.6	714	0.65	752	0.69	788	0.75	823	0.80	856	0.86
2000	627	0.57	663	0.62	701	0.67	738	0.72	775	0.77	810	0.82	844	0.88	875	0.94
2100	654	0.64	690	0.69	727	0.74	763	0.79	798	0.85	832	0.9	864	0.96	894	1.03
2200	682	0.71	717	0.76	753	0.82	788	0.87	822	0.93	854	0.99	885	1.06	914	1.12
2300	709	0.79	744	0.85	779	0.9	813	0.96	846	1.02	877	1.09	906	1.15	934	1.22
2400	737	0.87	771	0.93	805	0.99	838	1.06	870	1.12	899	1.19	928	1.26	954	1.33
2500	766	0.97	799	1.03	832	1.09	864	1.16	894	1.23	922	1.30	950	1.38	976	1.45
2600	794	1.07	827	1.14	859	1.21	889	1.28	918	1.35	946	1.43	972	1.50	997	1.58
2700	823	1.18	855	1.25	885	1.33	915	1.40	943	1.48	969	1.56	995	1.64	1019	1.71
2800	852	1.30	882	1.38	912	1.46	940	1.54	967	1.62	993	1.70	1018	1.78	1041	1.86
2900	881	1.44	911	1.52	939	1.60	967	1.68	992	1.76	1017	1.85	1041	1.93	1064	2.01

Air Volume cfm	External Static - in. w.g.															
	0.90		1.00		1.10		1.20		1.30		1.40		1.50		1.60	
	RPM	BHP	RPM	BHP	RPM	BHP	RPM	BHP	RPM	BHP	RPM	BHP	RPM	BHP	RPM	BHP
	Kit ZAA03															
1900	886	0.92	914	0.99	940	1.06	965	1.12	991	1.19	1017	1.25	1043	1.32	1070	1.38
2000	904	1.01	930	1.08	956	1.15	981	1.21	1006	1.28	1032	1.35	1058	1.41	1084	1.47
2100	922	1.10	948	1.17	973	1.24	997	1.31	1022	1.38	1047	1.44	1073	1.51	1099	1.57
2200	941	1.20	966	1.27	990	1.34	1015	1.41	1039	1.48	1064	1.55	1089	1.61	1114	1.68
2300	960	1.30	984	1.37	1008	1.45	1032	1.52	1056	1.59	1081	1.66	1106	1.72	1131	1.79
2400	980	1.41	1004	1.49	1027	1.56	1051	1.63	1075	1.7	1099	1.77	1123	1.84	1148	1.91
2500	1000	1.53	1023	1.60	1046	1.68	1070	1.75	1093	1.83	1117	1.90	1142	1.97	1166	2.04
2600	1021	1.66	1043	1.73	1066	1.81	1089	1.88	1113	1.96	1137	2.03	1161	2.10	1185	2.17
2700	1042	1.79	1064	1.87	1087	1.95	1110	2.02	1133	2.09	1157	2.17	1181	2.24	1205	2.32
2800	1063	1.94	1086	2.01	1108	2.09	1131	2.17	1154	2.24	1177	2.32	1201	2.39	1225	2.47
2900	1086	2.09	1107	2.17	1130	2.24	1152	2.32	1175	2.40	1198	2.48	1222	2.55	1245	2.62

HORIZONTAL

Air Volume cfm	External Static - in. w.g.															
	0.10		0.20		0.30		0.40		0.50		0.60		0.70		0.80	
	RPM	BHP	RPM	BHP	RPM	BHP	RPM	BHP	RPM	BHP	RPM	BHP	RPM	BHP	RPM	BHP
	Field Furnished		Kit ZAA02													
1900	555	0.41	593	0.47	633	0.52	673	0.57	713	0.63	752	0.68	789	0.74	824	0.80
2000	573	0.46	612	0.52	652	0.58	692	0.63	731	0.69	769	0.75	805	0.81	839	0.87
2100	592	0.52	632	0.58	671	0.64	711	0.70	750	0.76	787	0.82	822	0.88	855	0.95
2200	613	0.59	652	0.65	692	0.71	731	0.77	769	0.83	804	0.89	838	0.96	870	1.03
2300	635	0.66	674	0.72	713	0.79	751	0.85	788	0.91	823	0.97	855	1.04	887	1.12
2400	658	0.73	697	0.80	735	0.86	772	0.93	808	0.99	841	1.06	873	1.13	903	1.21
2500	682	0.81	720	0.88	757	0.95	793	1.01	827	1.08	859	1.15	890	1.23	919	1.31
2600	706	0.90	743	0.97	779	1.04	814	1.11	847	1.18	878	1.25	907	1.33	936	1.41
2700	731	0.99	767	1.06	802	1.13	835	1.21	866	1.28	896	1.36	925	1.44	953	1.52
2800	756	1.09	790	1.16	824	1.24	856	1.31	886	1.39	915	1.47	943	1.56	970	1.64
2900	780	1.19	814	1.27	846	1.35	876	1.43	906	1.51	934	1.59	961	1.68	987	1.77

Air Volume cfm	External Static - in. w.g.															
	0.90		1.00		1.10		1.20		1.30		1.40		1.50		1.60	
	RPM	BHP	RPM	BHP	RPM	BHP	RPM	BHP	RPM	BHP	RPM	BHP	RPM	BHP	RPM	BHP
	ZAA02		Kit ZAA03													
1900	857	0.87	889	0.93	919	1.00	949	1.06	977	1.13	1003	1.20	1029	1.26	1054	1.33
2000	872	0.94	903	1.01	932	1.08	961	1.15	988	1.21	1015	1.28	1040	1.35	1064	1.42
2100	886	1.02	917	1.09	946	1.16	974	1.23	1000	1.30	1026	1.37	1051	1.44	1074	1.51
2200	901	1.11	931	1.18	959	1.25	987	1.32	1013	1.40	1038	1.46	1062	1.53	1085	1.60
2300	917	1.19	945	1.27	973	1.35	1000	1.42	1026	1.49	1050	1.56	1074	1.63	1096	1.70
2400	932	1.29	960	1.37	987	1.44	1014	1.52	1039	1.60	1063	1.67	1085	1.74	1107	1.81
2500	948	1.39	975	1.47	1002	1.55	1027	1.63	1052	1.70	1075	1.78	1098	1.85	1119	1.92
2600	964	1.49	991	1.58	1017	1.66	1041	1.74	1065	1.82	1088	1.89	1110	1.97	1131	2.04
2700	980	1.61	1006	1.69	1031	1.78	1056	1.86	1079	1.94	1102	2.02	1123	2.09	1144	2.16
2800	996	1.73	1022	1.82	1047	1.90	1071	1.99	1093	2.07	1115	2.15	1136	2.22	1157	2.29
2900	1013	1.86	1038	1.95	1062	2.03	1086	2.12	1108	2.20	1129	2.28	1150	2.36	1171	2.43

BLOWER DATA - BELT DRIVE - ZGB036

BLOWER TABLE INCLUDES RESISTANCE FOR BASE UNIT ONLY WITH DRY INDOOR COIL AND AIR FILTERS IN PLACE.

FOR ALL UNITS ADD:

1 - Any factory installed options air resistance (heat section, economizer, wet coil, etc.).

2 - Any field installed accessories air resistance (duct resistance, diffuser, etc.).

See page 26 for blower motors and drives and wet coil and options/accessory air resistance data.

DOWNFLOW

Air Volume cfm	External Static - in. w.g.															
	0.10		0.20		0.30		0.40		0.50		0.60		0.70		0.80	
	RPM	BHP	RPM	BHP	RPM	BHP	RPM	BHP	RPM	BHP	RPM	BHP	RPM	BHP	RPM	BHP
	Field Furnished				Kit ZA01											
900	573	0.16	639	0.18	707	0.19	776	0.21	844	0.23	908	0.25	967	0.27	1022	0.30
1000	600	0.18	665	0.20	733	0.22	802	0.23	868	0.25	930	0.28	986	0.31	1038	0.33
1100	628	0.21	695	0.22	762	0.24	829	0.26	893	0.29	953	0.31	1007	0.35	1057	0.38
1200	660	0.23	727	0.25	794	0.27	859	0.29	921	0.32	977	0.36	1029	0.39	1077	0.42
1300	695	0.26	761	0.28	827	0.31	890	0.33	949	0.37	1003	0.40	1053	0.44	1099	0.47
1400	734	0.30	799	0.32	862	0.35	923	0.38	978	0.41	1030	0.45	1078	0.49	1122	0.53
1500	775	0.34	837	0.37	898	0.40	955	0.43	1009	0.46	1058	0.50	1104	0.54	1147	0.58

Air Volume cfm	External Static - in. w.g.															
	0.90		1.00		1.10		1.20		1.30		1.40		1.50		1.60	
	RPM	BHP	RPM	BHP	RPM	BHP	RPM	BHP	RPM	BHP	RPM	BHP	RPM	BHP	RPM	BHP
	Kit ZA04															
900	1072	0.32	1120	0.35	1166	0.38	1210	0.41	1252	0.44	1292	0.47	1331	0.5	1370	0.54
1000	1087	0.36	1134	0.39	1179	0.42	1222	0.45	1263	0.48	1303	0.51	1341	0.55	1379	0.58
1100	1104	0.40	1150	0.43	1194	0.46	1236	0.49	1277	0.53	1315	0.56	1353	0.60	1390	0.64
1200	1123	0.45	1167	0.48	1210	0.51	1251	0.55	1291	0.58	1330	0.62	1367	0.66	1403	0.70
1300	1143	0.50	1186	0.54	1228	0.57	1268	0.60	1308	0.64	1346	0.68	1382	0.72	1418	0.76
1400	1165	0.56	1206	0.59	1247	0.63	1287	0.67	1326	0.70	1363	0.75	1399	0.79	1435	0.83
1500	1188	0.62	1229	0.66	1269	0.69	1308	0.73	1346	0.77	1382	0.82	1418	0.86	1453	0.90

HORIZONTAL

Air Volume cfm	External Static - in. w.g.															
	0.10		0.20		0.30		0.40		0.50		0.60		0.70		0.80	
	RPM	BHP	RPM	BHP	RPM	BHP	RPM	BHP	RPM	BHP	RPM	BHP	RPM	BHP	RPM	BHP
	Field Furnished				Kit ZA01											
900	573	0.14	642	0.16	712	0.18	780	0.21	846	0.23	909	0.26	967	0.28	1022	0.31
1000	599	0.16	668	0.18	737	0.21	804	0.23	868	0.26	928	0.29	984	0.32	1037	0.35
1100	626	0.18	695	0.21	764	0.24	830	0.26	892	0.29	950	0.32	1003	0.36	1053	0.39
1200	656	0.21	726	0.24	794	0.27	858	0.30	918	0.33	973	0.37	1024	0.40	1072	0.43
1300	691	0.25	761	0.28	827	0.31	889	0.34	945	0.38	998	0.41	1047	0.45	1093	0.48
1400	731	0.29	798	0.32	862	0.35	920	0.39	974	0.42	1024	0.46	1071	0.49	1115	0.53
1500	773	0.34	838	0.37	898	0.40	952	0.44	1004	0.47	1051	0.51	1096	0.55	1139	0.58

Air Volume cfm	External Static - in. w.g.															
	0.90		1.00		1.10		1.20		1.30		1.40		1.50		1.60	
	RPM	BHP	RPM	BHP	RPM	BHP	RPM	BHP	RPM	BHP	RPM	BHP	RPM	BHP	RPM	BHP
	Kit ZA04															
900	1074	0.33	1123	0.36	1171	0.39	1216	0.41	1260	0.44	1301	0.47	1340	0.49	1378	0.52
1000	1087	0.37	1135	0.40	1181	0.42	1226	0.45	1269	0.48	1310	0.51	1350	0.54	1388	0.57
1100	1101	0.41	1148	0.44	1193	0.47	1237	0.49	1279	0.52	1321	0.55	1360	0.59	1398	0.62
1200	1118	0.46	1163	0.48	1208	0.51	1251	0.54	1293	0.58	1334	0.61	1375	0.64	1414	0.68
1300	1137	0.51	1181	0.53	1224	0.57	1267	0.60	1309	0.63	1350	0.67	1391	0.71	1432	0.75
1400	1158	0.56	1200	0.59	1242	0.62	1284	0.66	1326	0.70	1367	0.74	1407	0.79	1448	0.83
1500	1180	0.61	1222	0.65	1263	0.69	1304	0.73	1345	0.77	1386	0.82	1427	0.87	1467	0.92

BLOWER DATA - BELT DRIVE - ZGB048

BLOWER TABLE INCLUDES RESISTANCE FOR BASE UNIT ONLY WITH DRY INDOOR COIL AND AIR FILTERS IN PLACE.

FOR ALL UNITS ADD:

1 - Any factory installed options air resistance (heat section, economizer, wet coil, etc.).

2 - Any field installed accessories air resistance (duct resistance, diffuser, etc.).

See page 26 for blower motors and drives and wet coil and options/accessory air resistance data.

DOWNFLOW

Air Volume cfm	External Static - in. w.g.															
	0.10		0.20		0.30		0.40		0.50		0.60		0.70		0.80	
	RPM	BHP	RPM	BHP	RPM	BHP	RPM	BHP	RPM	BHP	RPM	BHP	RPM	BHP	RPM	BHP
	Field Furnished						Kit ZA02									
1200	660	0.23	727	0.25	794	0.27	859	0.29	921	0.32	977	0.36	1029	0.39	1077	0.42
1300	695	0.26	761	0.28	827	0.31	890	0.33	949	0.37	1003	0.40	1053	0.44	1099	0.47
1400	734	0.30	799	0.32	862	0.35	923	0.38	978	0.41	1030	0.45	1078	0.49	1122	0.53
1500	775	0.34	837	0.37	898	0.40	955	0.43	1009	0.46	1058	0.50	1104	0.54	1147	0.58
1600	817	0.39	877	0.42	935	0.45	989	0.48	1040	0.52	1087	0.56	1131	0.60	1173	0.65
1700	859	0.44	917	0.47	972	0.50	1023	0.54	1071	0.58	1117	0.62	1159	0.67	1199	0.71
1800	902	0.49	957	0.53	1008	0.56	1057	0.60	1103	0.64	1147	0.69	1188	0.74	1227	0.79
1900	944	0.56	996	0.59	1045	0.63	1092	0.68	1136	0.72	1178	0.77	1218	0.82	1257	0.87
2000	986	0.63	1035	0.67	1083	0.71	1127	0.76	1170	0.81	1210	0.86	1249	0.91	1287	0.97

Air Volume cfm	External Static - in. w.g.															
	0.90		1.00		1.10		1.20		1.30		1.40		1.50		1.60	
	RPM	BHP	RPM	BHP	RPM	BHP	RPM	BHP	RPM	BHP	RPM	BHP	RPM	BHP	RPM	BHP
	Kit ZA02						Kit ZA05									
1200	1123	0.45	1167	0.48	1210	0.51	1251	0.55	1291	0.58	1330	0.62	1367	0.66	1403	0.70
1300	1143	0.50	1186	0.54	1228	0.57	1268	0.60	1308	0.64	1346	0.68	1382	0.72	1418	0.76
1400	1165	0.56	1206	0.59	1247	0.63	1287	0.67	1326	0.70	1363	0.75	1399	0.79	1435	0.83
1500	1188	0.62	1229	0.66	1269	0.69	1308	0.73	1346	0.77	1382	0.82	1418	0.86	1453	0.90
1600	1213	0.69	1252	0.73	1292	0.77	1330	0.81	1367	0.85	1403	0.89	1438	0.94	1472	0.98
1700	1239	0.76	1278	0.80	1316	0.84	1354	0.89	1390	0.93	1425	0.98	1459	1.02	1492	1.07
1800	1266	0.83	1304	0.88	1342	0.93	1378	0.98	1414	1.02	1448	1.07	1481	1.12	1514	1.16
1900	1294	0.92	1332	0.97	1369	1.02	1404	1.07	1439	1.12	1472	1.17	1504	1.21	1536	1.26
2000	1324	1.02	1360	1.07	1396	1.13	1431	1.18	1465	1.23	1497	1.27	1529	1.32	1560	1.37

HORIZONTAL

Air Volume cfm	External Static - in. w.g.															
	0.10		0.20		0.30		0.40		0.50		0.60		0.70		0.80	
	RPM	BHP	RPM	BHP	RPM	BHP	RPM	BHP	RPM	BHP	RPM	BHP	RPM	BHP	RPM	BHP
	Field Furnished						Kit ZA02									
1200	656	0.21	726	0.24	794	0.27	858	0.30	918	0.33	973	0.37	1024	0.40	1072	0.43
1300	691	0.25	761	0.28	827	0.31	889	0.34	945	0.38	998	0.41	1047	0.45	1093	0.48
1400	731	0.29	798	0.32	862	0.35	920	0.39	974	0.42	1024	0.46	1071	0.49	1115	0.53
1500	773	0.34	838	0.37	898	0.40	952	0.44	1004	0.47	1051	0.51	1096	0.55	1139	0.58
1600	817	0.39	878	0.42	934	0.46	985	0.49	1034	0.53	1080	0.56	1123	0.60	1164	0.64
1700	861	0.45	918	0.48	970	0.51	1018	0.55	1065	0.58	1108	0.62	1150	0.66	1190	0.70
1800	904	0.51	957	0.54	1006	0.57	1052	0.61	1096	0.65	1138	0.69	1178	0.73	1217	0.78
1900	946	0.57	996	0.61	1042	0.64	1086	0.68	1128	0.72	1168	0.76	1207	0.81	1245	0.86
2000	988	0.64	1035	0.68	1079	0.72	1120	0.76	1161	0.81	1199	0.85	1237	0.90	1275	0.96

Air Volume cfm	External Static - in. w.g.															
	0.90		1.00		1.10		1.20		1.30		1.40		1.50		1.60	
	RPM	BHP	RPM	BHP	RPM	BHP	RPM	BHP	RPM	BHP	RPM	BHP	RPM	BHP	RPM	BHP
	Kit ZA02						Kit ZA05									
1200	1118	0.46	1163	0.48	1208	0.51	1251	0.54	1293	0.58	1334	0.61	1375	0.64	1414	0.68
1300	1137	0.51	1181	0.53	1224	0.57	1267	0.60	1309	0.63	1350	0.67	1391	0.71	1432	0.75
1400	1158	0.56	1200	0.59	1242	0.62	1284	0.66	1326	0.70	1367	0.74	1407	0.79	1448	0.83
1500	1180	0.61	1222	0.65	1263	0.69	1304	0.73	1345	0.77	1386	0.82	1427	0.87	1467	0.92
1600	1204	0.68	1245	0.72	1285	0.76	1325	0.80	1366	0.85	1406	0.90	1447	0.96	1487	1.02
1700	1229	0.75	1269	0.79	1309	0.84	1348	0.89	1388	0.94	1428	1.00	1468	1.06	1508	1.12
1800	1256	0.83	1295	0.88	1334	0.93	1373	0.98	1412	1.04	1451	1.10	1490	1.16	1529	1.23
1900	1283	0.92	1322	0.97	1360	1.03	1398	1.09	1436	1.15	1474	1.21	1511	1.27	1549	1.34
2000	1312	1.02	1350	1.07	1387	1.13	1424	1.20	1461	1.26	1498	1.32	1535	1.38	1571	1.45

BLOWER DATA - BELT DRIVE - ZGB060

BLOWER TABLE INCLUDES RESISTANCE FOR BASE UNIT ONLY WITH DRY INDOOR COIL AND AIR FILTERS IN PLACE.

FOR ALL UNITS ADD:

1 - Any factory installed options air resistance (heat section, economizer, wet coil, etc.).

2 - Any field installed accessories air resistance (duct resistance, diffuser, etc.).

See page 26 for blower motors and drives and wet coil and options/accessory air resistance data.

DOWNFLOW

Air Volume cfm	External Static - in. w.g.															
	0.10		0.20		0.30		0.40		0.50		0.60		0.70		0.80	
	RPM	BHP	RPM	BHP	RPM	BHP	RPM	BHP	RPM	BHP	RPM	BHP	RPM	BHP	RPM	BHP
	Field Furnished				Kit ZA03											
1600	848	0.48	905	0.53	961	0.57	1015	0.61	1064	0.66	1107	0.69	1148	0.73	1189	0.76
1700	898	0.56	952	0.60	1005	0.65	1054	0.69	1099	0.73	1140	0.77	1180	0.80	1221	0.83
1800	948	0.63	998	0.68	1047	0.73	1093	0.78	1136	0.82	1175	0.85	1214	0.88	1255	0.91
1900	996	0.72	1042	0.77	1088	0.82	1132	0.86	1173	0.90	1211	0.94	1250	0.97	1290	1.00
2000	1041	0.81	1084	0.86	1128	0.91	1170	0.95	1210	0.99	1249	1.03	1287	1.06	1326	1.10
2100	1084	0.91	1126	0.95	1168	1.00	1209	1.04	1249	1.08	1287	1.12	1324	1.17	1362	1.21
2200	1128	1.01	1169	1.05	1210	1.10	1250	1.14	1288	1.19	1326	1.23	1363	1.28	1399	1.34
2300	1173	1.11	1214	1.16	1253	1.20	1292	1.25	1329	1.30	1366	1.36	1402	1.42	1437	1.48
2400	1220	1.23	1259	1.28	1297	1.33	1335	1.38	1371	1.44	1406	1.50	1442	1.57	1476	1.63

Air Volume cfm	External Static - in. w.g.															
	0.90		1.00		1.10		1.20		1.30		1.40		1.50		1.60	
	RPM	BHP	RPM	BHP	RPM	BHP	RPM	BHP	RPM	BHP	RPM	BHP	RPM	BHP	RPM	BHP
	Kit ZA03								Kit ZA06							
1600	1232	0.79	1274	0.82	1316	0.86	1356	0.90	1395	0.94	1433	0.99	1470	1.04	1506	1.09
1700	1263	0.86	1304	0.90	1344	0.94	1383	0.99	1421	1.04	1458	1.09	1494	1.14	1530	1.19
1800	1295	0.95	1335	0.99	1374	1.04	1412	1.09	1448	1.14	1484	1.20	1520	1.25	1556	1.30
1900	1329	1.04	1368	1.09	1405	1.15	1441	1.20	1477	1.26	1513	1.31	1548	1.37	1583	1.42
2000	1364	1.15	1401	1.21	1437	1.27	1472	1.33	1507	1.38	1543	1.44	1578	1.49	1613	1.54
2100	1399	1.27	1435	1.33	1470	1.40	1505	1.46	1539	1.51	1574	1.56	1609	1.61	1645	1.66
2200	1435	1.40	1470	1.47	1504	1.53	1538	1.59	1573	1.65	1608	1.70	1642	1.74	1678	1.79
2300	1472	1.54	1506	1.61	1540	1.67	1574	1.73	1608	1.78	1642	1.83	1677	1.88	1712	1.93
2400	1510	1.7	1544	1.76	1577	1.82	1610	1.88	1644	1.93	1678	1.97	1713	2.02	1748	2.07

HORIZONTAL

Air Volume cfm	External Static - in. w.g.															
	0.10		0.20		0.30		0.40		0.50		0.60		0.70		0.80	
	RPM	BHP	RPM	BHP	RPM	BHP	RPM	BHP	RPM	BHP	RPM	BHP	RPM	BHP	RPM	BHP
	Field Furnished				Kit ZA03											
1600	761	0.43	820	0.47	879	0.52	937	0.56	994	0.61	1045	0.65	1090	0.69	1132	0.72
1700	803	0.49	861	0.53	918	0.58	973	0.63	1025	0.67	1072	0.72	1114	0.75	1155	0.78
1800	846	0.56	901	0.60	955	0.65	1008	0.70	1056	0.75	1099	0.79	1140	0.82	1181	0.85
1900	889	0.63	941	0.68	993	0.73	1042	0.78	1087	0.83	1129	0.87	1168	0.90	1209	0.93
2000	933	0.71	981	0.76	1030	0.81	1076	0.86	1119	0.91	1159	0.95	1198	0.98	1238	1.01
2100	974	0.79	1020	0.85	1065	0.90	1109	0.96	1151	1.00	1190	1.04	1229	1.07	1268	1.11
2200	1013	0.89	1057	0.94	1100	0.99	1143	1.05	1183	1.09	1222	1.13	1261	1.17	1299	1.21
2300	1050	0.99	1093	1.04	1135	1.09	1177	1.14	1217	1.18	1255	1.23	1293	1.27	1331	1.32
2400	1088	1.09	1129	1.14	1170	1.19	1211	1.23	1250	1.28	1289	1.33	1326	1.38	1363	1.44

Air Volume cfm	External Static - in. w.g.															
	0.90		1.00		1.10		1.20		1.30		1.40		1.50		1.60	
	RPM	BHP	RPM	BHP	RPM	BHP	RPM	BHP	RPM	BHP	RPM	BHP	RPM	BHP	RPM	BHP
	Kit ZA03								Kit ZA06							
1600	1175	0.76	1218	0.79	1260	0.82	1302	0.85	1343	0.89	1383	0.93	1421	0.98	1458	1.03
1700	1198	0.82	1241	0.85	1283	0.89	1324	0.93	1364	0.97	1402	1.02	1439	1.07	1476	1.12
1800	1223	0.89	1265	0.92	1307	0.96	1347	1.01	1386	1.06	1423	1.11	1459	1.16	1495	1.21
1900	1250	0.96	1292	1.01	1332	1.05	1371	1.10	1408	1.15	1445	1.21	1481	1.27	1516	1.32
2000	1279	1.05	1319	1.10	1358	1.15	1396	1.20	1432	1.26	1468	1.32	1504	1.38	1539	1.44
2100	1308	1.15	1347	1.20	1385	1.26	1421	1.32	1457	1.38	1493	1.44	1528	1.50	1563	1.56
2200	1338	1.26	1376	1.31	1412	1.38	1448	1.45	1483	1.51	1518	1.57	1553	1.63	1588	1.68
2300	1368	1.37	1405	1.44	1441	1.51	1476	1.58	1510	1.64	1545	1.70	1580	1.76	1615	1.81
2400	1400	1.50	1435	1.57	1470	1.65	1505	1.72	1539	1.78	1573	1.84	1608	1.89	1643	1.94

BLOWER DATA - BELT DRIVE - ZGB074

BLOWER TABLE INCLUDES RESISTANCE FOR BASE UNIT ONLY WITH DRY INDOOR COIL AND AIR FILTERS IN PLACE.

FOR ALL UNITS ADD:

1 - Any factory installed options air resistance (heat section, economizer, wet coil, etc.).

2 - Any field installed accessories air resistance (duct resistance, diffuser, etc.).

See page 26 for blower motors and drives and wet coil and options/accessory air resistance data.

DOWNFLOW

Air Volume cfm	External Static - in. w.g.															
	0.10		0.20		0.30		0.40		0.50		0.60		0.70		0.80	
	RPM	BHP	RPM	BHP	RPM	BHP	RPM	BHP	RPM	BHP	RPM	BHP	RPM	BHP	RPM	BHP
	Field Furnished				Kit ZAA02											
1900	578	0.44	610	0.49	643	0.54	678	0.60	714	0.65	749	0.70	785	0.76	819	0.82
2000	600	0.50	632	0.56	665	0.61	699	0.66	734	0.71	769	0.77	803	0.83	837	0.90
2100	623	0.57	655	0.62	688	0.68	721	0.73	755	0.79	789	0.84	822	0.91	854	0.98
2200	647	0.65	678	0.70	711	0.75	743	0.81	776	0.86	809	0.93	841	1.00	872	1.06
2300	671	0.73	702	0.78	734	0.83	766	0.89	798	0.95	829	1.02	860	1.09	890	1.16
2400	696	0.81	726	0.87	757	0.92	788	0.98	819	1.04	850	1.11	880	1.19	909	1.26
2500	720	0.90	750	0.95	780	1.01	811	1.07	841	1.14	871	1.22	900	1.30	929	1.37
2600	745	0.99	774	1.05	804	1.11	834	1.17	864	1.25	893	1.33	921	1.41	949	1.49
2700	770	1.09	799	1.15	828	1.21	858	1.28	887	1.36	916	1.44	943	1.53	969	1.61
2800	795	1.19	824	1.25	853	1.33	882	1.40	911	1.48	939	1.56	965	1.65	990	1.73
2900	820	1.30	849	1.37	878	1.45	907	1.53	935	1.61	962	1.70	988	1.78	1012	1.86
	Kit ZAA03								Kit ZAA04							
Air Volume cfm	External Static - in. w.g.															
	0.90		1.00		1.10		1.20		1.30		1.40		1.50		1.60	
	RPM	BHP	RPM	BHP	RPM	BHP	RPM	BHP	RPM	BHP	RPM	BHP	RPM	BHP	RPM	BHP
	Kit ZAA03															
1900	853	0.88	885	0.94	915	0.99	944	1.05	971	1.11	996	1.17	1021	1.23	1045	1.29
2000	869	0.96	899	1.01	929	1.07	957	1.13	984	1.19	1009	1.25	1033	1.31	1058	1.38
2100	885	1.04	915	1.10	944	1.15	971	1.22	997	1.28	1022	1.34	1046	1.40	1070	1.46
2200	902	1.13	931	1.19	959	1.24	986	1.31	1012	1.37	1036	1.43	1060	1.50	1084	1.56
2300	920	1.23	948	1.29	975	1.35	1001	1.41	1027	1.47	1051	1.53	1075	1.60	1098	1.66
2400	938	1.33	965	1.39	992	1.45	1017	1.52	1042	1.58	1066	1.64	1090	1.70	1113	1.77
2500	956	1.44	983	1.51	1009	1.57	1034	1.63	1059	1.69	1082	1.75	1105	1.82	1128	1.88
2600	975	1.56	1001	1.63	1026	1.69	1051	1.75	1075	1.81	1098	1.87	1121	1.93	1143	2.00
2700	995	1.68	1020	1.75	1044	1.81	1069	1.87	1092	1.93	1114	1.99	1136	2.06	1158	2.13
2800	1015	1.81	1039	1.87	1063	1.94	1086	2.00	1109	2.06	1131	2.12	1152	2.19	1174	2.26
2900	1035	1.94	1058	2.00	1081	2.07	1104	2.13	1126	2.19	1147	2.26	1168	2.33	1189	2.40

HORIZONTAL

Air Volume cfm	External Static - in. w.g.															
	0.10		0.20		0.30		0.40		0.50		0.60		0.70		0.80	
	RPM	BHP	RPM	BHP	RPM	BHP	RPM	BHP	RPM	BHP	RPM	BHP	RPM	BHP	RPM	BHP
	Field Furnished				Kit ZAA02											
1900	581	0.44	618	0.49	655	0.54	692	0.59	729	0.64	765	0.69	800	0.75	833	0.80
2000	602	0.50	639	0.55	676	0.61	713	0.66	749	0.71	784	0.76	818	0.82	850	0.88
2100	625	0.57	661	0.62	698	0.67	735	0.73	770	0.78	804	0.84	837	0.90	868	0.96
2200	648	0.64	685	0.69	721	0.75	757	0.80	791	0.86	824	0.92	856	0.98	886	1.05
2300	673	0.71	709	0.77	745	0.83	780	0.88	813	0.94	845	1.01	876	1.08	905	1.15
2400	699	0.79	734	0.85	769	0.91	803	0.97	835	1.04	866	1.11	896	1.18	924	1.25
2500	725	0.88	759	0.94	793	1.00	826	1.07	857	1.14	887	1.21	916	1.28	944	1.36
2600	752	0.97	785	1.04	818	1.10	850	1.17	880	1.25	909	1.32	937	1.40	964	1.48
2700	779	1.07	811	1.14	843	1.21	873	1.29	902	1.37	931	1.44	958	1.52	984	1.60
2800	805	1.18	837	1.26	868	1.33	897	1.41	925	1.49	952	1.57	979	1.66	1004	1.74
2900	832	1.30	863	1.38	892	1.46	921	1.54	948	1.63	974	1.71	1000	1.80	1024	1.88
	Kit ZAA03								Kit ZAA04							
Air Volume cfm	External Static - in. w.g.															
	0.90		1.00		1.10		1.20		1.30		1.40		1.50		1.60	
	RPM	BHP	RPM	BHP	RPM	BHP	RPM	BHP	RPM	BHP	RPM	BHP	RPM	BHP	RPM	BHP
	ZAA02															
	Kit ZAA03															
1900	864	0.87	895	0.93	924	0.99	953	1.06	980	1.12	1007	1.18	1032	1.25	1056	1.31
2000	881	0.95	911	1.01	940	1.08	967	1.14	994	1.21	1020	1.27	1044	1.34	1068	1.40
2100	898	1.03	927	1.10	955	1.17	982	1.23	1008	1.30	1033	1.37	1057	1.43	1080	1.50
2200	916	1.12	944	1.19	971	1.26	998	1.33	1023	1.40	1047	1.47	1071	1.54	1093	1.60
2300	934	1.22	961	1.29	988	1.36	1014	1.43	1038	1.50	1062	1.58	1085	1.65	1107	1.71
2400	952	1.32	979	1.40	1005	1.47	1030	1.54	1054	1.62	1077	1.69	1099	1.76	1121	1.83
2500	971	1.43	997	1.51	1022	1.59	1046	1.66	1069	1.74	1092	1.81	1114	1.88	1135	1.95
2600	990	1.55	1015	1.63	1039	1.71	1063	1.79	1086	1.86	1108	1.94	1129	2.01	1150	2.07
2700	1009	1.68	1034	1.76	1057	1.84	1080	1.92	1102	1.99	1124	2.07	1145	2.14	1166	2.21
2800	1028	1.82	1052	1.9	1075	1.98	1097	2.06	1119	2.13	1140	2.21	1161	2.28	1182	2.34
2900	1048	1.96	1071	2.04	1093	2.12	1115	2.20	1136	2.28	1157	2.35	1177	2.42	1198	2.48

BLOWER DATA

BELT DRIVE KIT SPECIFICATIONS - ZGA/ZGB036-060

Model No.	Motor HP		No. of Speeds	Drive Kits and RPM Range					
	Nominal	Maximum		ZA01	ZA02	ZA03	ZA04	³ ZA05	³ ZA06
036	¹ 0.75	0.86	1	678 - 1035	---	---	964 - 1471		---
	² 1	1.15	1	678 - 1035	---	---	964 - 1471		---
	¹ 1.5	1.7	1	678 - 1035	---	---	964 - 1471		---
048	¹ 0.75	0.86	1	---	803 - 1226	---	---	1098 - 1490	
	² 1	1.15	1	---	803 - 1226	---	---	1098 - 1490	
	¹ 1.5	1.7	1	---	803 - 1226	---	---	1098 - 1490	---
060	¹ 0.75	0.86	1	---	---	906 - 1383	---	---	1262 - 1634
	² 1	1.15	1	---	---	906 - 1383	---	---	1262 - 1634
	¹ 1.5	1.7	1	---	---	906 - 1383	---	---	1262 - 1634

BELT DRIVE KIT SPECIFICATIONS - ZGA072/ZGB074

Model No.	Motor HP		No. of Speeds	Drive Kits and RPM Range		
	Nominal	Maximum		ZAA02	ZAA03	⁴ ZAA04
072	1	1.15	1	632 - 875	---	---
	1.5	1.7	1	---	798 - 1105	---
	2	2.3	1	---	---	921 - 1228
074	2	2.3	2	632 - 875	798 - 1105	921 - 1228

NOTE - Using total air volume and system static pressure requirements determine from blower performance tables rpm and motor hp required. Maximum usable hp of motors furnished are shown. In Canada, nominal motor hp is also maximum usable motor hp. If motors of comparable hp are used, be sure to keep within the service factor limitations outlined on the motor nameplate.

¹ 0.75 and 1.5 hp motors are only available for 208/230V-1ph applications.

² 1 hp blower motor is not available for 208/230V-1ph applications.

³ 1.5 hp blower motor is required with the ZA05 and ZA06 drive kits.

⁴ 2 hp blower motor is required with the ZAA04 drive kit.

POWER EXHAUST FAN PERFORMANCE

Return Air System Static Pressure - in. w.g.	Air Volume Exhausted cfm
0.00	1865
0.05	1785
0.10	1710
0.15	1630
0.20	1545
0.25	1450
0.30	1350
0.35	1240

BLOWER DATA

OPTIONS / ACCESSORIES AIR RESISTANCE - in. w.g.

Air Volume cfm	Wet Indoor Coil				Gss Heat Exchanger		Economizer	
	ZGA036, ZGA048	ZGB036,- ZGB048	ZGA060	ZGB060, ZGA072, ZGB074	Medium	High	Downflow	Horizontal
900	0.01	0.01	---	---	0.05	0.06	0.03	0.04
1000	0.01	0.02	---	---	0.06	0.06	0.03	0.05
1100	0.02	0.02	---	---	0.06	0.07	0.04	0.05
1200	0.02	0.02	---	---	0.06	0.07	0.05	0.06
1300	0.02	0.03	---	---	0.07	0.07	0.05	0.07
1400	0.03	0.03	---	---	0.07	0.08	0.06	0.08
1500	0.03	0.04	---	---	0.07	0.08	0.07	0.08
1600	0.03	0.04	0.04	0.03	0.07	0.08	0.08	0.09
1700	0.04	0.05	0.05	0.03	0.07	0.08	0.09	0.10
1800	0.04	0.05	0.05	0.03	0.06	0.08	0.10	0.11
1900	0.04	0.06	0.06	0.04	0.06	0.08	0.11	0.12
2000	0.05	0.06	0.06	0.04	0.07	0.09	0.12	0.13
2100	---	---	0.07	0.05	0.08	0.10	0.13	0.14
2200	---	---	0.08	0.05	0.10	0.12	0.14	0.15
2300	---	---	0.08	0.05	0.11	0.14	0.15	0.16
2400	---	---	0.09	0.06	0.11	0.13	0.16	0.18
2500	---	---	---	0.06	0.11	0.15	0.18	0.19
2600	---	---	---	0.07	0.13	0.16	0.19	0.20
2700	---	---	---	0.07	0.15	0.18	0.20	0.21
2800	---	---	---	0.07	0.13	0.16	0.22	0.23
2900	---	---	---	0.08	0.13	0.18	0.23	0.24

BLOWER DATA

CEILING DIFFUSERS AIR RESISTANCE (in. w.g.)

Air Volume cfm	RTD9-65 Step-Down Diffuser			FD9-65 Flush Diffuser	RTD11-95 Step-Down Diffuser			FD11-95 Flush Diffuser
	2 Ends Open	1 Side & 2 Ends Open	All Ends & Sides Open		2 Ends Open	1 Side & 2 Ends Open	All Ends & Sides Open	
800	0.15	0.13	0.11	0.11	---	---	---	---
1000	0.19	0.16	0.14	0.14	---	---	---	---
1200	0.25	0.20	0.17	0.17	---	---	---	---
1400	0.33	0.26	0.20	0.20	---	---	---	---
1600	0.43	0.32	0.20	0.24	---	---	---	---
1800	0.56	0.40	0.30	0.30	0.13	0.11	0.09	0.09
2000	0.73	0.50	0.36	0.36	0.15	0.13	0.11	0.10
2200	0.95	0.63	0.44	0.44	0.18	0.15	0.12	0.12
2400	---	----	---	---	0.21	0.18	0.15	0.14
2600	---	----	---	---	0.24	0.21	0.18	0.17
2800	---	----	---	---	0.27	0.24	0.21	0.20
3000	---	----	---	---	0.32	0.29	0.25	0.25
3200	---	----	---	---	0.41	0.37	0.32	0.31
3400	---	----	---	---	0.50	0.45	0.39	0.37
3600	---	----	---	---	0.61	0.54	0.48	0.44

CEILING DIFFUSER AIR THROW DATA

Air Volume - cfm	¹ Effective Throw - ft.		Air Volume - cfm	¹ Effective Throw - ft.	
Model No.	RTD9-65	FD9-65	Model No.	RTD11-95	FD11-95
800	10 - 17	14 - 18	2600	24 - 29	19 - 24
1000	10 - 17	15 - 20	2800	25 - 30	20 - 28
1200	11 - 18	16 - 22	3000	27 - 33	21 - 29
1400	12 - 19	17 - 24	3200	28 - 35	22 - 29
1600	12 - 20	18 - 25	3400	30 - 37	22 - 30
1800	13 - 21	20 - 28	3600	25 - 33	22 - 24
2000	14 - 23	21 - 29			
2200	16 - 25	22 - 30			

¹ Effective throw based on terminal velocities of 75 ft. per minute.

ELECTRICAL DATA - ZGA

3 TON

ZGA036S4

¹ Voltage - 60hz		208/230V - 3 Ph		460V - 3 Ph		575V - 3 Ph	
Compressor	Rated Load Amps	8.7		4		3.6	
	Locked Rotor Amps	70		31		27	
Outdoor Fan Motor	Full Load Amps	1		0.6		0.45	
Power Exhaust (1) 0.5 HP	Full Load Amps	1.5		0.6		0.6	
Indoor Blower Motor	Horsepower	1	1.5	1	1.5	1	1.5
	Full Load Amps	4.6	6.6	2.1	3	1.7	2.4
² Maximum Overcurrent Protection	Unit Only	25	25	15	15	15	15
	With (1) 0.5 HP Power Exhaust	25	25	15	15	15	15
³ Minimum Circuit Ampacity	Unit Only	17	19	8	9	7	8
	With (1) 0.5 HP Power Exhaust	18	20	9	10	8	8

NOTE - All units have a minimum Short Circuit Current Rating (SCCR) of 5000 amps.

¹ Extremes of operating range are plus and minus 10% of line voltage.

² HACR type breaker or fuse.

³ Refer to National or Canadian Electrical Code manual to determine wire, fuse and disconnect size requirements.

ELECTRICAL DATA - ZGA**4 TON****ZGA048S4**

¹ Voltage - 60hz		208/230V - 3 Ph			460V - 3 Ph			575V - 3 Ph		
Compressor	Rated Load Amps	11			5.5			4.7		
	Locked Rotor Amps	86			37			34		
Outdoor Fan Motor	Full Load Amps	1.7			0.9			0.7		
Power Exhaust (1) 0.5 HP	Full Load Amps	1.5			0.6			0.6		
Indoor Blower Motor	Horsepower	1	1.5	1	1.5	1	1.5	1	1.5	
	Full Load Amps	4.6	6.6	2.1	3	1.7	2.4	1.7	2.4	
² Maximum Overcurrent Protection	Unit Only	30	30	15	15	15	15	15	15	
	With (1) 0.5 HP Power Exhaust	30	30	15	15	15	15	15	15	
³ Minimum Circuit Ampacity	Unit Only	21	23	10	11	9	9	9	9	
	With (1) 0.5 HP Power Exhaust	22	24	11	12	9	10	9	10	

ELECTRICAL DATA - ZGA**5 TON****ZGA060S4**

¹ Voltage - 60hz		208/230V - 3 Ph			460V - 3 Ph			575V - 3 Ph		
Compressor	Rated Load Amps	13.5			8			5		
	Locked Rotor Amps	109			59			40		
Outdoor Fan Motor	Full Load Amps	1.7			1			0.9		
Power Exhaust (1) 0.5 HP	Full Load Amps	1.5			0.6			0.6		
Indoor Blower Motor	Horsepower	1	1.5	1	1.5	1	1.5	1	1.5	
	Full Load Amps	4.6	6.6	2.1	3	1.7	2.4	1.7	2.4	
² Maximum Overcurrent Protection	Unit Only	35	35	20	20	15	15	15	15	
	With (1) 0.5 HP Power Exhaust	35	40	20	20	15	15	15	15	
³ Minimum Circuit Ampacity	Unit Only	24	26	14	14	9	10	9	10	
	With (1) 0.5 HP Power Exhaust	25	27	14	15	10	11	10	11	

ELECTRICAL DATA - ZGA**6 TON****ZGA072S4**

¹ Voltage - 60hz		208/230V - 3 Ph			460V - 3 Ph			575V - 3 Ph		
Compressor	Rated Load Amps	19.6			8.2			6.6		
	Locked Rotor Amps	136			66.1			55.3		
Outdoor Fan Motors	Full Load Amps	1.7			1			0.9		
Power Exhaust (1) 0.5 HP	Full Load Amps	1.5			0.6			0.6		
Indoor Blower Motor	Horsepower	1	1.5	2	1	1.5	2	1	1.5	2
	Full Load Amps	4.6	6.6	7.5	2.1	3	3.4	1.7	2.4	2.7
² Maximum Overcurrent Protection	Unit Only	50	50	50	20	20	20	15	15	15
	with (1) 0.5 HP Power Exhaust	50	50	50	20	20	20	15	15	15
³ Minimum Circuit Ampacity	Unit Only	31	33	34	14	15	15	11	12	12
	with (1) 0.5 HP Power Exhaust	33	35	36	14	15	16	12	13	13

NOTE - All units have a minimum Short Circuit Current Rating (SCCR) of 5000 amps.

¹ Extremes of operating range are plus and minus 10% of line voltage.² HACR type breaker or fuse.³ Refer to National or Canadian Electrical Code manual to determine wire, fuse and disconnect size requirements.

ELECTRICAL DATA - ZGB**3 TON****ZGB036S4**

¹ Voltage - 60hz		208/230V - 1 Ph			208/230V - 3 Ph			460V - 3 Ph			575V - 3 Ph		
Compressor	Rated Load Amps	15.3			8.7			4			3.6		
	Locked Rotor Amps	70			70			31			27		
Outdoor Fan Motor	Full Load Amps	1.7			1.7			0.9			0.7		
Power Exhaust (1) 0.5 HP	Full Load Amps	1.5			1.5			0.6			0.6		
Indoor Blower Motor	Horsepower	0.75	1.5	0.75	1	1.5	0.75	1	1.5	0.75	1	1.5	
	Full Load Amps	7.6	11	3.5	4.6	6.6	1.6	2.1	3	1.3	1.7	2.4	
² Maximum Overcurrent Protection	Unit Only	40	45	20	25	25	15	15	15	15	15	15	
	With (1) 0.5 HP Power Exhaust	45	45	25	25	25	15	15	15	15	15	15	
³ Minimum Circuit Ampacity	Unit Only	29	32	17	18	20	8	8	9	7	7	8	
	With (1) 0.5 HP Power Exhaust	30	34	18	19	21	9	9	10	8	8	9	

ELECTRICAL DATA - ZGB**4 TON****ZGB048S4**

¹ Voltage - 60hz		208/230V - 1 Ph			208/230V - 3 Ph			460V - 3 Ph			575V - 3 Ph		
Compressor	Rated Load Amps	20			11			5.5			4.7		
	Locked Rotor Amps	99			86			37			34		
Outdoor Fan Motor	Full Load Amps	1.7			1.7			0.9			0.7		
Power Exhaust (1) 0.5 HP	Full Load Amps	1.5			1.5			0.6			0.6		
Indoor Blower Motor	Horsepower	0.75	1.5	0.75	1	1.5	0.75	1	1.5	0.75	1	1.5	
	Full Load Amps	7.6	11	3.5	4.6	6.6	1.6	2.1	3	1.3	1.7	2.4	
² Maximum Overcurrent Protection	Unit Only	50	50	25	30	30	15	15	15	15	15	15	
	With (1) 0.5 HP Power Exhaust	50	50	30	30	30	15	15	15	15	15	15	
³ Minimum Circuit Ampacity	Unit Only	35	38	19	21	23	10	10	11	8	9	9	
	With (1) 0.5 HP Power Exhaust	36	40	21	22	24	10	11	12	9	9	10	

ELECTRICAL DATA - ZGB**5 TON****ZGB060S4**

¹ Voltage - 60hz		208/230V - 1 Ph			208/230V - 3 Ph			460V - 3 Ph			575V - 3 Ph		
Compressor	Rated Load Amps	22.1			13.5			8			5		
	Locked Rotor Amps	125			109			59			40		
Outdoor Fan Motor	Full Load Amps	1.7			1.7			0.9			0.7		
Power Exhaust (1) 0.5 HP	Full Load Amps	1.5			1.5			0.6			0.6		
Indoor Blower Motor	Horsepower	0.75	1.5	0.75	1	1.5	0.75	1	1.5	0.75	1	1.5	
	Full Load Amps	7.6	11	3.5	4.6	6.6	1.6	2.1	3	1.3	1.7	2.4	
² Maximum Overcurrent Protection	Unit Only	50	60	35	35	35	20	20	20	15	15	15	
	With (1) 0.5 HP Power Exhaust	60	60	35	35	40	20	20	20	15	15	15	
³ Minimum Circuit Ampacity	Unit Only	37	41	23	24	26	13	13	14	9	9	10	
	With (1) 0.5 HP Power Exhaust	39	42	24	25	27	14	14	15	9	10	10	

NOTE - All units have a minimum Short Circuit Current Rating (SCCR) of 5000 amps.

¹ Extremes of operating range are plus and minus 10% of line voltage.² HACR type breaker or fuse.³ Refer to National or Canadian Electrical Code manual to determine wire, fuse and disconnect size requirements.

ELECTRICAL DATA - ZGB**6 TON****ZGB074S4**

¹ Voltage - 60hz		208/230V - 3 Ph	460V - 3 Ph	575V - 3 Ph
Compressor	Rated Load Amps	17.6	8.5	6.3
	Locked Rotor Amps	136	66.1	55.3
Outdoor Fan Motor	Full Load Amps	1.7	1	0.9
Power Exhaust (1) 0.5 HP	Full Load Amps	1.5	0.6	0.6
Indoor Blower Motor	Horsepower	2	2	2
	Full Load Amps	7.5	3.4	2.7
² Maximum Overcurrent Protection	Unit Only	45	20	15
	With (1) 0.5 HP Power Exhaust	50	20	15
³ Minimum Circuit Ampacity	Unit Only	32	16	12
	With (1) 0.5 HP Power Exhaust	33	16	13

NOTE - All units have a minimum Short Circuit Current Rating (SCCR) of 5000 amps.

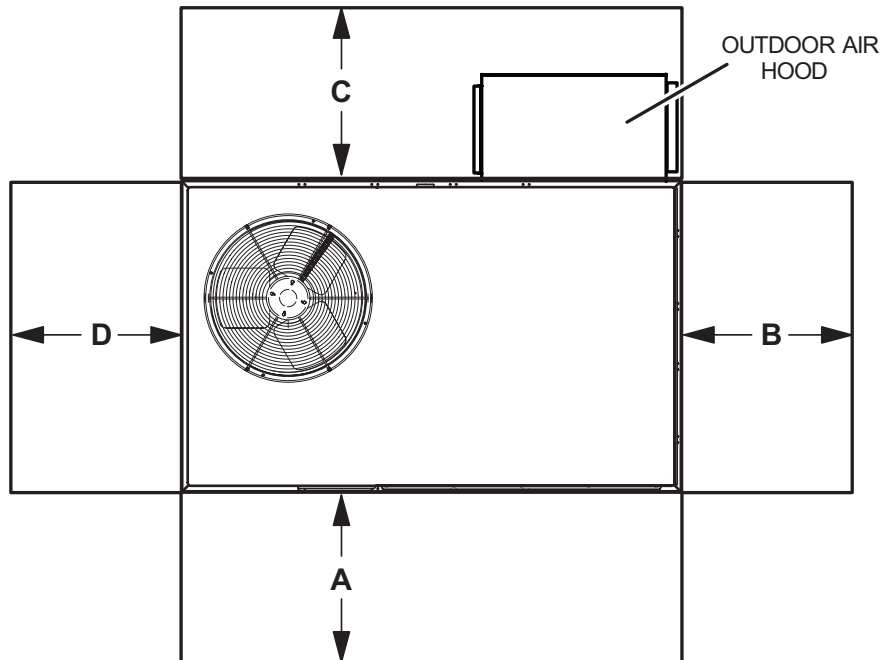
¹ Extremes of operating range are plus and minus 10% of line voltage.

² HACR type breaker or fuse.

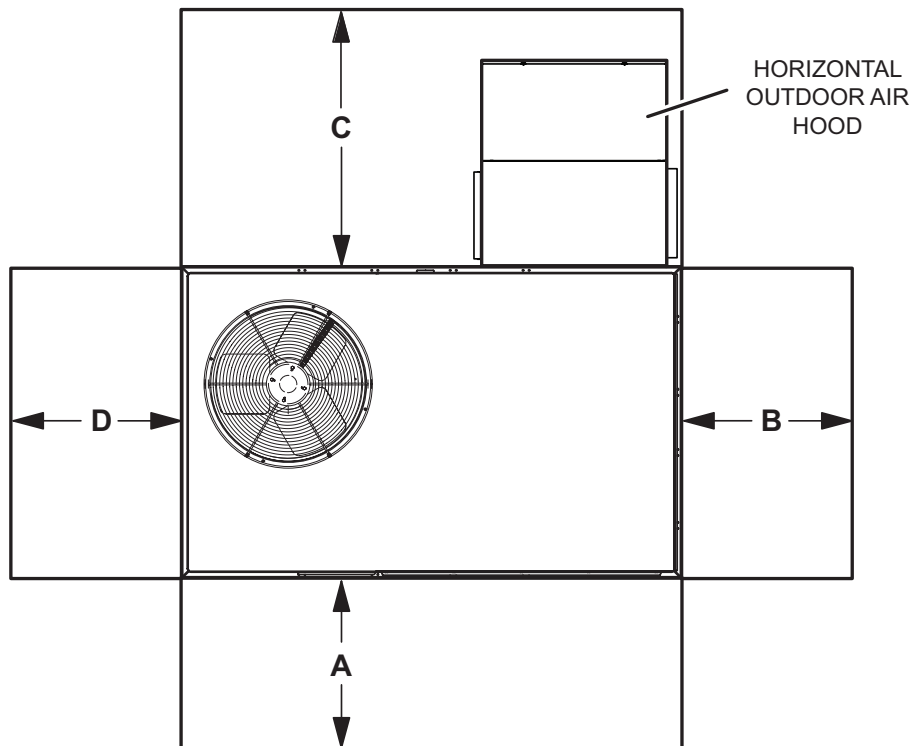
³ Refer to National or Canadian Electrical Code manual to determine wire, fuse and disconnect size requirements.

UNIT CLEARANCES - INCHES (MM)

UNIT WITH DOWNFLOW ECONOMIZER



UNIT WITH HORIZONTAL ECONOMIZER



1 Unit Clearance	A		B		C Downflow		C Horizontal		D		Top Clearance
	in.	mm	in.	mm	in.	mm	in.	mm	in.	mm	
Service Clearance	36	914	36	914	36	914	60	1524	36	914	Unobstructed
Clearance to Combustibles	36	914	1	25	1	25	1	25	1	25	
Minimum Operation Clearance	36	914	36	914	36	914	60	1524	36	914	

NOTE - Entire perimeter of unit base requires support when elevated above the mounting surface.

¹ Service Clearance - Required for removal of serviceable parts.

Minimum Operation Clearance - Required clearance for proper unit operation.

OUTDOOR SOUND DATA

Unit Model No.	Octave Band Linear Sound Power Levels dB, re 10 ⁻¹² Watts - Center Frequency - Hz							¹ Sound Rating Number (SRN) (dBA)
	125	250	500	1000	2000	4000	8000	
ZGA036	81	78	77	72	68	66	61	77
ZGA048	84	80	79	74	70	67	63	80
ZGA060	86	82	82	78	74	68	65	83
ZGB036	81	78	77	72	68	66	61	77
ZGB048	84	80	79	74	70	67	63	80
ZGB060	80	76	76	73	68	66	64	78
ZGA072	88	85	84	79	72	66	64	84

¹ Sound Rating Number according to ANSI/AHRI Standard 270-2008. "SRN" is the overall A-Weighted Sound Power Level, (LWA), dB (100 Hz to 10,000 Hz).

WEIGHT DATA

Model Number	Net				Shipping			
	Base		Max.		Base		Max.	
	lbs.	kg	lbs.	kg	lbs.	kg	lbs.	kg
ZGA036S	484	220	542	246	489	222	547	248
ZGB036S	524	238	594	269	529	240	599	272
ZGA048S	498	226	568	258	503	228	573	260
ZGB048S	533	242	603	274	538	244	608	276
ZGA060S	530	240	602	273	535	243	607	275
ZGB060S	592	269	664	301	597	271	669	303
ZGA072S	640	290	712	323	645	293	717	325
ZGB074S	640	290	712	323	645	293	717	325

Base Unit - The unit with standard heat exchanger NO OPTIONS.

Max. Unit - The unit with ALL OPTIONS Installed. (High Input Heat Exchanger, Economizer, etc.)

OPTIONS / ACCESSORIES

		Shipping Weights	
		lbs.	kg
ECONOMIZER			
Economizer			
Economizer, Includes Outdoor Air Hood and Barometric Relief Dampers with Hood	Downflow	75	34
	Horizontal	102	46
OUTDOOR AIR			
Outdoor Air Dampers			
Motorized		30	14
Manual		23	10
POWER EXHAUST			
Standard Static	Downflow	54	24
	Horizontal	41	19
GAS HEAT			
Medium Heat (adder over standard heat)		8	4
High Heat (adder over standard heat)		19	9
ROOF CURBS			
Hybrid Roof Curbs, Downflow			
8 in. height		63	29
14 in. height		83	38
18 in. height		93	42
24 in. height		113	51
CEILING DIFFUSERS			
Step-Down	RTD9-65-R	67	30
	RTD11-95	88	40
Flush	FD9-65-R	37	17
	FD11-95	75	34

DIMENSIONS - UNIT - INCHES (MM) - ZGA

Model No.	CORNER WEIGHTS														CENTER OF GRAVITY									
	AA		BB		CC		DD		EE		FF		EE		FF									
	Base	Max.	Base	Max.	Base	Max.	Base	Max.	Base	Max.	Base	Max.	Base	Max.	Base	Max.								
	lbs.	kg	lbs.	kg	lbs.	kg	lbs.	kg	lbs.	kg	lbs.	kg	in.	mm	in.	mm	in.	mm						
036	124	56	142	65	115	52	146	66	117	53	129	58	127	58	125	57	39.5	1003	37.5	953	23.25	591	25	635
048	128	58	149	68	118	54	153	69	121	55	135	61	131	59	131	60	39.5	1003	37.5	953	23.25	591	25	635
060	136	62	158	72	126	57	162	74	129	58	143	65	139	63	139	63	39.5	1003	37.5	953	23.25	591	25	635
072	153	69	170	77	153	69	170	77	167	76	186	84	167	76	186	84	38	965	36	914	22.5	572	24	610

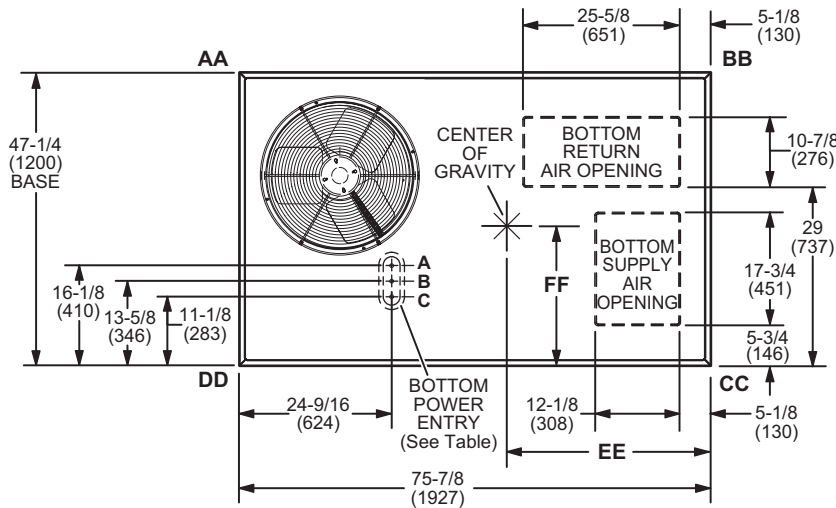
Base Unit - The unit with NO OPTIONS.

Max. Unit - The unit with ALL OPTIONS Installed. (Economizer, high heat, largest blower motor, etc.).

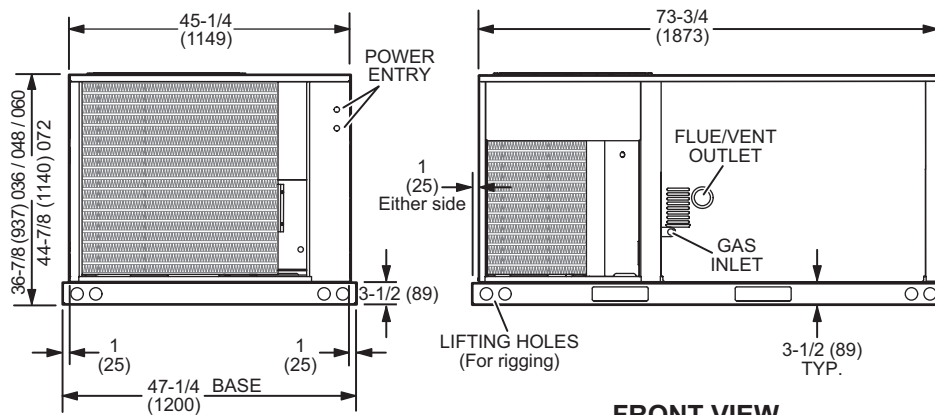
BOTTOM POWER ENTRY

Holes required for Optional Bottom Power Entry Kit

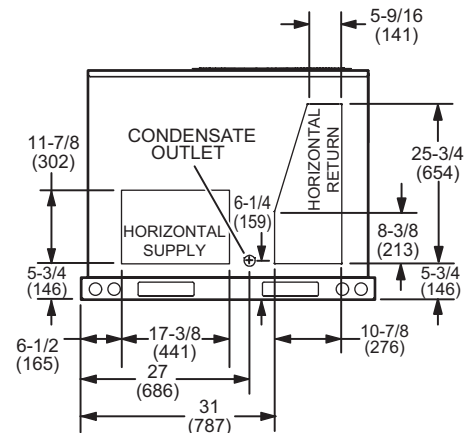
	Threaded Conduit Fittings (Provided in Kit)	Wire Use	Hole Diameter Required in Unit Base (Max.)
A	1/2	ACC	7/8 (23)
B	1/2	24V	7/8 (23)
C	3/4	POWER	1-1/8 (29)



TOP VIEW (Base)



FRONT VIEW



END VIEW

DIMENSIONS - UNIT - INCHES (MM) - ZGB

Model No.	CORNER WEIGHTS														CENTER OF GRAVITY									
	AA		BB				CC				DD				EE		FF							
	Base	Max.	Base	Max.	Base	Max.	Base	Max.	Base	Max.	Base	Max.	Base	Max.	Base	Max.	Base	Max.						
	lbs.	kg	lbs.	kg	lbs.	kg	lbs.	kg	lbs.	kg	lbs.	kg	in.	mm	in.	mm	in.	mm						
036	129	59	147	67	124	56	141	64	133	60	150	68	138	63	156	71	38.75	984	36.75	933	22.75	578	24.5	622
048	132	60	149	68	126	57	143	65	135	61	152	69	140	64	159	72	38.75	984	36.75	933	22.75	578	24.5	622
060	162	73	182	83	146	66	164	74	134	61	151	68	149	68	167	76	40	1016	38	965	24.5	622	26	660
074	153	69	170	77	153	69	170	77	167	76	186	84	167	76	186	84	38	965	36	914	22.5	572	24	610

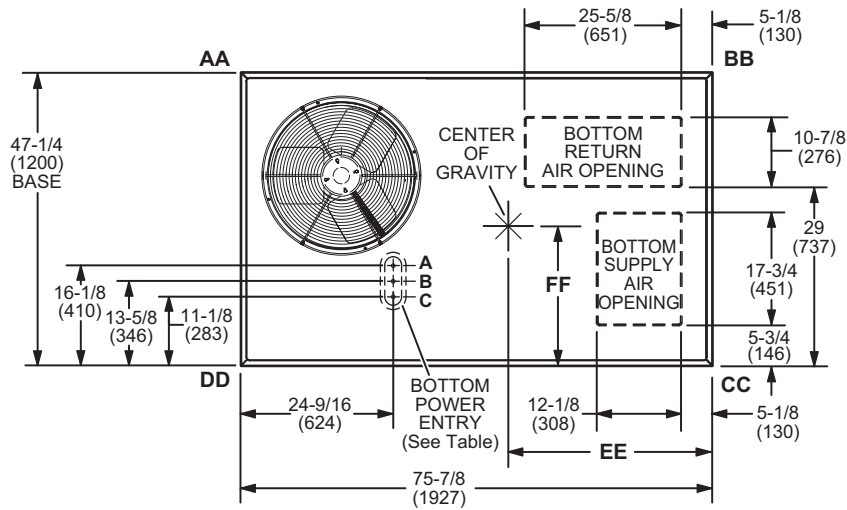
Base Unit - The unit with NO OPTIONS.

Max. Unit - The unit with ALL OPTIONS Installed. (Economizer, largest blower motor, etc.).

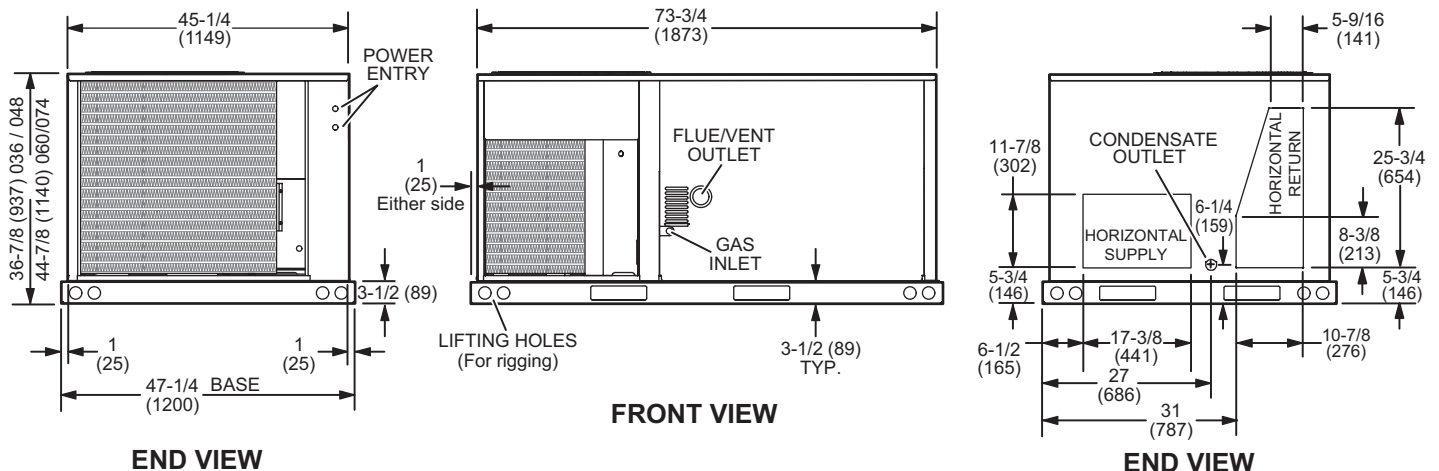
BOTTOM POWER ENTRY

Holes required for Optional Bottom Power Entry Kit

	Threaded Conduit Fittings (Provided in Kit)	Wire Use	Hole Diameter Required in Unit Base (Max.)
A	1/2	ACC	7/8 (23)
B	1/2	24V	7/8 (23)
C	3/4	POWER	1-1/8 (29)

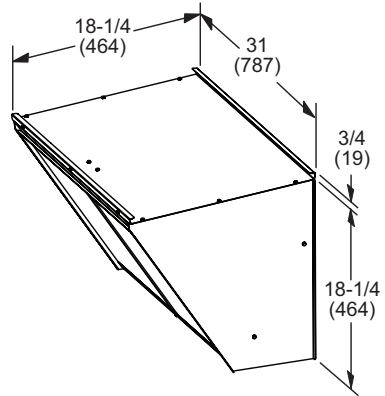
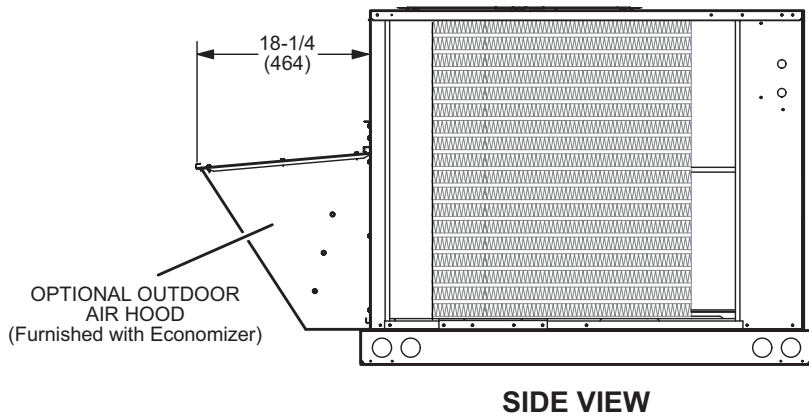


TOP VIEW (Base)

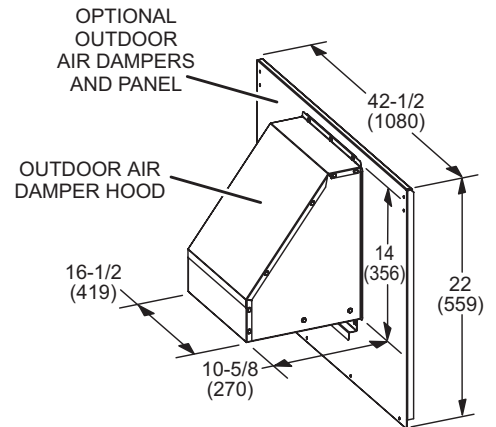
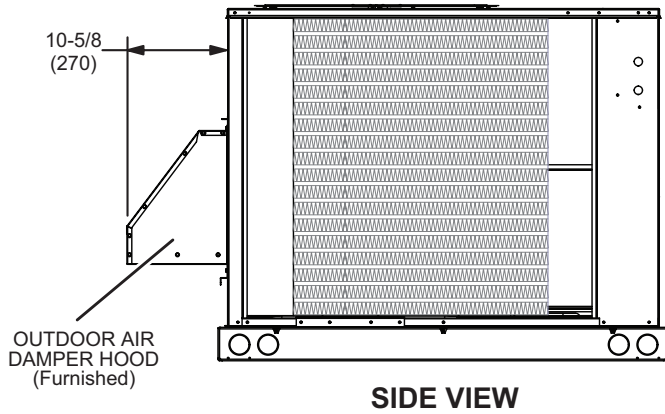


DIMENSIONS - ACCESSORIES - INCHES (MM)

**OUTDOOR AIR HOOD DETAIL FOR OPTIONAL ECONOMIZER
(Downflow Applications)**

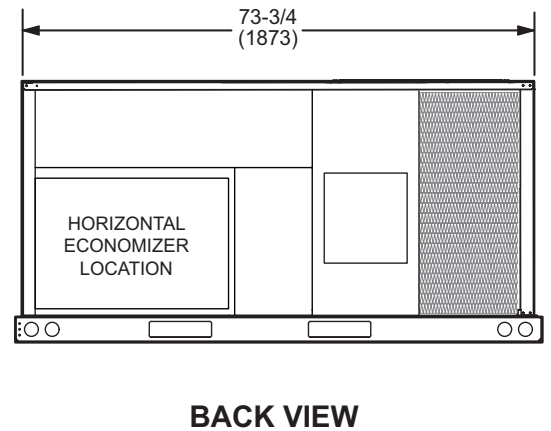
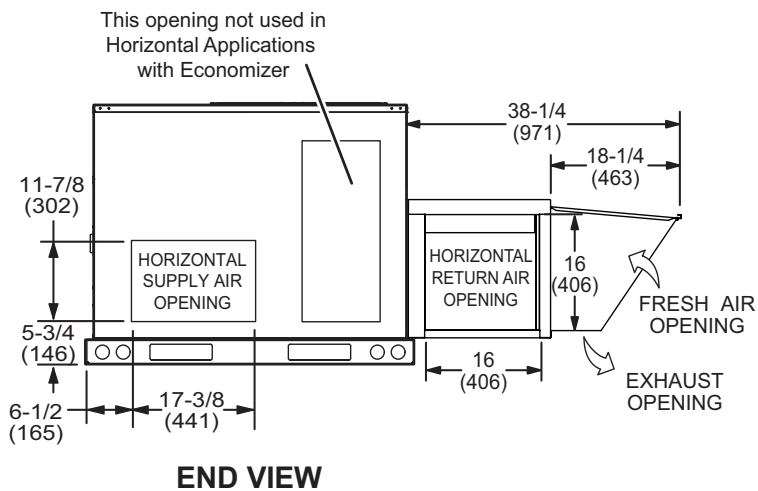
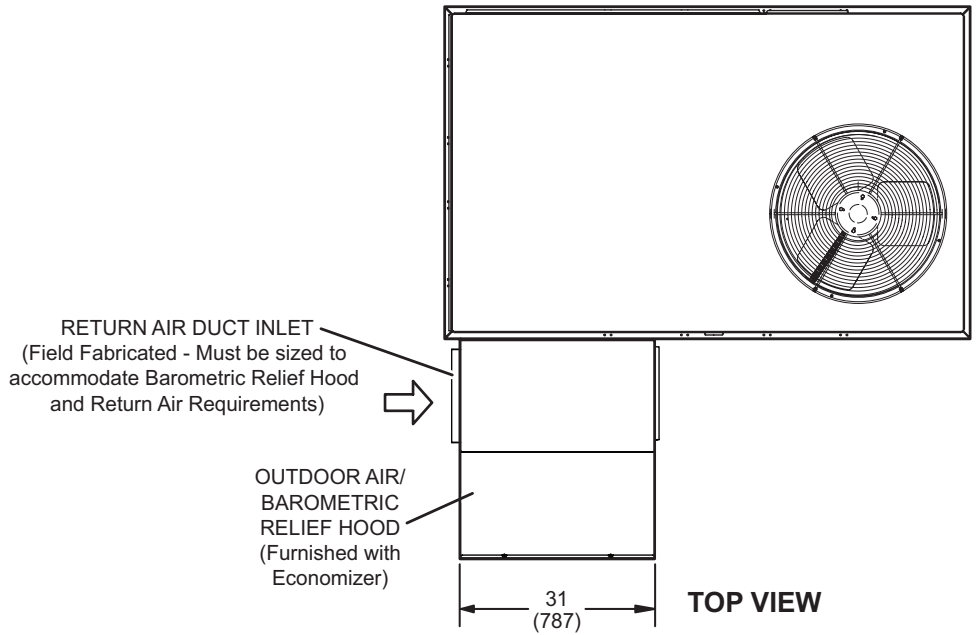


**OUTDOOR AIR DAMPER HOOD DETAIL FOR OPTIONAL MANUAL OR MOTORIZED OUTDOOR AIR DAMPERS
(Downflow or Horizontal Applications)**



DIMENSIONS - ACCESSORIES - INCHES (MM)

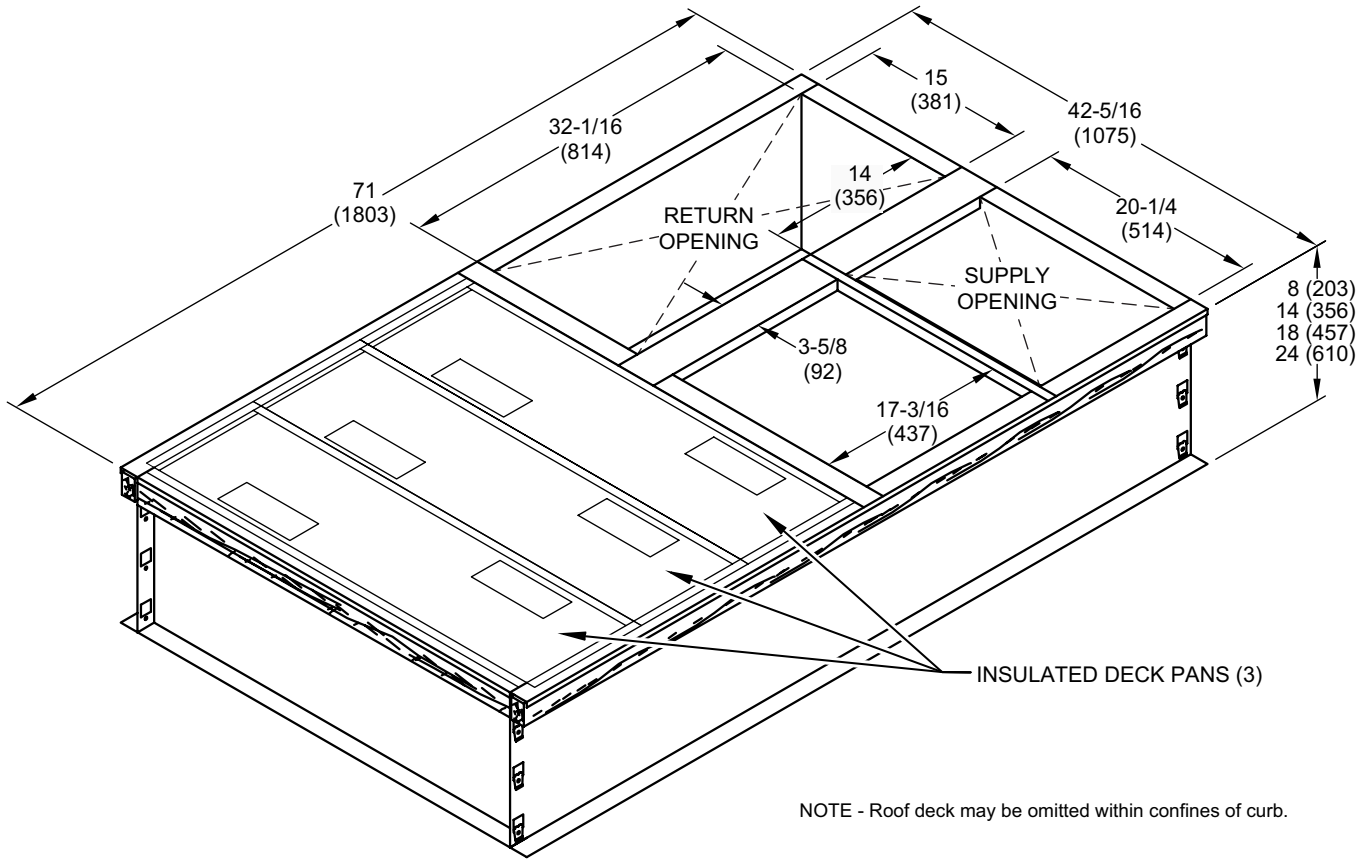
**OUTDOOR AIR HOOD DETAIL WITH OPTIONAL ECONOMIZER AND BAROMETRIC RELIEF DAMPERS
(Horizontal Applications)**



Note - Return Air Duct and Transition must be supported.

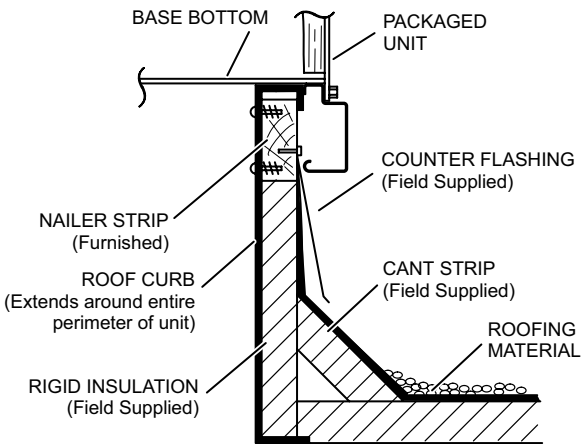
DIMENSIONS - ACCESSORIES - INCHES (MM)

HYBRID ROOF CURBS - DOUBLE DUCT OPENING

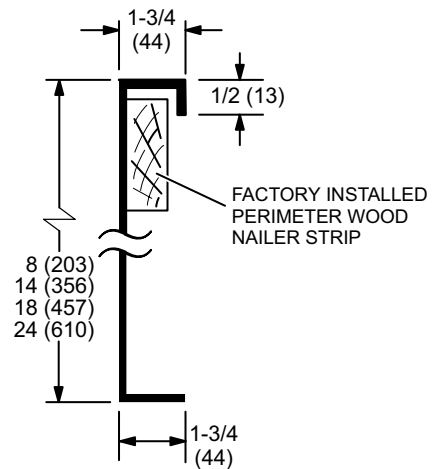


NOTE - Roof deck may be omitted within confines of curb.

TYPICAL FLASHING DETAIL FOR ROOF CURB



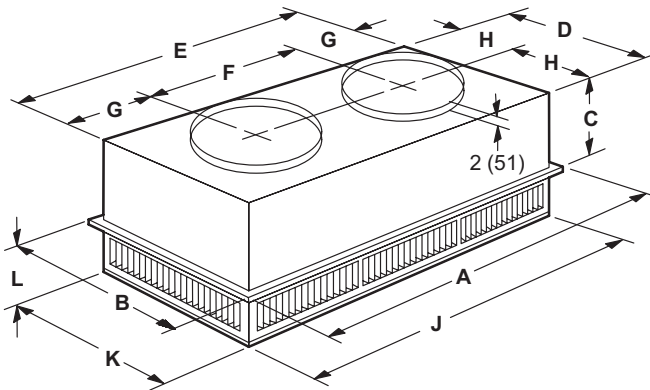
DETAIL ROOF CURB



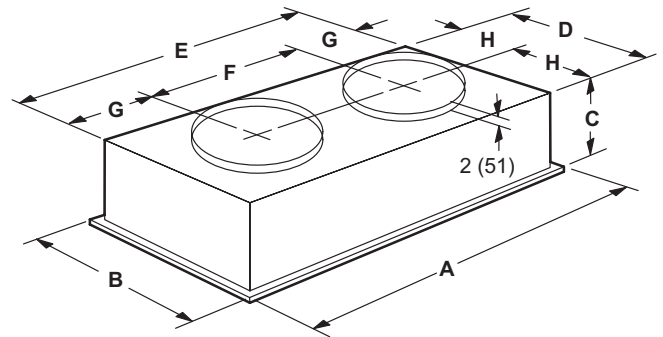
DIMENSIONS - ACCESSORIES - INCHES (MM)

COMBINATION CEILING SUPPLY AND RETURN DIFFUSERS

STEP-DOWN CEILING DIFFUSER



FLUSH CEILING DIFFUSER



Model Number		RTD9-65	RTD11-95
A	in.	47-5/8	47-5/8
	mm	1159	1159
B	in.	23-5/8	29-5/8
	mm	600	752
C	in.	11-3/8	14-3/8
	mm	289	365
D	in.	21-1/2	27-1/2
	mm	546	699
E	in.	45-1/2	45-1/2
	mm	1156	1158
F	in.	22-1/2	22-1/2
	mm	572	572
G	in.	11-1/2	11-1/2
	mm	292	292
H	in.	10-3/4	13-3/4
	mm	273	349
J	in.	45-1/2	45-1/2
	mm	1156	1156
K	in.	21-1/2	27-1/2
	mm	546	699
L	in.	7-1/8	8-1/8
	mm	181	206
Duct Size	in.	18 round	20 round
	mm	457 round	508 round

Model Number		FD9-65	FD11-95
A	in.	47-5/8	47-5/8
	mm	1159	1159
B	in.	23-5/8	29-5/8
	mm	600	752
C	in.	13-1/2	16-5/8
	mm	343	422
D	in.	21	27
	mm	533	686
E	in.	45	45
	mm	1143	1143
F	in.	22-1/2	22-1/2
	mm	572	572
G	in.	11-1/4	11-1/4
	mm	286	286
H	in.	10-1/2	13-1/2
	mm	267	343
Duct Size	in.	18 round	20 round
	mm	457 round	508 round

REVISIONS

Section	Description
New Product	Added Specifications, Rating and Dimensions for 074 Standard Efficiency model.
Optional Accessories	New catalog numbers for Standard and High Performance Economizers. Changed catalog numbers for LPG kits.



HRAI
✓ MEMBER COMPANY



ALLIED™
Commercial

Visit us at www.allied-commercial.com

For the latest technical information, visit us at www.allied-commercial.com

Contact us at 1-800-448-5872

NOTE - Due to Allied Commercial ongoing commitment to quality, Specifications, Ratings and Dimensions subject to change without notice and without incurring liability. Improper installation, adjustment, alteration, service or maintenance can cause property damage or personal injury. Installation and service must be performed by a qualified installer and servicing agency.