

Item No.:	_____	Qty.	_____
Model No.:	_____		
Project No.:	_____		



12" Standard Series Sinks

12" Deep Standard Series One Compartment Stainless Steel Sinks

- 1C18X18-L-18X**
- 1C18X24-L-18X**
- 1C18X24-L-24X**
- 1C24X24-L-24X**

Options

- Faucets
- Tub Accessories
- Undershelves
- Rotary Drain Options
- H-Frame Stainless Steel Legs
- Stainless Steel Feet Options (bullet & flange styles)

Specifications

12" Standard Series Sink, with one compartment, left drainboard, 10" backsplash, 16 gauge, 300 series stainless steel top and bowl, galvanized legs & adjustable feet, raised 1-1/2" rolled edge, includes 3-1/2" basket strainer, NSF approved

Features

- 16 Ga. stainless steel
- Welded construction for consistent metal gauge thickness throughout
- 12" (304.8 mm) deep tub with 3/4" (19.1 mm) coved radius tub corners
- Drainboard is die stamped for positive drainage
- 10" (254 mm) backsplash with tile ledge for easy installation
- Raised 1-1/2" (38.1 mm) diameter rolled edge
- 3-1/2" (88.9 mm) drain with basket strainer included
- 1-5/8" (41.3 mm) galvanized legs with 1" (25.4 mm) adjustable plastic feet

Materials

- Sink & Bowl: 16 Ga. 300 series stainless steel
- Top: Drainboard and backsplash are 16 gauge 300 series stainless steel.
- Legs: All sinks furnished with 1-5/8" (41.3 mm) diameter heavy gauge galvanized tubing with plated galvanized leg gussets and high impact corrosion resistant fully adjustable 1" (25.4 mm) feet.

Mechanical

- 1-1/8" (28.6mm) faucet holes on 8" (203.2mm) centers
- 3-1/2" (88.9mm) waste drain opening

Flyer Product



AUTOQUOTES



In keeping with our policy of continuing product improvement, Elkay SSP reserves the right to change product specifications without notice.

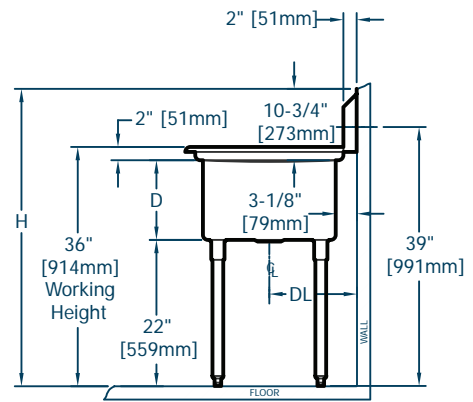
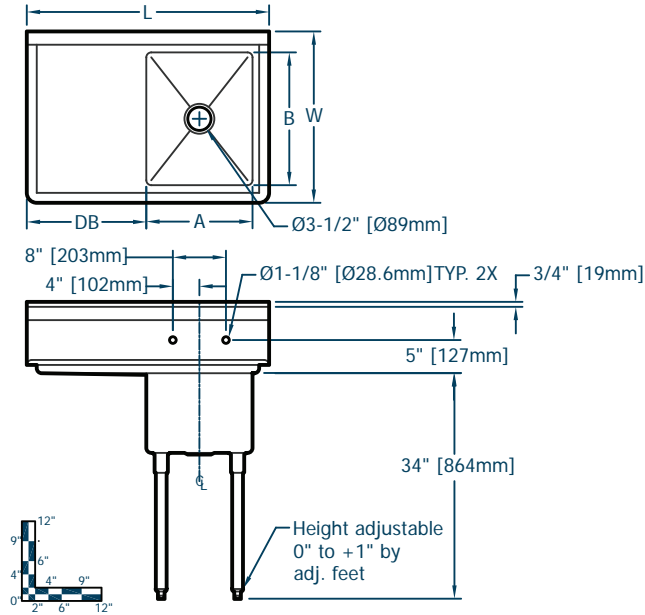
This specification describes an Elkay SSP product with design, quality and functional benefits to the user. When making a comparison of other producers' offerings, be certain these features are not overlooked.



Item No.: _____ Qty. _____
 Model No.: _____
 Project No.: _____

12" Standard Series Sinks

12" Deep Standard Series One Compartment Stainless Steel Sinks



12" Standard Series Sinks

Model Number	Bowl Dimensions			Overall Size			Drainboard		Drain Location		Weight	
	Width	Front-to-Back	Depth	Length	Width	Height	Location	Size	Location	lbs.	kg	
	A in. mm	B in. mm	D in. mm	L in. mm	W in. mm	H in. mm		DB in. mm	DL in. mm			
1C 18 X 18 L 18 X	18 457	18 457	12 305	38.5 978	23.8 605	44.8 1137	Left	18 457	12 305	107	48	
1C 18 X 24 L 18 X	18 457	24 610	12 305	38.5 978	29.8 757	44.8 1137	Left	18 457	15 381	116	53	
1C 18 X 24 L 24 X	18 457	24 610	12 305	44.5 1130	29.8 757	44.8 1137	Left	24 610	15 381	124	56	
1C 24 X 24 L 24 X	24 610	24 610	12 305	50.5 1283	29.8 757	44.8 1137	Left	24 610	15 381	140	63	

