

230 Verona

Vitreous China Pedestal Lavatory



Features

- 18-1/2" x 17-1/4" pedestal lavatory
- Integral rear overflow
- Available in 4" faucet center
- The Mansfield® limited lifetime warranty
- Available in White



Model 230-4
(Less faucet, drain
assembly and supply)

Components

| Model # | Description |
|---------|--|
| 230 | Oval lavatory with pedestal. Less faucet, drain assembly and supply. |
| 232-4 | Lavatory only with 4" faucet center. Less faucet, drain assembly and supply. |
| 233 | Pedestal only. |

Specifications

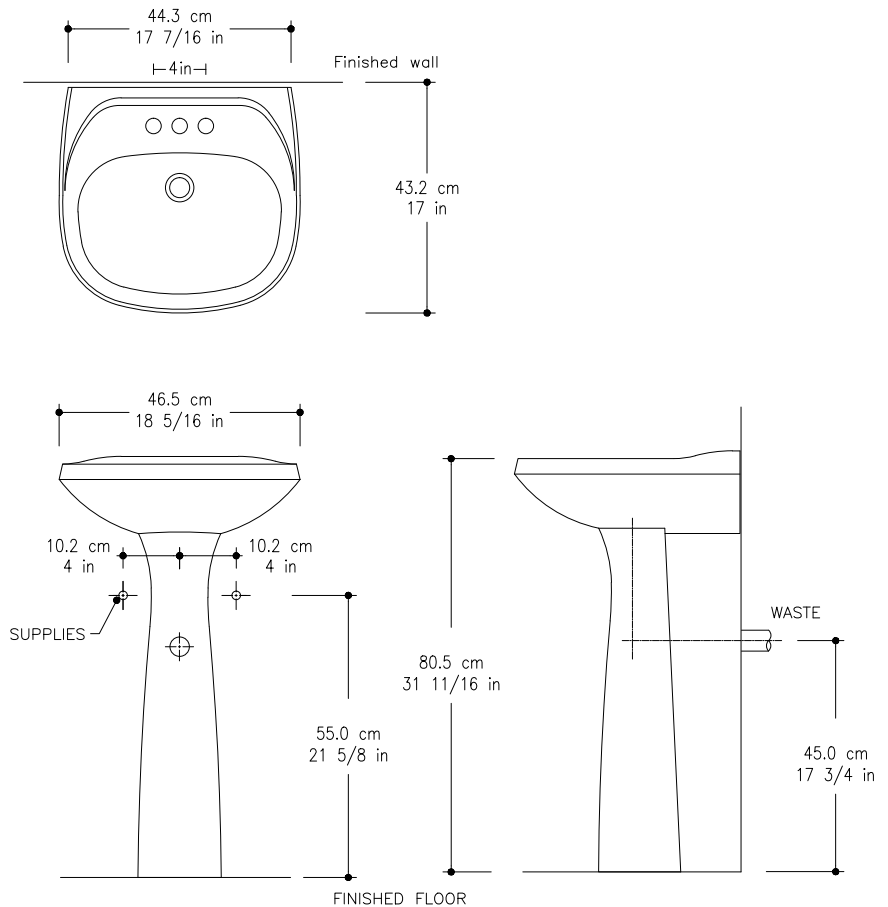
| Model # | Description |
|---------|--------------------------------------|
| 230 | 18-1/2" x 17-1/4" Pedestal Lavatory. |

| Specification | Description | Specification | Description |
|---------------|-----------------------------------|-----------------|-----------------------------|
| Material | Vitreous China | Shipping Weight | Model 232 - 24 lbs. (10 kg) |
| Warranty | Vitreous China - Limited Lifetime | | Model 233 - 14 lbs. (6 kg) |
| Faucet Holes | 4" | | |

Technical Information

All Mansfield® wall-mount lavatories are supplied with this exclusive one-piece steel hanger. Easily installed and adjusted, it contains holes for solid mounting against wall. Anchoring screw must be used for correct installation. Standard plumbing practice recommends use of both mounting bracket and anchoring screws.

NOTE: For secure installation, wall-mounting hanger should be fastened to solid, support wall stud.



See our complete line of acrylic and vitreous china bathroom fixtures, plastic tank trim and plumbing products.

These dimensions are nominal and subject to change without notice.

Fixture performance and specifications meet or exceed ASME A112.19.2-2008/CSA B45.1-08 standards, and other state and local codes.