

# Yorkshire Technical Specification

## Towel Ring

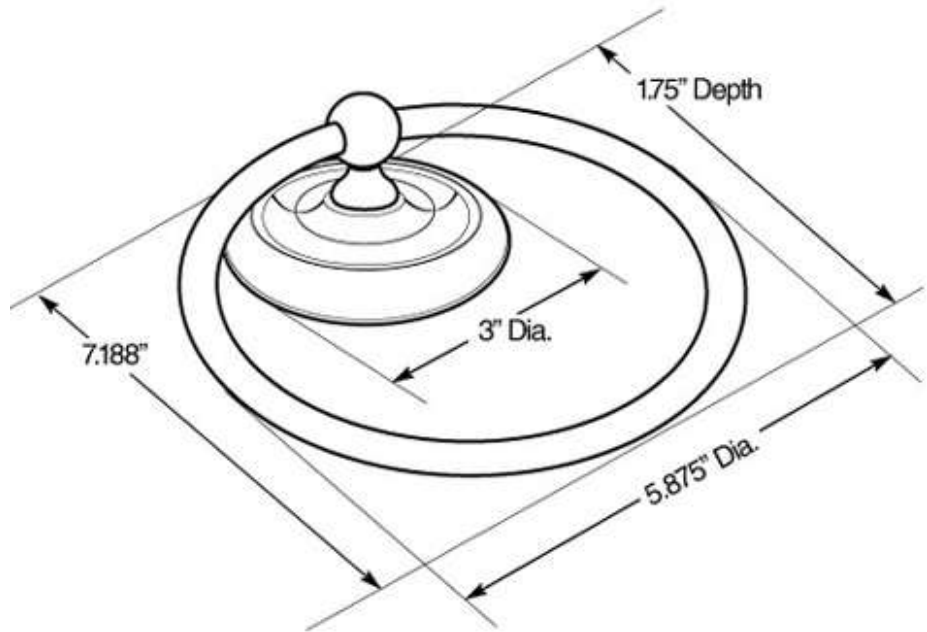
5386

### Stock Numbers:

- ❑ **5386CH (BP5386CH) – Towel Ring**  
Polished Chrome Finish  
Concealed Screw Mounting
- ❑ **BP5386OWB – Towel Ring**  
Old World Bronze finish  
Concealed Screw Mounting
- ❑ **BP5386SN – Towel Ring**  
Satin Nickel Finish  
Concealed Screw Mounting

“BP” skus in wholesale packaging

### Dimensions:



### Materials:

**Towel Ring** is die cast from highest quality zinc alloy (zamac) and finished in a high quality powder coating or metallic plated finish.

### Installation Instructions:

1. Position the mounting plate on the wall at desired location with “UP” facing you.
2. One at a time, place each anchor screw through the mounting plate, centered in each large hole. Using a Phillips screwdriver, turn the anchor screw while applying pressure. Screw will self drill and tap into dry wall. Do not over tighten.
3. Place assembly over the mounting plate, setscrew facing down.
4. Tighten setscrew.

### Cleaning Instructions:

To preserve the fine finish of this product, clean only with a soft damp cloth. Dry well. Do not use commercial or abrasive cleaners.

**Stock Number:** \_\_\_\_\_ **Towel Ring**  
By Creative Specialties International

