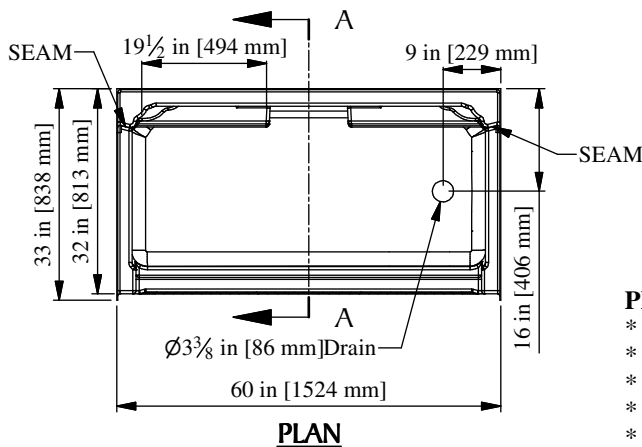
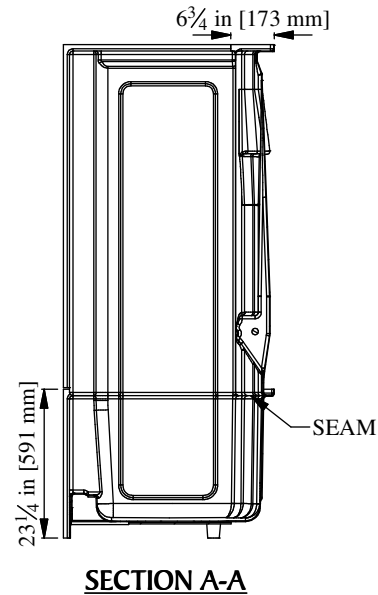
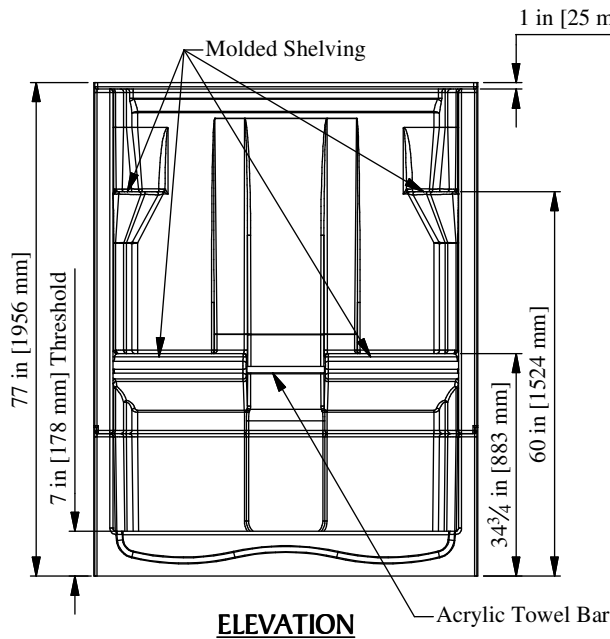


Quantum Series



**60" [1524mm] 4-Piece Shower
w/ 7" [178mm] Threshold & Left or Right Hand Drain**

Right Hand Version (4S10RT) Shown

PRODUCT SPECIFICATIONS:

- * Product complies with NAHB, HUD UM-73A, and ANSI-Z124.1.2.
- * Special installation instructions for this unit must be followed carefully.
- * Reinforced & slip resistant floor.
- * Molded shelving on back wall.
- * Integral 1" [25mm] nailing flange.
- * Factory installed 1" [25mm] acrylic towel bar.
- * Door Opening: W-53-3/4" [1365mm]
H-68" [1727mm]
- * All dimensions +/- 1/2" [12.8mm]
- * Clarion Bathware reserves the right to change design and/or dimensions.
- * Dimensions are the same for all other versions of this model.

4S10LT or 4S10RT

6" [1524mm] 4-Piece Shower w/ 7" [177mm] Threshold, Left or Right Hand Drain, & Molded Shelving

Clarion
BATHWARE
44 Amsler Ave.
Shippensburg, PA 16254

Phone: (814) 226-5374
Toll Free: (800) 576-9228
Fax: (814) 226-0730
www.clarionbathware.com

Signatures For Approval:

Customer: _____
Arch./Engr: _____

Quote #: _____
Job Name: _____

Date: _____

DWG. #
4S10LT or RT -CUT

By: NMH
Date: 4/26/2017