



4675 W. 160th St.
Cleveland, Ohio 44135
Ph: (800) 321-9532
Fax: (800) 321-9535
www.dearbornbrass.com

SUBMITTAL SPECIFICATION

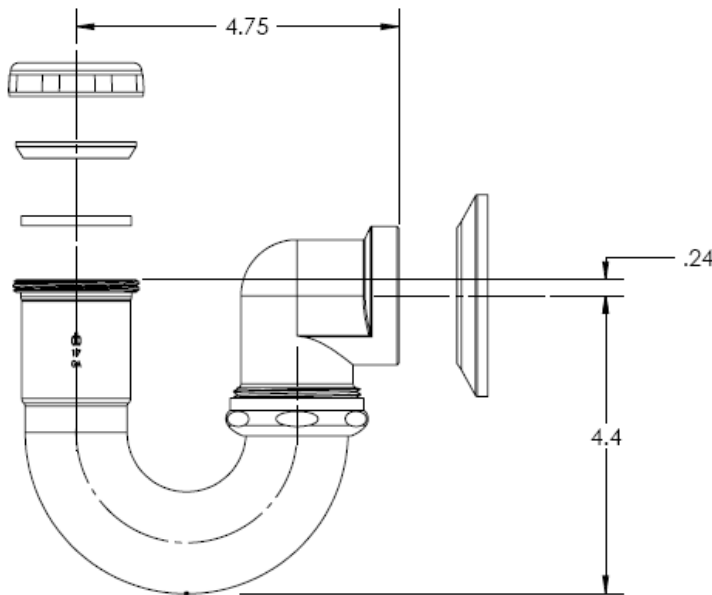
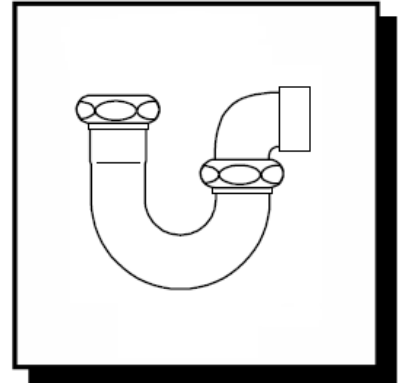
**BRASS TUBULAR
1-½" SINK TRAP WITH GROUND JOINT**

Engineering Specification: Dearborn Brass 1-½" Brass Tubular Sink Trap with Ground Joint is designed for use in tubular drain applications. Available in 17 or 20 Gauge Brass.

Job Reference

DESCRIPTION

- Chrome Finished
- 1-½" Sink Trap with Ground Joint
 - Sink J-Bend with Ground Joint Flange
 - Cast Brass Sink Trap Elbow
 - Metal Flange
 - (1) Brass Nut
 - (1) Zinc Nut
 - (1) Washer
 - (1) Reducing Washer



✓	Product No.	Description	Carton Quantity	Carton Weight (lbs)
	738-1	1-½" Sink Trap with Ground Joint NPT with Reducing Polyethylene Washer – 20 Gauge	10	12
	738CS-1	1-½" Sink Trap with Ground Joint NPT with Copper Sweat Elbow – 20 Gauge	10	12
	740-1	1-½" Sink Trap with Ground Joint NPT with Reducing Polyethylene Washer – 17 Gauge	10	13

Data is subject to manufacturing tolerances.