



WIDESPREAD

Z831B4-XL

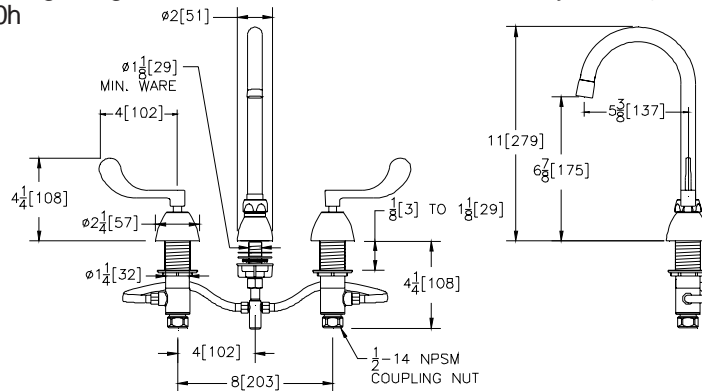
TAG



Engineering Specifications: Zurn AquaSpec® Z831B4-XL

Polished chrome-plated widespread with adjustable centers from 6" [152mm] to 20" [508mm], a 5-3/8" [137mm] centerline rigid or swing gooseneck spout and quarter turn ceramic disc cartridges. Unit is furnished with a 2.2 GPM [8.3 L] pressure compensating aerator (complying with ANSI A112.18.1 Standard for flow), 4" [102mm] vandal-resistant color-coded wrist blade handles, mounting hardware and 1/2" NPSM coupling nuts for standard lavatory risers. Widespread accommodates installations up to 1-1/8" [29mm] thick.

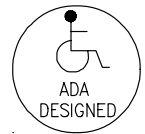
Zurn Lead Compliant* "XL" products are a line of durable, high quality brass faucets and fixtures that are designed and manufactured to comply with state laws and local codes that mandate lead content levels. Zurn "XL" products are manufactured with *not more than 0.25% lead content when used with respect to wetted surfaces of pipes and pipe fittings, plumbing fitting and fixtures: California Health & Safety Code § 116875; Vermont 9 VCA § 2470h



Note: All dimensions are for reference only. Do not use for pre-plumbing

OPTIONAL ACCESSORIES

Suffix	Description
___ -CWO	Cold Water Only
___ -FC	2.0 GPM [7.6 L] Laminar Flow Control in Base of Spout
___ -FC	Plain End Spout with Flow Control in Base of Spout (Specify GPM Flow 0.5, 1.0, 1.5)
___ -G	1-1/4" [32mm] Grid Strainer Drain
___ -GH	1-1/4" [32mm] Offset Handicap Grid Drain
___ -HCT	Hot/Cold Text Indexes
___ -HS	Hose and Spray
___ -ICT	Inter-connecting Copper Supply Tubes for 8" In-line Centers
___ -P	1-1/4" [32mm] Pop-up Drain
___ -PT	1-1/4"[32mm] Cast Brass P-Trap with a 7-1/2" [191mm] Long 17-Gauge Wall Bend
___ -TW	Third Waterway
___ -2F	2.2 GPM [8.3 L] Vandal-Resistant Pressure Compensating Female Aerator
___ -3F	0.5 GPM [1.9 L] Vandal-Resistant Pressure Compensating Female Spray Outlet
___ -4F	2.2 GPM [8.3 L] Vandal-Resistant Pressure Compensating Female Laminar Flow Outlet
___ -7F	1.0 GPM [3.8L] Pressure Compensating Female Spray Outlet
___ -16F	1.0 GPM [3.8L] Vandal-Resistant Pressure Compensating Female Spray Outlet
___ -17F	1.5 GPM [5.7L] Vandal-Resistant Pressure Compensating Female Aerator
___ -18F	1.5 GPM [5.7L] Vandal-Resistant Pressure Compensating Female Laminar Flow Outlet
___ -19F	1.5 GPM [5.7 L] Anti-Microbial Pressure Compensating Female Laminar Flow Outlet
___ -21F	1.0 GPM [3.8L] Pressure Compensating Female Laminar Flow Outlet
___ -22F	1.0 GPM [3.8L] Pressure Compensating Vandal-Resistant Female Laminar Flow Outlet
___ -23F	1.5 GPM [5.7L] Pressure Compensating Female Aerator
___ -24F	0.35 GPM [1.3 L] Pressure Compensating Female Spray Outlet
___ -25F	0.35 GPM [1.3 L] Vandal-Resistant Pressure Compensating Female Spray Outlet



ZURN INDUSTRIES, LLC ♦ COMMERCIAL BRASS OPERATION ♦ 2640 SOUTH WORK STREET ♦ FALCONER NY 14733

Phone: 1-800-997-3876 ♦ Fax: 1-919-775-3541 ♦ www.zurn.com

In Canada: ZURN INDUSTRIES LIMITED ♦ 3544 Nashua Drive ♦ Mississauga, Ontario L4V1L2 ♦ Phone: 905/405-8272 Fax: 905/405-1292