

Date: _____

For: File Resubmit
 Approval Other _____

PO No.: _____

Architect: _____

GC: _____

Engr: _____

Mech: _____

Rep: _____

(Company) _____

(Project Manager) _____



LVN361HV4
Multi F Vertical Air Handling Unit
 36,000 Btu/h Indoor Unit



Performance:

Nominal Cooling Capacity (Btu/h)	36,000
Nominal Heating Capacity (Btu/h)	40,000

Cooling Nominal Test Conditions: Indoor: 80°F DB/67°F WB Outdoor: 95°F DB/75°F WB
 Heating Nominal Test Conditions: Indoor: 70°F DB/60°F WB Outdoor: 47°F DB/43°F WB

Electrical:

Power Supply (V ¹ /Hz/Ø)	208-230 / 60 / 1
Rated Amps (A)	1.1

Piping:

Installed Liquid Pipe (in., O.D.)	ø3/8
Installed Vapor Pipe (in., O.D.)	ø5/8
Liquid Connection (in., O.D.)	ø3/8
Vapor Connection (in., O.D.)	ø5/8
Drain (In, ID)	3/4 FPT
Temperature Sensor	Thermistor

Standard Features:

- Filter Rack for Field Supplied Air Filter (16 x 20 x 1 inch)

Controls Features:

- W2 terminal connection
- Hot start
- Self diagnostics
- Soft dry (dehumidification)
- Weekly schedule
- Controller sold separately
- Inverter (variable speed fan)
- Group control
- Sleep mode
- Timer (on/off)
- Integrated dry contact for 3rd party thermostat
- ECM fan provides constant airflow regardless of permitted ESP

Optional Accessories:

- Simple Controller - PREMTCC00U
- MultiSITE™ CRC1 Remote Controller - PREMTBVC0
- MultiSITE™ CRC1+ Remote Controller - PREMTBVC1
- Premium Remote Controller - PREMTA000
- Wireless Handheld Remote Controller - PQWRHQ0FDB²
- AC Smart 5 - PACS5A000
- ACP 5 - PACP5A000
- LonWorks Gateway - PLNWKB100
- AC Smart IV BACnet - PBACNA000
- ACP IV BACnet Gateway - PQNFB17C2
- Dry Contact Unit (1 contact, 24 VAC external power) - PDRYCB100
- Dry Contact Unit (2 setpoint) - PDRYCB400
- Remote Button Temperature Sensor - ZRTBS01
- 3 kW Electric Heater - ANEH033B1¹¹
- Wi-Fi Module - PWFMD200
- Downflow Kit - PNDFJ0

For a complete list of available accessories, contact your LG representative.

For continual product development, LG reserves the right to change specifications without notice.

© LG Electronics U.S.A., Inc., Englewood Cliffs, NJ. All rights reserved. "LG Life's Good" is a registered trademark of LG Corp. /www.lghvac.com

Operating Range:

Cooling (°F WB)	57-77
Heating (°F DB)	59-81

Unit Data:

Refrigerant Type	R410A
Refrigerant Control	EEV
Sound Pressure ³ H/M/L	44 / 41 / 39
Net Unit Weight (lbs)	129
Shipping Weight (lbs)	140

Fan:

Type	Sirocco
Quantity	1
Motor/Drive	ECM (Electronically Commutated Motor)/Direct
Airflow Rate H/M/L (CFM)	990 / 880 / 800
Maximum External Static Pressure (in wg)	0.7

Notes:

1. Acceptable operating voltage is 187V-253V.
2. Wireless handheld remote controller requires an LG wired thermostat.
3. Sound Pressure levels are tested in an anechoic chamber under ISO Standard 1996.
4. See Engineering Manual for sensible and latent capacities.
5. All power/communication cable to be minimum 14 AWG, 4-conductor, stranded, shielded or unshielded, and must comply with applicable local and national code. If shielded, must be grounded to the chassis at ODU only.
6. Power wiring cable size must comply with the applicable local and national codes.
7. This unit comes with a dry helium charge.
8. Corresponding refrigerant piping length is in accordance with standard length of each outdoor unit and the level difference is 0 ft. All capacities are net with a combination ratio between 95 – 105%.
9. Must follow installation instructions in the applicable LG installation manual.
10. Includes socket adapters for refrigerant pipe connections.
11. Electric heater accessory available in 3kW, 5kW, 8kW, and 10kW capacities. Refer to the engineering manual for details.
12. Controller not included.



LVN361HV4
Multi F Vertical Air Handling Unit
36,000 Btu/h Indoor Unit

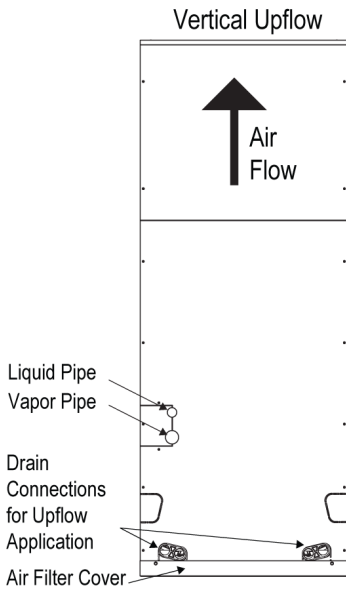


Tag #:

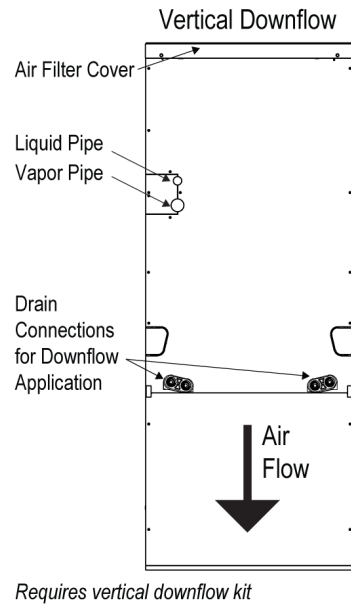
Date:

PO No.:

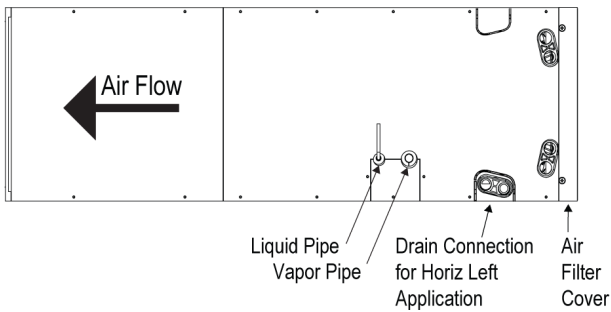
Factory Configurations



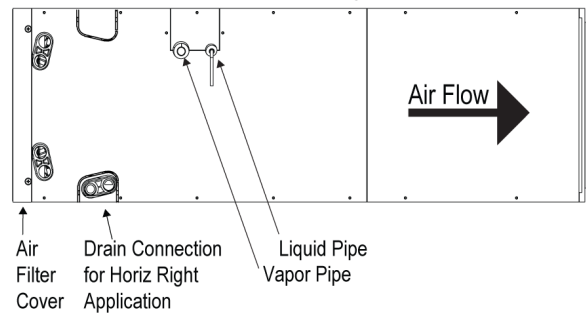
Field Configurations



Horizontal Left



Horizontal Right



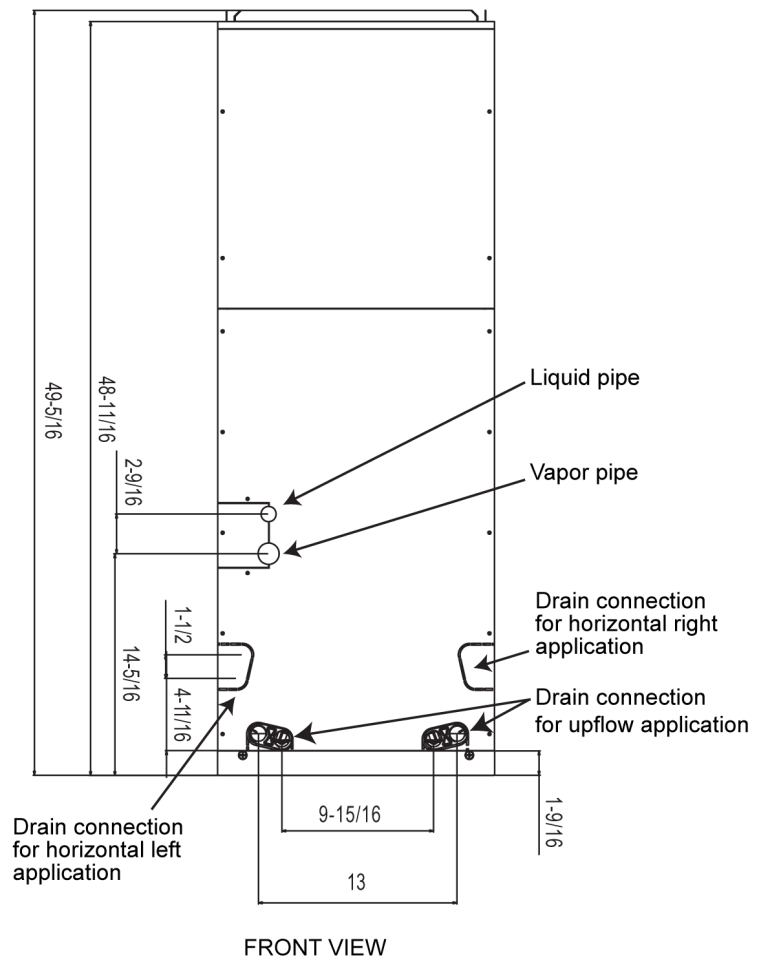
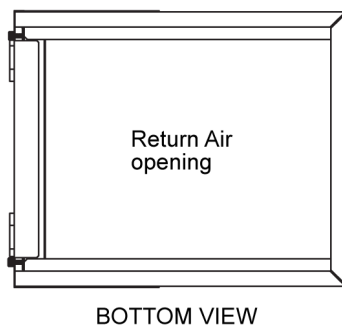
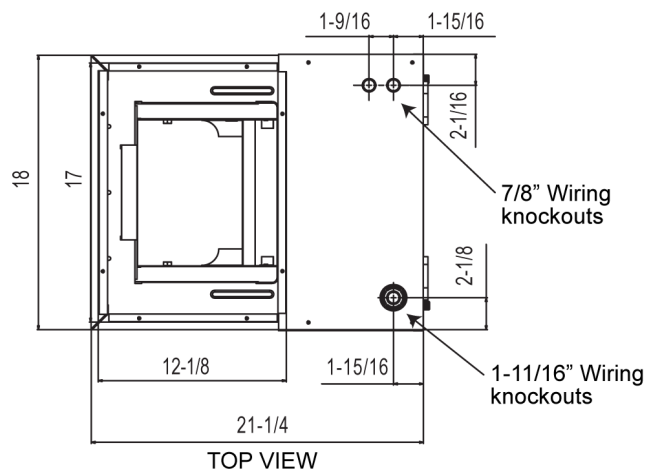
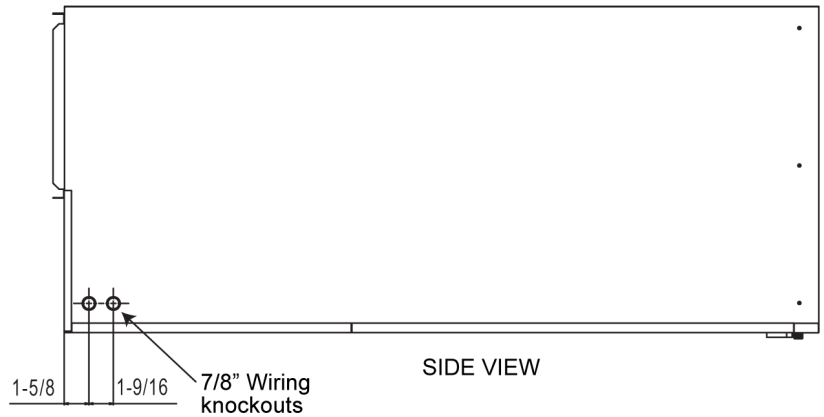
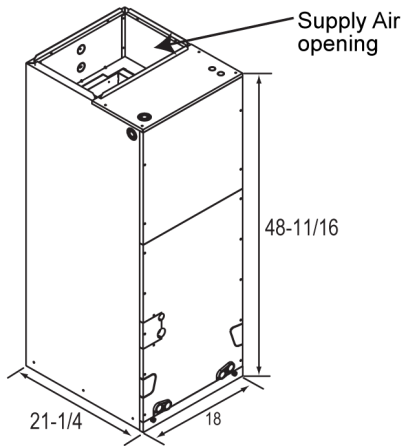
Job Name/Location:

LVN361HV4
Multi F Vertical Air Handling Unit
36,000 Btu/h Indoor Unit

Tag #: _____

Date: _____

PO No.: _____



Unit: inches
Note: All measurements have a tolerance of $\pm 1/4$ in.