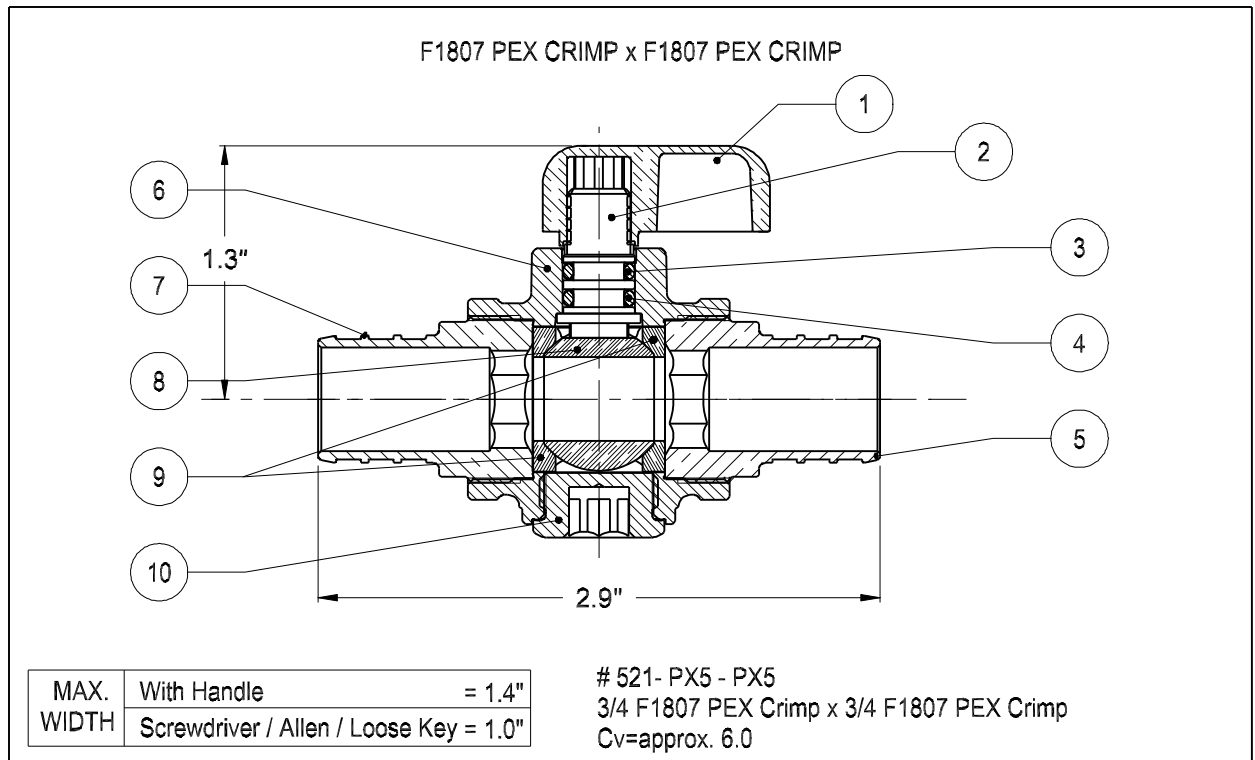


dahl-ECO mini-ball™ Valve

Plumbing, Heating & Cooling



- | | |
|---------------------------------------|--|
| 1. Nickel Plated Zinc Handle | 6. C377 Brass Body (not a wetted surface) |
| 2. Nickel Plated C693 Brass Spindle | 7. C693 Brass 3/4 F1807 PEX Crimp End |
| 3. EPDM O-ring | 8. Plated C693 Brass Ball |
| 4. Viton* O-ring | 9. Teflon* Seals |
| 5. C693 Brass 3/4 F1807 PEX Crimp End | 10. C360 Brass Plug (not a wetted surface) |

Working Pressure: 250 psi / 250°F
depending on pipe material.

UPC.
 ASME A112.18.1
 NSF / ANSI 61- G

Designed and Manufactured in
Canada

Wetted surface area contains <0.1wt% weighted average lead.

Also available with Screwdriver, Allen or Loose Key operation



dahl brothers canada limited

2600 S. SHERIDAN WAY, MISSISSAUGA, ON, CANADA L5J 2M4
 905-822-2330 CAN 800-268-5355 U.S. 800-268-2363
 FAX(905) 855-1450, USA AND CANADA 800-226-1801
www.sales@dahlvalve.com www.dahlvalve.com

* Registered Trademark of E.I. DuPont Nemours.

We reserve the right to alter prices and/or technical details without notice