

## DIRECT MOUNT AUTOMATIC SINK DRAIN PUMP LTA-1 (802210)

- 💧 No traps or inlet piping required
- 💧 Fits under wet bars, kitchenettes, vanities and utility sinks
- 💧 Simple installation saves time
- 💧 Takes up no floor space
- 💧 Allows sink installation without breaking concrete to drain
- 💧 Maximum temperature: 140° F (60° C)

Completely self-contained units that are easy to connect directly to laundry tray tubs. Lightweight and compact, these models eliminate reservoirs, traps, extra fittings and costly labor. The LTA-1 includes a pressure-activated switch that turns the pump on when the water enters the tub.

### FEATURES:

- 💧 Mounts directly to sink tailpiece
- 💧 No main stack vent connection required\*
- 💧 ABS high impact, corrosion resistant plastic housing
- 💧 Sealed diaphragm pressure switch



Model	Part No.	Voltage	HP @ RPM	Performance			Max Lift	Dimensions			
								Width	Length	Height	Weight
LTA-1	802210	115V 2.2A 60 Hz	1/8 @ 1670	Lift/Feet	6'	10'	11'	7'	8"	14"	19lbs
				Gallons/Hr	1560	600					
				Lift/Meters	1.83m	3.05m	3.35m	17.78cm	20.32cm	35.56cm	8.62kg
				Liters/Hr	5905	2271					

\* N.S.P.C. Section 11.7.9 . Check local codes



# DATA SHEET



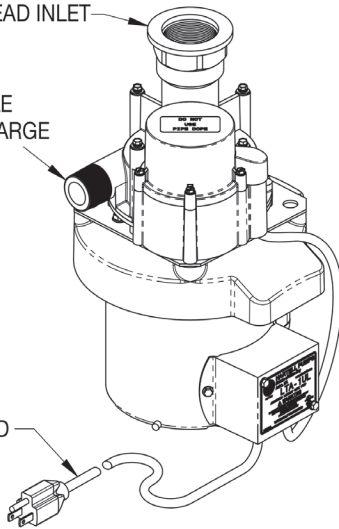
## DIRECT MOUNT AUTOMATIC SINK DRAIN PUMP LTA-1 (802210)



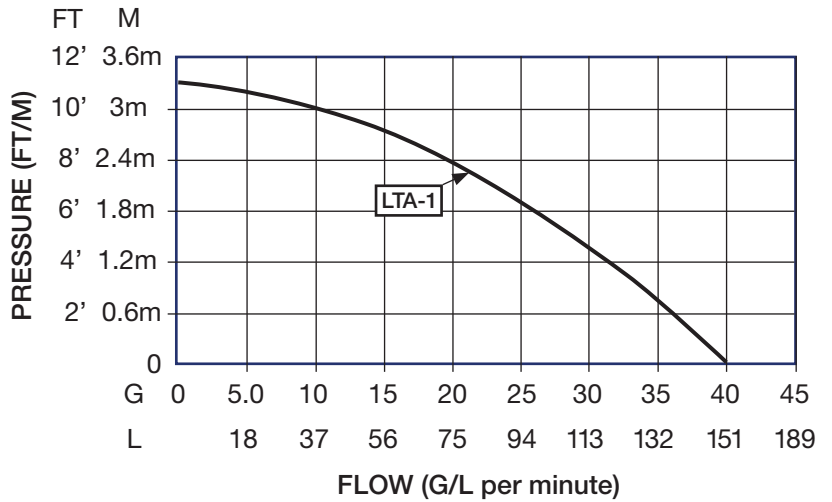
1-1/2" (3.81cm) FEMALE  
STRAIGHT PIPE THREAD INLET

1" (2.54 cm) NPT MALE  
PIPE THREAD DISCHARGE

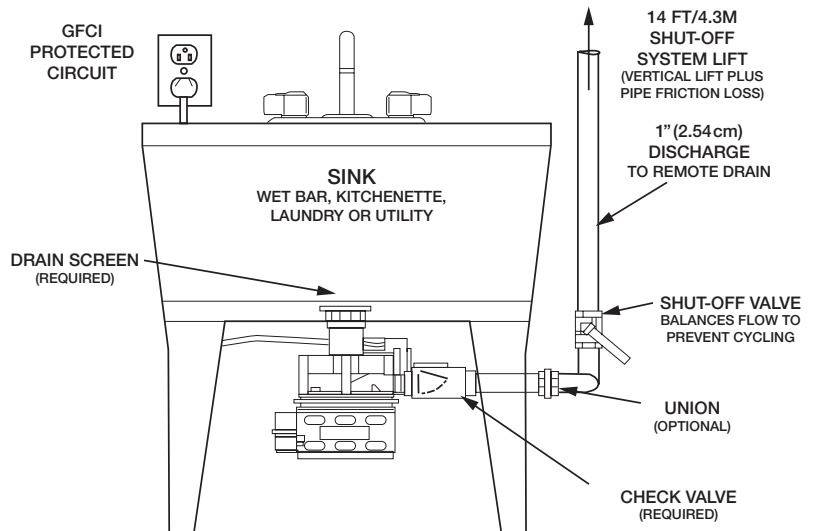
8 ft/2.4m  
POWER CORD



### Performance Curve Flow vs. Pressure



### RECOMMENDED INSTALLATION



#### RECOMMENDED MATERIALS FOR PROPER INSTALLATION

- PVC ADAPTER - 1" (2.54cm) NPT FEMALE X 1" (2.54cm) SOLVENT (Included)
- PVC CHECK VALVE - 1" (2.54cm) SOLVENT X 1" (2.54cm) SOLVENT (Included)
- PVC BALL VALVE (OR EQUIVALENT) - 1" (2.54cm) SOLVENT X 1" (2.54cm) SOLVENT (Included)
- PVC UNION - 1" (2.54cm) SOLVENT X 1" (2.54cm) SOLVENT (Optional)
- 1" (2.54cm) PVC PIPE (TO LENGTH REQUIRED), PTFE THREAD SEALING TAPE

