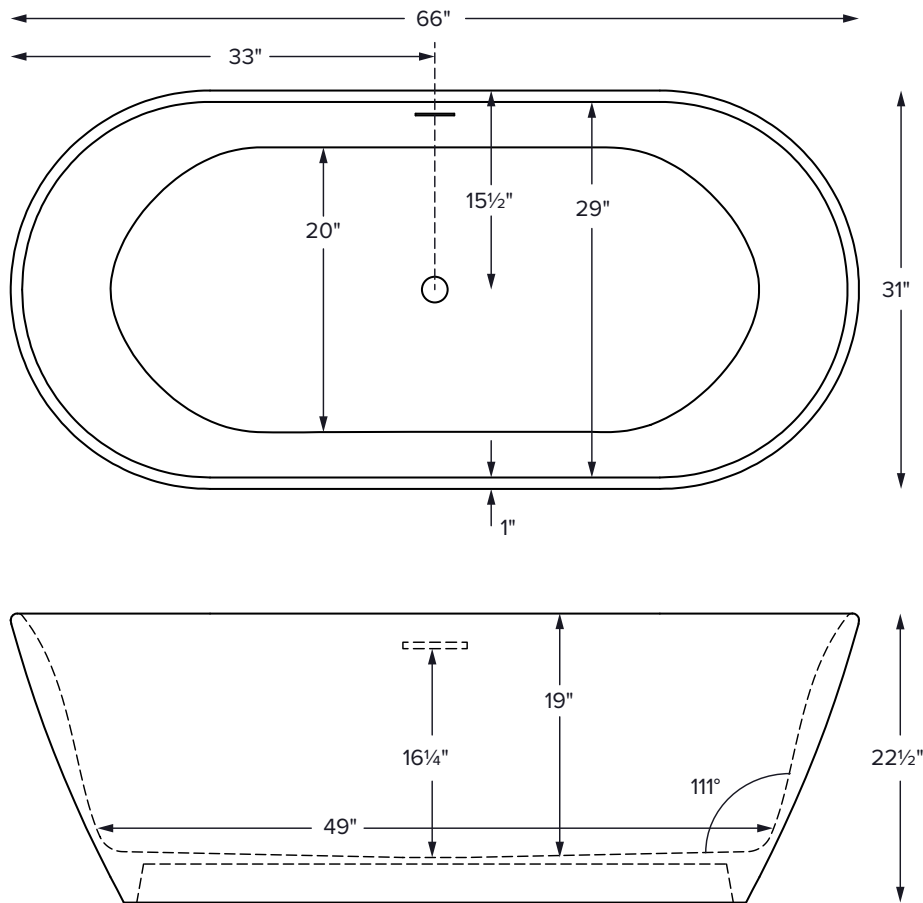


Wynona



66" x 31" x 22.5"
FREESTANDING 87 gal to overflow
Mineral Composite
185 lbs / 84 kg soaker
Filling this tub to the maximum may require an above average size or dedicated water heater.



ELECTRICAL COMPONENTS & SPECIFICATIONS

Hydrotherapy Package	Components Included	110V GFCI
Air Massage	heated blower	1-15 amp

Electrical requirements may change with the addition of optional therapy components. See specific [option details](#) or [installation information](#).
 CSA Certified C/US; ANSI Z124.1 and ANSI 112.19.7

IMPORTANT ORDERING & INSTALLATION INFORMATION

- Before ordering or installing, please consider future access to equipment.
- Integrated overflow with toe tap drain included. May also be specified without an overflow (see local codes).
- Air baths require job site preparations for remote mounting the blower and required check valve. Check valve must be installed higher than the rim of the tub.
- Waterproof remote control included. Keypad is shipped loose and may be mounted nearby.
- Faucet valves cannot be installed on this tub model.

See the Installation & Operation Manual for more details.
 MTI's Customer Service: Monday-Friday 8am-6pm EST
800-783-8827 or service@mtibaths.com

©2022 by MTI Baths, Inc. Modification Rights Reserved



- Before discarding tub packaging, check for accessories that may be inside.
- All product measurements are ±1/2".
- Specifications and configurations are subject to change without notice.
- Measurements herein supersede all others published prior to publication date below.

CSA # MTTC- 550

For more information on options and accessories go to Designer Mineral Composite Tubs Options on mtibaths.com

Wynona
66" x 31" x 22.5"

- Blower & required check valve for airbath must be remote mounted
- Check valve must be installed higher than the rim of the tub.

Hydrotherapy	Package Contents	Part #	MSRP
Soaker	Soaking bath - no jets; includes an integrated slotted overflow, in white with a toe-tap drain kit.	TSCOS550	\$6,525
Air Massage	20 air jets, heated air blower, keypad, waterproof remote control, integrated slotted overflow, in white with a toe-tap drain kit. Blower and control boxes must be remote located.	TSCOAST550	\$10,294

Color and Finish Options
Standard Colors: White, gloss finish only.
Optional Hardware
Quick Drain Kit - (WOQ) \$460
Integrated Overflow and Toe-Tap Drain Kit Finishes PVC drain - White (included with tub) Chrome upgrade (MCIOC) no charge Brushed Nickel upgrade (MCIOPN) no charge Polished Nickel upgrade (MCIOPN) no charge
Floor-Mounted High-Flow Tub Filler Contemporary Chrome (FILLC) \$1,480 Brushed Nickel (FILLBN) \$1,710
Faucet Stands - Available in two styles & multiple sizes. Standard Faucet Stand, Matte Finish Small / 21.75" x 14.25" / 3-hole capacity - (STAND) \$725 Large / 21.75" x 22" / 5-hole capacity - (STANDL) \$855 Gloss Finish Upcharge (SSGLOSSNK) \$430 Premium Faucet Stand 39" h x 15" w - Matte - (SSFSR3915MT) \$2,365 Gloss - (SSFSR3915GL) \$2,720 39" h x 10" w - Matte - (SSFSR3910MT) \$2,135 Gloss - (SSFSR3910GL) \$2,525 23" h x 20" w - Matte - (SSFSR2320MT) \$1,930 Gloss - (SSFSR2320GL) \$2,315 23" h x 15" w - Matte - (SSFSR2315MT) \$1,825 Gloss - (SSFSR2315GL) \$2,180

Standard Options and Accessories
Quick Ship - Reduces lead time - please call for availability. (QSPRI2) \$1,025
Bathroom Table - Constructed of SculptureStone® (TABLE) \$825 available in white only Gloss Finish Upcharge (SSGLOSSNK) \$430
SculptureStone® Tub Tray - Available in white only. Solid without stemware holder (SSTRAY1) \$340 Solid with Stemware Holder (SSTRAY2) \$450
Teak Tub Tray Slatted (TK-TRAY1) \$500 Solid (TK-TRAY2) \$570
Teak Bath Mat - Measures 30" x 17.5" x 1" (TKMAT3018) \$815 Custom sizes also available, contact MTI for details.

For complete options information and specifications, visit mtibaths.com.



Inside view of tub