

Stainless-steel Manifold Supply and Return Ball Valves

Submittal Information
Revision A: May 22, 2014

Project Information

Job Name:

Location:

Part No. Ordered:

Engineer:

Date Submitted:

Contractor:

Submitted By:

Manufacturer's Representative:

Approved By:

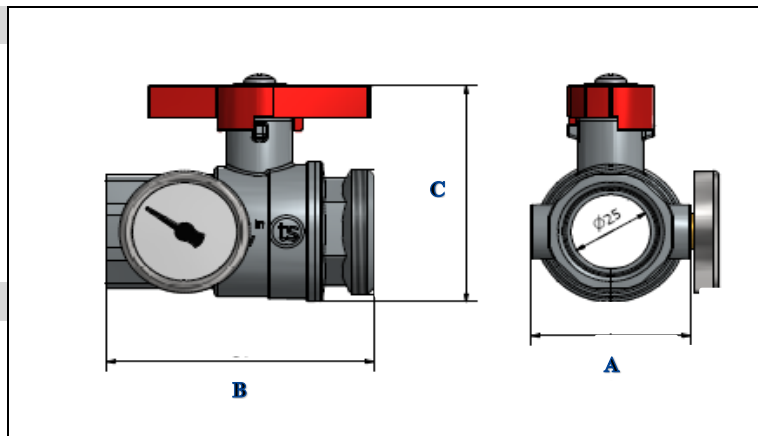
Technical Data

Material: CW617N-UNI EN12165, CW614N-UNI EN 12164

Maximum Working Temp/Pressure: 210°F (99°C) at 145 psi

Connection: R32 Mx F

Cv Value: 20



Product Information and Application Use

Uponor Stainless-steel Manifold Supply and Return Ball Valves are R32 male by 1" FNPT or R32 male by 1/4" FNPT that fit directly on the Stainless-steel Manifold assemblies. The ball valves come standard with temperature gauges for easy visual check of supply and return temperatures.

✓ Description

Stainless-steel Manifold Supply and Return 1" NPT Ball Valve with Temperature Gauge, set of 2

Part Number

A2771251

A

2.12"

B

3.40"

C

2.88"

Weight

2.32 lbs.

Stainless-steel Manifold Supply and Return 1-1/4" NPT Ball Valve with Temperature Gauge, set of 2

A2771252

2.62"

3.59"

3.30"

3.02 lbs.

Stainless-steel Manifold Temperature Gauge, set of 2

A2770132

N/A

N/A

N/A

0.06 lbs.

Stainless-steel Manifold Replacement Gasket for R32 Union Connection

A2771040

N/A

N/A

N/A

0.003 lbs.

Installation

Thread the supply ball valve into the supply manifold and the return ball valve into the return manifold by using the supplied gaskets. For further information, refer to the Uponor Stainless-steel Manifold Installation Guide.

Standards

N/A

Codes

N/A

Listings

N/A

Related Applications

Radiant Heating and Cooling Systems
Snow and Ice Melting Systems
Permafrost Protection Systems
Turf Conditioning Systems

Contact Information

Uponor, Inc.
5925 148th Street West
Apple Valley, MN 55124 USA
Phone: 800.321.4739
Fax: 952.891.2008
www.uponorpro.com

Uponor Ltd.
2000 Argenta Road, Plaza 1, Suite 200
Mississauga, ON L5N 1W1 CANADA
Phone: 888.994.7726
Fax: 800.638.9517
www.uponorpro.com