

Product information presented here reflects conditions at time of publication. Consult factory regarding discrepancies or inconsistencies.

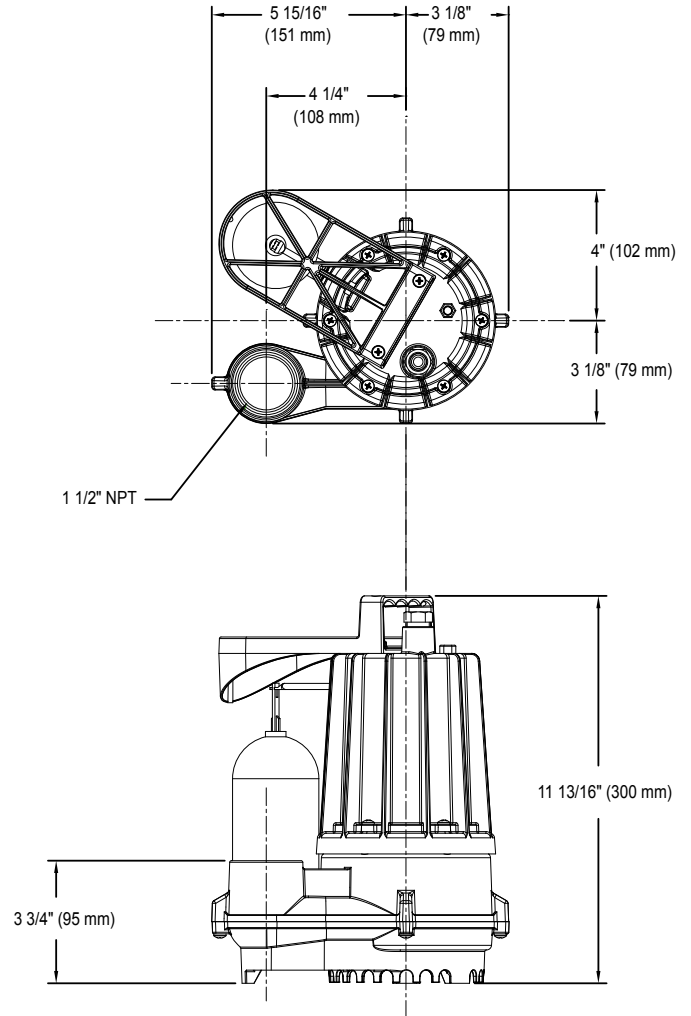
PUMP COMPANY

Zoeller Family of Water Solutions™

TECHNICAL DATA SHEET
AQUA-MATE SERIES
Model 72 Submersible Dewatering Pump

PRODUCT SPECIFICATIONS

MOTOR	Horse Power	3/10	
	Voltage	115	
	Phase	1 Ph	
	Hertz	60 Hz	
	RPM	3400	
	Type	Permanent split capacitor	
	Insulation	Class B	
	Amps	3.1	
	PUMP	Operation	Automatic or nonautomatic
Auto On/Off Points		7-3/8" (18.7 cm) / 3-5/8" (9.2 cm)	
Discharge Size		1-1/2" NPT	
Solids Handling		3/8" (9 mm) spherical solids	
Cord Length		9' (3 m) standard	
Cord Type		UL listed, 3-wire, grounded plug	
Max. Head		18' (5.5 m)	
Max. Flow Rate		38 GPM (144 LPM)	
Max. Operating Temp.		110° F (43° C)	
Cooling		Oil free	
Motor Protection		Auto reset thermal overload	
MATERIALS		Motor Housing	Engineered plastic
		Pump Housing	Engineered plastic
	Base	Engineered plastic	
	Upper Bearing	Ball bearing	
	Lower Bearing	Ball bearing	
	Mechanical Seals	Carbon and ceramic	
	Impeller Type	Non-clogging vortex	
	Impeller	Engineered plastic	
	Hardware	Stainless steel	
	Motor Shaft	410 stainless steel	
	Gasket	Buna-N o-ring	



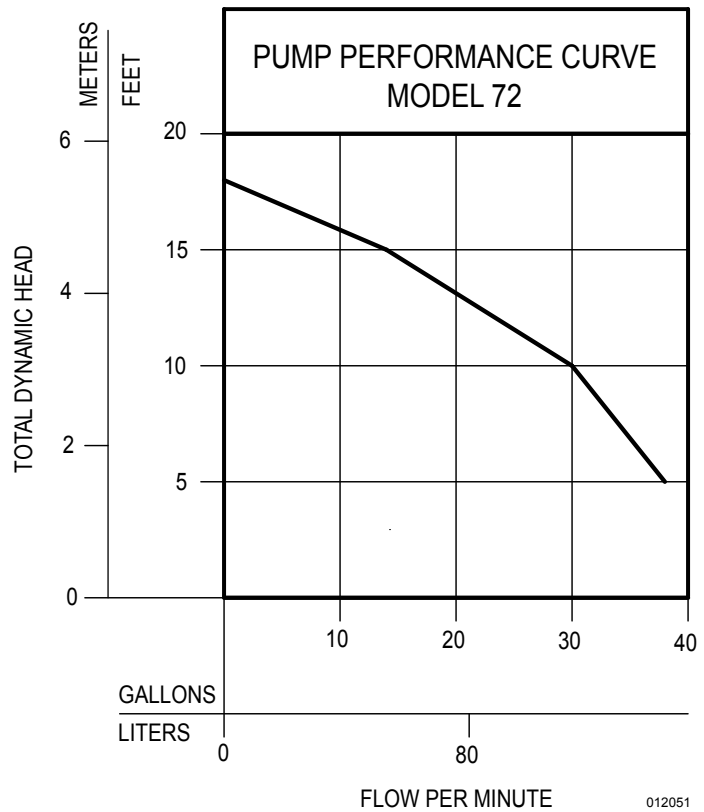
SK1924

NOTE: See model comparison chart for specific details.



**TOTAL DYNAMIC HEAD
FLOW PER MINUTE**

MODEL		72	
Feet	Meters	Gal.	Liters
5	1.5	38	144
10	3.0	30	114
15	4.6	14	53
Shut-off Head:		18 ft. (5.5 m)	



Model	MODEL COMPARISON										
	Seal	Mode	Volts	Ph	Amps	HP	Hz	Lbs	Kg	Simplex	Duplex
M72	Single	Auto	115	1	3.1	3/10	60	9.5	4.3	1	3
N72	Single	Non	115	1	3.1	3/10	60	9.5	4.3	2	2 & 3
BN72	Single	Non	115	1	3.1	3/10	60	9.5	4.3	*	---

* Single piggyback switch included.

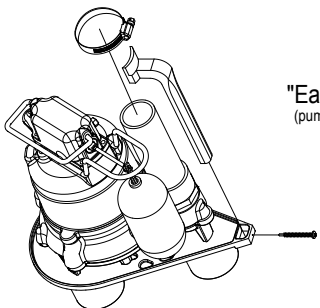
SELECTION GUIDE

1. Integral float-operated mechanical switch, no external control required.
2. Single piggyback variable level float switch or double piggyback variable level float switch. Refer to FM0477.
3. See FM0477 for a residential alternator system.

OPTIONAL PUMP STAND P/N 10-2421

- Reduces potential clogging by debris
- Replaces rocks or bricks under the pump
- Made of durable, noncorrosive ABS
- Raises pump 2" (5 cm) off bottom of basin
- Provides the ability to raise intake by adding sections of 1½" or 2" (DN40 or DN50) PVC piping
- Attaches securely to pump
- Accommodates sump, dewatering and effluent applications

NOTE: Make sure float is free from obstruction.



"Easy assembly"
(pump & discharge pipe
not included.)

CAUTION All installation of controls, protection devices and wiring should be done by a qualified licensed electrician. All electrical and safety codes should be followed including the most recent National Electrical Code (NEC) and the Occupational Safety and Health Act (OSHA).