

# LDI45/WDI45 Series

Resilient Seated Butterfly Valve

LEAD FREE

## SUBMITTAL SHEET

**"Apollo" Flow Controls**



Job Name:	
Job Location:	
Engineer:	
Contractor:	
Tag:	
PO#:	
Rep:	
Wholesale Dist.:	

### DESCRIPTION

The Apollo® LDI45/WDI45 Series Ductile Iron Butterfly Valves are ideal for use in Industrial and Commercial/HVAC/Mechanical applications. The WDI45 Series is a wafer style valve and the LDI45 Series is a lug style. Available in sizes 2" - 12".

### FEATURES

- Assembled in USA, Pageland, SC
- Compatible with ANSI Class 125 & 150 flanges
- ISO 5211 top plate allows choice of Apollo® pneumatic actuators and manual operators
- Conforms to MSS SP-67 & API 609
- LDI45 series suitable for end of line service to rated pressure (2" - 12")
- 3" and larger meet performance requirements of AWWA C-504
- Gray, epoxy coated bodies
- Pin-less/bolt-less stem shaft design
- Double-D stem input through 12"

### MATERIAL OPTIONS

#### BODY

- Ductile Iron ASTM A536, (65-45-12)

#### DISC MATERIAL

- Aluminum Bronze
- Ductile Iron A536 Nickel Plated
- 316 Stainless Steel, CF8M

#### SEAT MATERIAL

- EPDM: -20°F to +250°F Intermittent, 225°F Continuous (-29°C to +107°C)
- BUNA-N: +10°F to +180°F (-12°C to +82°C)
- Viton B: -20°F to 300°F (-29°C to +149°C)†

### STANDARD MATERIAL LIST

<b>BODY</b>	Ductile Iron ASTM A536
<b>BUSHINGS</b>	Glass Reinforced Epoxy Resin
<b>STEM SEAL</b>	Buna-N
<b>SHAFT</b>	416 SS ASTM A276 Type 416 (Standard) 316 SS ASTM A276 Type 316
<b>SEAT</b>	EPDM Buna-N (Nitrile)
<b>DISC</b>	Aluminum Bronze Ductile Iron / A536 Nickel Plated 316 Stainless Steel / CF8M

### PERFORMANCE RATING

- Pressure Rating: 2" to 12": 200 psi

### APPROVALS

- NSF/ANSI 372 - Lead Free
- NSF/ANSI 61 - Water Quality\*
- CRN: OC/2102CL

\*applies to bronze and stainless steel disc models

### OPERATOR

- (-0) None
- (-1) 10 Position Handle
- (-2) Gear Operator (12" Handwheels)
- (-4) Locking Handle
- (-3) Infinite Position Handle
- (-5) Gear Operator w/ Chain Wheel
- (-7) Locking Gear Operator
- (-8) Locking Gear Operator w/ Chain Wheel

### SPECIFICATIONS

VALVE SIZE		TORQUE RATING *(IN-LB)				FLOW C <sub>v</sub> FULL OPEN	WEIGHT (LB)		GEAR RATIO
		FULL RATED PRESSURES (PSI)					WD141	LD141	
IN.	MM	ΔP 50	ΔP 100	ΔP 150	ΔP 200				
2	50	100	106	111	117	115	6	9	30:1
2.5	65	150	163	176	189	196	8	10	30:1
3	80	207	220	232	244	302	9	11	30:1
4	100	290	323	357	390	600	11	18	30:1
5	125	423	481	540	598	1022	15	22	30:1
6	150	599	691	783	875	1579	18	26	30:1
8	200	1060	1183	1307	1430	3136	32	43	50:1
10	250	1671	1872	2074	2275	5340	47	66	50:1
12	300	2568	2795	3023	3250	8250	70	102	50:1

\*LUBRICATING MEDIA SURFACE

\*LEAD FREE: The wetted surfaces of this product shall contain no more than 0.25% lead by weighted average. Complies with Federal Public Law III-380. ANSI 3rd party approved and listed.

Customer Service (704) 841-6000  
www.apolloflowcontrols.com

This specification is provided for reference only. Conbraco Industries Inc. reserves the right to change any portion of this specification without notice and without incurring obligation to make such changes to Conbraco products previously or subsequently sold. Please visit [apolloflowcontrols.com](http://apolloflowcontrols.com) for the most current information.



# LD145/WD145 Series

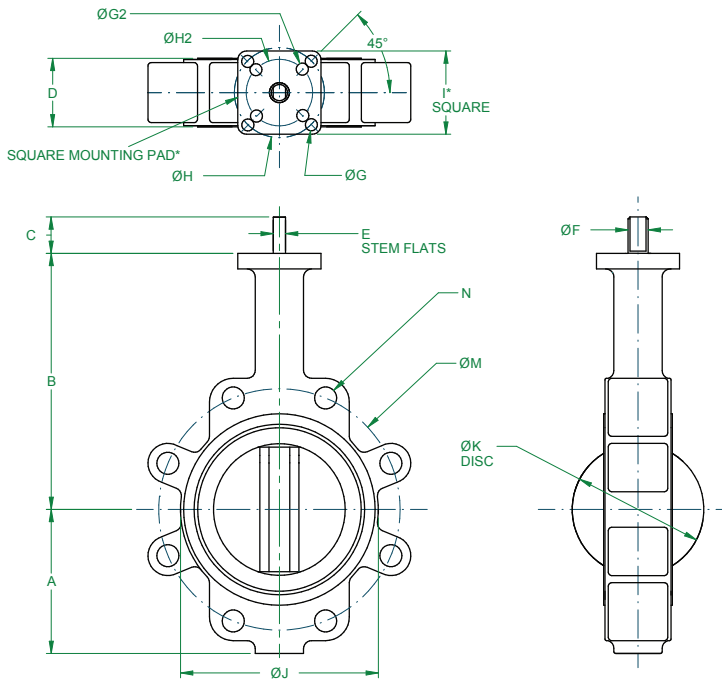
Resilient Seated Butterfly Valve

LEAD FREE

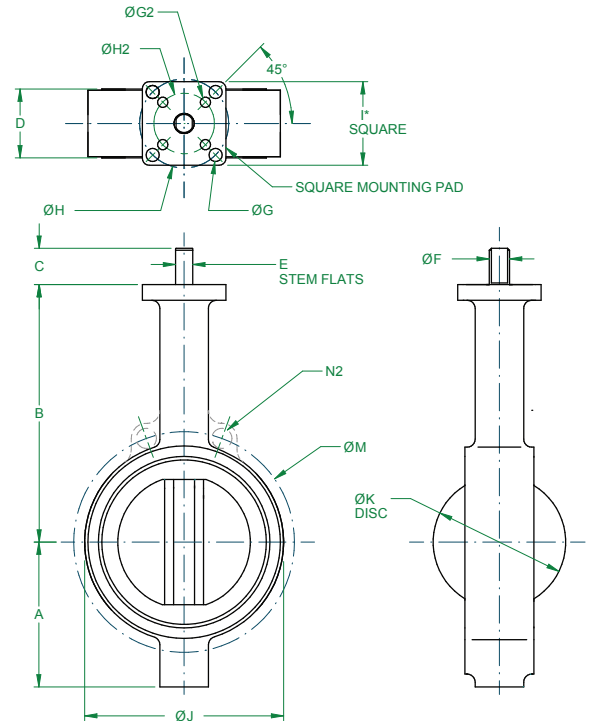
SUBMITTAL SHEET

"Apollo" Flow Controls

LD MODEL



WD MODEL



## DOUBLE-D AND KEVED STEM

SIZE INCHES	SIZE DN	DIMENSIONS IN INCHES																	
		A	B	C	D	E	ØF	ØG	ØG2	KEY	ØH	ØH2	I	ØJ	K	DISC CHORD	M	N (WD)	N 2 (LD)
2	50	3.25	6.375	1.25	1.75	0.394	0.496	0.375	--	--	2.756	--	2.699	4	2.09	1.113	4.75	0.688	.625-11
2.5	65	3.75	6.880	1.25	1.88	0.394	0.496	0.375	--	--	2.756	--	2.699	4.75	2.54	1.706	5.50	0.688	.625-11
3	80	4.00	7.130	1.25	1.88	0.394	0.496	0.375	--	--	2.756	--	2.699	5.13	3.09	2.450	6.00	0.688	.625-11
4	100	4.88	7.880	1.25	2.13	0.472	0.621	0.375	--	--	2.756	--	2.699	6.75	4.09	3.488	7.50	0.688	.625-11
5	125	5.38	8.380	1.25	2.25	0.551	0.745	0.375	--	--	2.756	--	2.699	7.75	4.85	4.296	8.50	0.813	.750-10
6	150	5.88	8.880	1.25	2.25	0.551	0.745	0.375	--	--	2.756	--	2.699	8.63	6.13	5.697	9.50	0.813	.751-10
8	200	7.13	10.250	1.75	2.50	0.669	0.870	0.563	0.438	--	4.921	4.015	4.606	10.56	7.89	7.468	11.75	0.813	.750-10
10	250	8.25	11.500	1.88	2.75	0.866	1.120	0.563	0.438	--	4.921	4.015	4.606	13.06	9.89	9.484	14.25	0.938	.875-9
12	300	9.75	13.250	1.88	3.13	0.945	1.244	0.563	--	--	4.921	--	4.606	16	11.89	11.456	17.00	0.938	.875-9