

# Contractor Gauge Lead Free Contractor Gauge

# PCT, PCT-LF



### Description & Features:

- Economical 4.5" (115mm) stainless steel case gauge
- Brass or lead free brass wetted parts
- ±1% accuracy
- Zero adjustment screw
- 1/4" NPT
- Restricted orifice
- ASME B40.100 compliant
- CRN registered
- 5 year warranty

### Applications:

- Most commercial air, water and steam services that require a ±1% full-scale accuracy



Specifications	
Dial	4.5" (115mm) white aluminum with black and red markings
Case	304 SS
Lens	Acrylic
Ring	304 SS
Socket	PCT: Brass PCT-LF: Lead free brass
Connection	1/4" NPT standard
Bourdon Tube	Phosphor bronze
Movement	Brass
Pointer	Aluminum, anodized black, recalibrator screw
Welding	Silver solder
Over-pressure Limit	25% for pressures up to 1,450 psi (9,998 kPa), 15% for pressures over 1,450 psi (9,998 kPa)
Working Pressure	Maximum 75% of full scale value
Ambient/Process Temperature	-40°F to 200°F (-40°C to 93°C)
Accuracy	±1% ANSI/ASME Grade 1A
Enclosure Rating	IP52

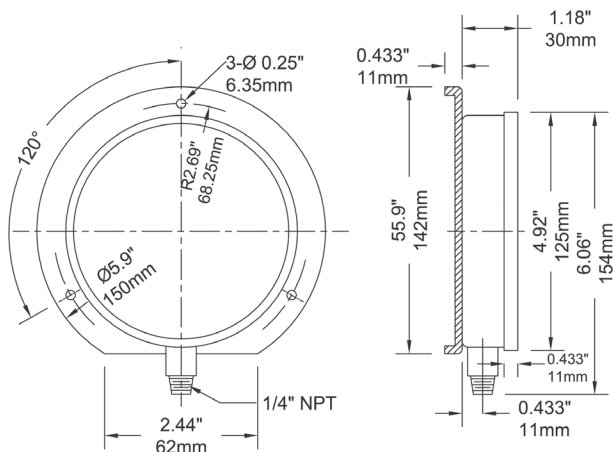
### PCT Order Codes (products in bold are normally stock in North America)

Connection	1/4" Bottom
30" Hg Vac/kPa	PCT320
30"/0/30 psi/kPa	<b>PCT329</b>
30"/0/60 psi/kPa	<b>PCT330</b>
30"/0/100 psi/kPa	<b>PCT328</b>
30"/0/160 psi/kPa	PCT332
30"/0/200 psi/kPa	PCT333
30"/0/300 psi/kPa	PCT334
0/15 psi/kPa	<b>PCT319</b>
0/30 psi/kPa	<b>PCT321</b>
0/60 psi/kPa	<b>PCT322</b>
0/100 psi/kPa	<b>PCT323</b>
0/160 psi/kPa	<b>PCT324</b>
0/200 psi/kPa	<b>PCT325</b>
0/300 psi/kPa	<b>PCT326</b>
0/400 psi/kPa	<b>PCT327</b>
0/600 psi/kPa	<b>PCT331</b>
0/1,000 psi/kPa	PCT293
0/3,000 psi/kPa	PCT294
0/5,000 psi/kPa	PCT295

### PCT-LF Order Codes (products in bold are normally stock in North America)

Connection	1/4" Bottom
30" Hg Vac/kPa	PCT320LF
30"/0/30 psi/kPa	PCT329LF
30"/0/60 psi/kPa	PCT330LF
30"/0/100 psi/kPa	PCT328LF
30"/0/160 psi/kPa	PCT332LF
30"/0/200 psi/kPa	PCT333LF
30"/0/300 psi/kPa	PCT334LF
0/15 psi/kPa	PCT319LF
0/30 psi/kPa	<b>PCT321LF</b>
0/60 psi/kPa	<b>PCT322LF</b>
0/100 psi/kPa	PCT323LF
0/160 psi/kPa	<b>PCT324LF</b>
0/200 psi/kPa	<b>PCT325LF</b>
0/300 psi/kPa	<b>PCT326LF</b>
0/400 psi/kPa	<b>PCT327LF</b>
0/600 psi/kPa	PCT331LF
0/1,000 psi/kPa	PCT293LF
0/3,000 psi/kPa	PCT294LF
0/5,000 psi/kPa	PCT295LF

### 4.5" Bottom Connection



Other ranges and connection sizes available upon request. For scale change, refer to How to Order Guide for scale codes. **For options, attach suffix to end of order code: i.e. PCT322-45BF for BACK FLANGE.**

#### Option suffix:

45BF = 4.5" (115mm) Back flange