



# 2017 Product Catalog

Effective February 20th, 2017



**RELIABLE - PROVEN - TRUSTED - SINCE 1936**



Arrowhead Brass & Plumbing, LLC  
5147 Alhambra Ave. Los Angeles, CA 90032  
Phone: (800) 332-4267 | Fax: (323) 221-2579  
[www.arrowheadbrass.com](http://www.arrowheadbrass.com)

 an IBP GROUP company



# No Lead. No Worries. Because your health matters.



- The EPA regulations state that hose bibs and valves MUST be LEAD FREE if potable use can be anticipated.
- Arrowhead products are 3rd-party certified to Lead Free standard NSF/ANSI 372, by IAPMO and Truesdail Laboratories.
- Pending changes to the EPA standards will likely require that all plumbing valves be LEAD FREE.

**Don't wait!  
Go Green!  
Choose Lead Free!**

## About Arrowhead

For over 80-years, Arrowhead Brass & Plumbing has been an American tradition in the plumbing industry, with our high-quality brass hose-end valves. Since 2014, Arrowhead products have been made from lead free brass alloys, enabling our products to be certified to all relevant lead free certifications. Arrowhead, based in Los Angeles, CA, is now part of a global manufacturing group, the IBP Group, and our mission to strive for excellence is accomplished with our dedication to our group heritage of quality and service that dates back to 1873.

# Table of Contents



WARM CLIMATE VALVES	
Standard Hose Bibs.....	4
Solid-Flange Sill-Faucets.....	5
No-Kink Hose Bibs.....	6
Garden Valves.....	7
Boiler Drains & Evaporative Cooler Valves .....	8
Washing Machine Valves.....	9
Arrow-Breaker® Anti-Siphon Hose Bibs.....	10
Arrow-Breaker® Anti-Siphon Sill-Faucets.....	11
Arrow-Breaker® Anti-Siphon Garden Valves.....	11
Log Lighter Valves & Kits.....	12-13

FROST-PROOF HYDRANTS	
Frost-Proof Hydrant Information & Installation Guide.....	14-15
420 Series Anti-Siphon Frost-Proof Hydrants.....	16-17
450 Series Standard Frost-Proof Hydrants.....	18-19
460 Series Arrow-Breaker® Frost-Proof Hydrants.....	20-21
470 Series Freeze-Proof® Frost-Proof Hydrants.....	22-23
480 Series Self-Draining Anti-Siphon Frost-Proof Hydrants.....	24-25
490 Series Hot & Cold Anti-Siphon Frost-Proof Hydrants.....	26-27
410 Series Double-Arrow Commercial Anti-Siphon Frost-Proof Hydrants.	28-29

PARTS & ACCESSORIES	
Vacuum Breakers.....	30
Self-Draining Vacuum Breakers.....	31
The Hose-Bib Lock.....	32
Shower Head Adapters.....	32
Drainage Connections.....	32

Part Kits: Replacement Handles.....	33
Part Kits: Hose Bib Repair.....	34
Part Kits: Frost-Proof Stems.....	35
Part Kits: Frost-Proof Hydrant Parts.....	35



**Pricing Effective:**  
**February 20, 2017**  
 Standard Terms: NET 30  
 \$1,000 Order  
 Prepay Freight



# Standard Hose Bibs

## 201LF & 202LF Series



## 301LF & 302LF Series



## FEATURES

- Heavy duty lead-free bronze.
- NSF/ANSI 372 certified, Truesdail Laboratories Inc.
- Exclusive one piece O-ring style bonnet and green tee handle.
- 3-year limited warranty.
- Max pressure: 125 PSI.
- Max temperature: 180° F.

Base Model	Description	List Price	Weight (LBS)	Pack Qty	Case Qty
201LF	Standard Hose Bib 1/2 MIP with Shank Lead Free	\$15.68	0.848	6	36
202LF	Standard Hose Bib 3/4 MIP with Shank Lead Free	\$16.82	0.889	6	36
301LF	Standard Hose Bib 1/2 MIP Lead Free	\$12.34	0.695	12	72
302LF	Standard Hose Bib 3/4 MIP Lead Free	\$12.86	0.737	12	72



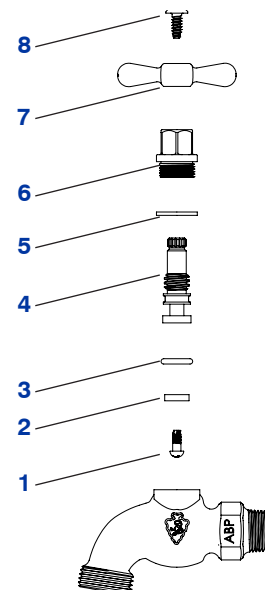
**NSF/ANSI 372:  
 Lead Free**

## Available Options

<b>Loose Key</b>  <b># 301LKLF + \$2.90</b> Lock-shield with removable loose key	<b>Less Key</b>  <b># 301LSLF + \$2.32</b> Lock-shield only; no key	<b>ANT-SIPHON BACK-FLOW PREVENTER</b>  <b># 301BFPLF + \$9.25</b> Factory installed vacuum breaker- ASSE 1011 certified	<b>QuickTurn®</b>  <b># 301QTLF no adder</b> Easy On-Off Operation without letting go of the handle	<b>Self-Closing</b>  <b># 301SCLF + \$53.76</b> ADA approved; 5 lbs of pressure to operate	<b>Plain-End</b>  <b># 301PELF + \$1.16</b> Plain/no-thread outlet; perfect for parks & camp-grounds	<b>Polished Chrome Finish</b> <b># 301CHRLF + \$28.92</b>
<b>Nickel Plated Finish</b> <b># 301SATLF + \$3.48</b>						

## Repair & Replacement Parts

<b>Stem Repair Parts Kit</b>  <b># PK1000 \$4.30</b> Seat washer (2) & screw (1), nylon washer (5) & handle screw (8)	<b>Replacement Stem Assembly</b>  <b># PK1100 \$9.36</b> Complete stem & bonnet replacement (1-6)	<b>Replacement Tee Handle &amp; Screw</b>  <b># PK1270 \$4.70</b> Green tee handle (7) & handle screw (8)	<b>Replacement Loose Key</b>  <b># PK1300 \$6.10</b> Loose Key for LK style valves
<b>QuickTurn® Stem Assembly</b>  <b># PK-QTASSY \$9.70</b> QT stem assembly with lever handle & screw	<b>Loose Key Stem Assembly</b>  <b># PK1150 \$13.38</b> Loose key & lock-shield stem assembly	<b>Replacement Back-Flow Preventer</b>  <b># 58BFP \$11.18</b> ASSE 1011; replacement fine thread vacuum breaker	



LEAD FREE

LEAD FREE



Pricing Effective:  
February 20, 2017  
Standard Terms: NET 30  
\$1,000 Order  
Prepay Freight



Solid Flange Sillcocks

# Solid Flange Sillcocks

## 255LF & 355LF Series

## 255SWLF & 355SWLF Series



## FEATURES

- Heavy duty lead-free bronze.
- NSF/ANSI 372 certified, Truesdail Laboratories Inc.
- Exclusive one piece O-ring style bonnet & green oval handle.
- 3-year limited warranty.
- Max pressure 125 PSI.
- Max temperature 180° F.



NSF/ANSI 372:  
Lead Free

Base Model	Description	List Price	Weight (LBS)	Pack Qty	Case Qty
255LF	Sillcock 1/2 FIP Lead Free	\$13.42	0.639	6	36
255SWLF	Sillcock 1/2 Sweat Lead Free	\$13.68	0.694	6	36
355LF	Sillcock 3/4 FIP Lead Free	\$14.00	0.67	6	36
355SWLF	Sillcock 3/4 Sweat Lead Free	\$15.16	0.67	6	36

## Available Options

### Loose Key & Less Key



# 255LKLF + \$2.90  
# 255LSLF + \$2.32  
LK: Lock-shield with key  
LS: Lock-shield; no key

### ANT-SIPHON BACK-FLOW PREVENTER



# 255BFPLF + \$9.25  
Factory installed vacuum breaker- ASSE 1011 certified

### Self-Draining Vacuum Breaker



# 255BFPSDLF + \$17.36  
Self-draining anti-siphon vacuum breaker

### QuickTurn®



# 255QTLF no adder  
Easy On-Off Operation without letting go of the handle

### 1/2" PEX Inlet



# 255PEXLF + \$1.16  
Self-draining anti-siphon vacuum breaker

### Wheel Handle



# 255WHLF + \$2.32  
Green wheel handle

### Polished Chrome Finish

# 255CHRLF + \$28.92

### Nickel Plated Finish

# 255SATLF + \$3.48

## Repair & Replacement Parts

### Stem Repair Parts Kit



# PK1000 \$4.30  
Seat washer (2) & screw (1), nylon washer (4) & handle screw (7)

### Replacement Stem Assembly



# PK1100 \$9.36  
Complete stem & bonnet replacement (1-6)

### Replacement Oval Handle & Screw



# PK1290 \$5.62  
Green tee handle (6) & handle screw (7)

### Replacement Loose Key



# PK1300 \$6.10  
Loose Key for LK style valves

### QuickTurn® Stem Assembly



# PK-QTASSY \$9.70  
QT stem assembly with lever handle & screw

### Loose Key Stem Assembly



# PK1150 \$13.38  
Loose key & lock-shield stem assembly

### Replacement Back-Flow Preventer

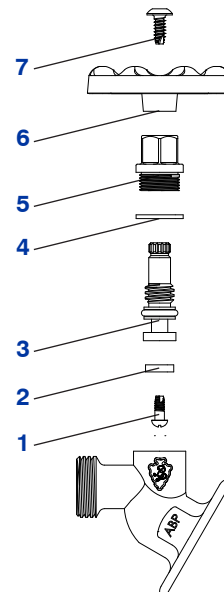


# 58BFP \$11.18  
ASSE 1011; replacement fine thread vacuum breaker

### Self-Draining Back-Flow Preventer



# 59BFP \$22.38  
ASSE 1019; Self-Draining Vacuum Breaker; fine thread



LEAD FREE

LEAD FREE

Pricing Effective:  
**February 20, 2017**  
 Standard Terms: NET 30  
 \$1,000 Order  
 Prepay Freight



# No Kink Hose Bibs

251LF - 351LF Series      252LF Series      253LF - 353LF Series      254CCLF Series



Base Model	Description	List Price	Weight (LBS)	Pack Qty	Case Qty
251LF	No-Kink Hose Bib 1/2 MIP Lead Free	\$11.56	0.556	12	72
252LF	No-Kink Hose Bib 1/2 or 3/4 Sweat Lead Free	\$11.56	0.569	12	72
253LF	No-Kink Hose Bib 1/2 FIP Lead Free	\$11.24	0.5	12	72
254CCLF	No-Kink Hose Bib 1/2 Compression Lead Free	\$13.86	0.625	12	72
351LF	No-Kink Hose Bib 3/4 MIP Lead Free	\$12.14	0.612	12	72
353LF	No-Kink Hose Bib 3/4 FIP Lead Free	\$11.84	0.541	12	72




## FEATURES

- Heavy duty lead-free bronze: NSF/ANSI 372 certified, Truesdail Laboratories Inc.
- Exclusive one piece O-ring style bonnet & green tee handle.
- 3-year limited warranty.
- Max pressure: 125 PSI.
- Max temperature: 180° F.



NSF/ANSI 372:  
 Lead Free

## Available Options

<p><b>Loose Key &amp; Less Key</b></p>  <p># 251LKLF + \$2.90                  # 251LSLF + \$2.32                  LK: Lock-shield with key                  LS: Lock-shield; no key</p>	<p><b>ANT-SIPHON BACK-FLOW PREVENTER</b></p>  <p># 253BFPLF + \$9.25                  Factory installed vacuum breaker- ASSE 1011 certified</p>
<p><b>QuickTurn®</b></p>  <p># 252QTLF no adder                  Easy On-Off Operation without letting go of the handle</p>	<p><b>Polished Chrome Finish</b></p> <p># 251CHRLF + \$28.92</p>
	<p><b>Nickel Plated Finish</b></p> <p># 251SATLF + \$3.48</p>

## Repair & Replacement Parts

<p><b>Stem Repair Parts Kit</b></p>  <p># PK1000 \$4.30                  Seat washer (2) &amp; screw (1), nylon washer (4) &amp; handle screw (7)</p>	<p><b>Replacement Stem Assembly</b></p>  <p># PK1100 \$9.36                  Complete stem &amp; bonnet replacement (1-5)</p>	<p><b>Replacement Tee Handle &amp; Screw</b></p>  <p># PK1270 \$4.70                  Green tee handle (6) &amp; handle screw (7)</p>	<p><b>1/2" Copper Compression Kit</b></p>  <p># PK1180 \$6.22                  Replacement compression nut (9) and ferrule (8)</p>
<p><b>QuickTurn® Stem Assembly</b></p>  <p># PK-QTASSY \$9.70                  QT stem assembly with lever handle &amp; screw</p>	<p><b>Loose Key Stem Assembly</b></p>  <p># PK1150 \$13.38                  Loose key &amp; lock-shield stem assembly</p>	<p><b>Replacement Back-Flow Preventer</b></p>  <p># 58BFP \$11.18                  ASSE 1011; replacement fine thread vacuum breaker</p>	

LEAD FREE

LEAD FREE

Pricing Effective:  
 February 20, 2017  
 Standard Terms: NET 30  
 \$1,000 Order  
 Prepay Freight



# Garden Valves

## 925LF Series



## 930LF Series



## 975LF Series



## 980LF Series



LEAD FREE

Base Model	Description	List Price	Weight (LBS)	Pack Qty	Case Qty
925LF	Garden Valve 1/2 & 3/4 FIP Nested Threads Lead Free	\$19.00	0.667	6	36
930LF	Garden Valve Bent Nose 1" FIP Lead Free	\$19.00	0.667	6	36
975LF	Garden Valve Inverted Nose 1/2 & 3/4 FIP Nested Threads Lead Free	\$20.78	0.777	12	72
980LF	Garden Valve Inverted Nose 1" FIP Lead Free	\$21.98	0.888	12	72

## FEATURES

- Heavy duty lead-free bronze.
- NSF/ANSI 372 certified lead free, Truesdail Laboratories Inc.
- 3-year limited warranty.
- Max pressure: 125 PSI.
- Max temperature: 180° F.
- 925LF & 975LF models feature dual "nested" 1/2" & 3/4" FIP threads.



\*Nested threads:  
 1/2" & 3/4" FIP Inlet



NSF/ANSI 372:  
 Lead Free

LEAD FREE

## Available Options

### Loose Key & Less Key



# 925LKLF + \$2.90  
 # 925LSLF + \$2.32  
 LK: Lock-shield with key  
 LS: Lock-shield; no key

### ANT-SIPHON BACK-FLOW PREVENTER



# 930BFPLF + \$9.25  
 Factory installed vacuum breaker- ASSE 1011 certified

### Nickel Plated Finish

# 925SATLF + \$3.48

### Polished Chrome Finish

# 980CHRLF + \$28.92

## Repair & Replacement Parts

### Replacement Stem 925LF - 975LF



# PK1140 \$10.92  
 Complete stem & bonnet assembly (#'s 1-5)

### Replacement Stem 930LF - 980LF



# PK1130 \$10.92  
 Complete stem, washer & packing assembly (#'s 10-15)

### Replacement Oval Handle & Screw



# PK1290 \$5.62  
 Green tee handle (6) & handle screw (7)

### Replacement Base Nut & Gasket

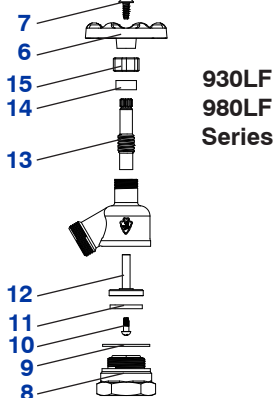
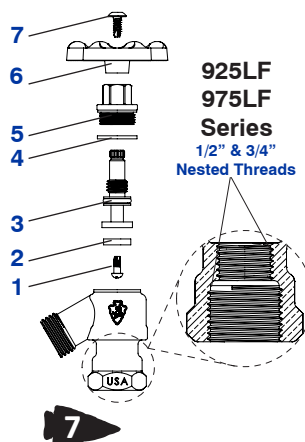


# PK1180 \$6.22  
 Base nut & gasket for 930LF & 980LF garden valves (#'s 8 & 9)

### Replacement Back-Flow Preventer



# 58BFP \$11.18  
 ASSE 1011; replacement fine thread vacuum breaker



**Pricing Effective:**  
**February 20, 2017**  
 Standard Terms: NET 30  
 \$1,000 Order  
 Prepay Freight



## Boiler Drains & Evaporative Cooler Valves

221LF - 223LF



220LF - 222LF



221CCRBLF



225LF



240LF - 245LF



Base Model	Description	List Price	Weight (LBS)	Pack Qty	Case Qty
220LF	Boiler Drain 3/4 FIP Lead Free	\$12.54	0.569	12	72
221CCRBLF	Boiler Drain 1/2 Compression Lead Free	\$12.66	0.514	12	72
221LF	Boiler Drain 1/2 MIP Lead Free	\$11.50	0.444	12	72
222LF	Boiler Drain 1/2 FIP Lead Free	\$12.54	0.486	12	72
223LF	Boiler Drain 3/4 MIP Lead Free	\$11.50	0.458	12	72
223SWLF	Boiler Drain 3/4 MIP Sweat Lead Free	\$11.78	0.458	12	72
225LF	Inverted Nose Boiler Drain 1/2 MIP Lead Free	\$12.54	0.49	12	72
240LF	Evap. Cooler Valve 3/4 FIP Inlet w-1/8 Tap Lead Free	\$13.64	0.556	12	72
245LF	Evap. Cooler Valve 3/4 Hose Inlet w-1/8 Tap Lead Free	\$13.64	0.556	12	72

### FEATURES

- Heavy duty lead-free bronze.
- NSF/ANSI 372 certified lead free, Truesdail Laboratories Inc.
- Exclusive one piece O-ring style bonnet.
- 3-year limited warranty.
- Max pressure: 125 PSI.
- Max temperature: 180° F.
- Models 240LF & 245LF evaporative cooler valves include 1/8" side tap.



NSF/ANSI 372:  
Lead Free

LEAD FREE

LEAD FREE

### Available Options

**Loose Key & Less Key**

# 221LKLF + \$2.90  
LK: Lock-shield with key  
LS: Lock-shield; no key

**ANT-SIPHON BACK-FLOW PREVENTER**

# 221BFPLF + \$9.25  
Factory installed vacuum breaker- ASSE 1011 certified

**QuickTurn®**

# 221QTLF no adder  
Easy On-Off Operation without letting go of the handle

**Polished Chrome Finish**

# 221CHRLF + \$28.92

**Nickel Plated Finish**

# 221SATLF + \$3.48

### Repair & Replacement Parts

**Stem Repair Parts Kit**

# PK1000 \$4.30  
Seat washer (2) & screw (1), nylon washer (4) & handle screw (7)

**Replacement Stem Assembly**

# PK1100 \$9.36  
Complete stem & bonnet replacement (1-5)

**Wheel Handle & Screw**

# PK1250 \$5.10  
Replacement green wheel handle (6) & handle screw (7)

**1/2" Copper Compression Kit**

# PK1180 \$6.22  
Replacement compression nut and ferrule for 221CCRBLF

**QuickTurn® Stem Assembly**

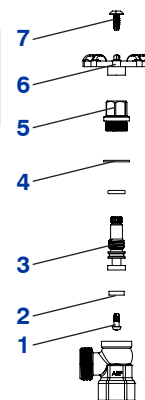
# PK-QTASSY \$9.70  
QT stem assembly with lever handle & screw

**Loose Key Stem Assembly**

# PK1150 \$13.38  
Loose key & lock-shield stem assembly

**Replacement Back-Flow Preventer**

# 58BFP \$11.18  
ASSE 1011; replacement fine thread vacuum breaker



Pricing Effective:  
**February 20, 2017**  
 Standard Terms: NET 30  
 \$1,000 Order  
 Prepay Freight



# Washing Machine Valves

**221CCLF**



**247LF**



**248LF**



**249LF**



**250LF**



LEAD FREE



Base Model	Description	List Price	Weight (LBS)	Pack Qty	Case Qty
221CCLF	WMV 1/2 Comp. Inlet x 3/4 M Hose Lead Free	\$15.84	0.514	12	72
247LF	WMV 1/2 FIP Inlet x 3/4 M Hose Lead Free	\$13.88	0.486	12	72
248LF	WMV 1/2 FIP x MIP Reverse Bypass w/ side 3/4 Hose Lead Free	\$29.72	0.737	12	72
249LF	WMV 1/2 FIP Inlet x 3/4 M Hose- Top Handle- LF	\$14.22	0.389	12	72
250LF	WMV 1/2 FIP x 1/2 MIP Bypass w/ 3/4 Bottom Hose Lead Free	\$26.02	0.653	12	72

## FEATURES

- Heavy duty lead-free bronze.
- NSF/ANSI 372 certified lead free, Truesdail Laboratories Inc.
- Various configurations & connections with 1/2" pipe inlet.
- Exclusive one piece O-ring style bonnet & burnished tee handle .
- Satin/nickel plated finish.
- 3-year limited warranty.
- Max pressure: 125 PSI.
- Max temperature: 180° F.



**NSF/ANSI 372:  
 Lead Free**

LEAD FREE



## Repair & Replacement Parts

### Stem Repair Parts Kit



**# PK1000 \$4.30**  
 Seat washer (2) & screw (1), nylon washer (4) & handle screw (7)

### Replacement Stem Assembly



**# PK1110 \$10.92**  
 Complete stem & bonnet replacement (1-5); nickel plated

### Replacement Tee Handle & Screw



**# PK1270 \$4.70**  
 Burnished tee handle (6) & handle screw (7)

### Loose Key Stem Assembly



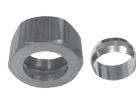
**# PK1155 \$13.38**  
 Loose key & lock-shield stem assembly; nickel plated

### Replacement Hose, Plug and Washers

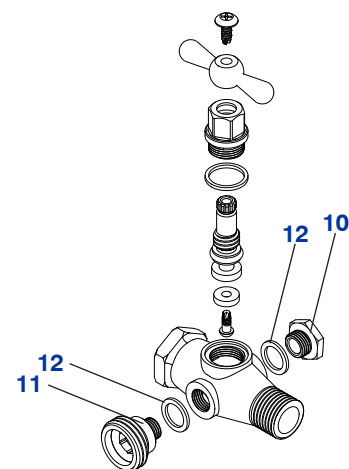
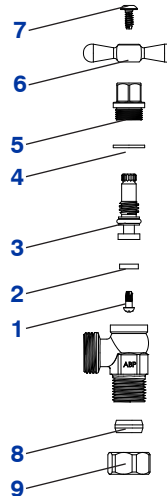


**# PK1200 \$11.50**  
 Replacement Plug (10), Hose connection (11) & washers (12) for 248LF

### 1/2" Copper Compression Kit



**# PK1170 \$6.54**  
 Compression nut (9) and ferrule (8) for 221CCLF; nickel plated



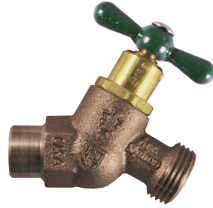


Pricing Effective:  
 February 20, 2017  
 Standard Terms: NET 30  
 \$1,000 Order  
 Prepay Freight



# Arrow-Breaker® Hose Bibs

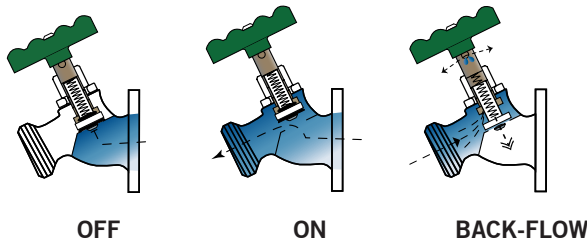
261LF - 361LF Series      262LF Series      263LF - 363LF Series      264CCLF Series



Base Model	Description	List Price	Weight (LBS)	Pack Qty	Case Qty
261LF	Arrow-Breaker® No-Kink Hose Bib 1/2 MIP LF	\$18.73	0.59	12	72
262LF	Arrow-Breaker® No-Kink Hose Bib 1/2 or 3/4 SWT LF	\$18.76	0.59	12	72
263LF	Arrow-Breaker® No-Kink Hose Bib 1/2 FIP Lead Free	\$18.76	0.518	12	72
264CCLF	Arrow-Breaker® No-Kink Hose Bib 1/2 Compression Lead Free	\$24.40	0.59	12	72
361LF	Arrow-Breaker® No-Kink Hose Bib 3/4 MIP LF	\$19.52	0.602	12	72
363LF	Arrow-Breaker® No-Kink Hose Bib 3/4 FIP Lead Free	\$19.52	0.552	12	72

## FEATURES

- Heavy duty lead-free bronze.
- NSF/ANSI 372 certified lead free, Truesdail Laboratories Inc.
- Patented Arrow-Breaker®: built-in anti-siphon back-flow preventer that protects your water supply from harmful contaminants.
- ASSE 1011 approved, IAPMO certified.
- Exclusive one piece O-ring style bonnet & green tee handle.
- 3-year limited warranty.
- Max pressure: 125 PSI.
- Max temperature: 180° F.
- High flow rate: 11-12 gallons per minute at 50 PSI.



SCAN HERE TO SEE HOW THE  
 ARROW-BREAKER® TECHNOLOGY WORKS  
 Or visit <http://youtu.be/g7Z2cd4AbKw>



## Available Options

**Loose Key & Less Key**

# 261LKLF + \$2.90

LK: Lock-shield with key  
 LS: Lock-shield; no key

**Nickel Plated Finish**

# 361SATLF + \$3.48

## Repair & Replacement Parts

**Replacement Stem Assembly**

# PK1600 \$10.98

Replacement Arrow-Breaker® stem & bonnet assembly (1-9)

**Loose Key Stem Assembly**

# PK1600LK \$14.98

Arrow-Breaker® Loose key & lock-shield stem assembly

**Replacement Tee Handle & Screw**

# PK1270 \$4.70

Green tee handle (10) & handle screw (11)

**1/2" Copper Compression Kit**

# PK1180 \$6.22

Replacement compression nut and ferrule for 221CCRBLF

LEAD FREE

Pricing Effective:  
 February 20, 2017  
 Standard Terms: NET 30  
 \$1,000 Order  
 Prepay Freight



# Arrow-Breaker® Sillcocks & Garden Valves

265LF - 365LF Series

265SWLF - 365SWLF

269LF

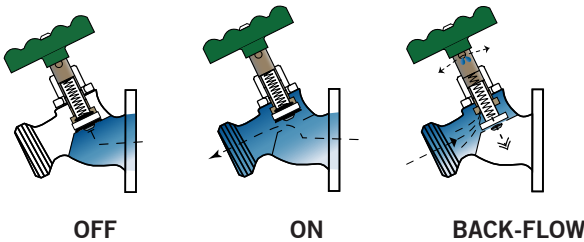
965LF



Base Model	Description	List Price	Weight (LBS)	Pack Qty	Case Qty
265LF	Arrow-Breaker® Sillcock 1/2 FIP Lead Free	\$20.70	0.656	6	36
265SWLF	Arrow-Breaker® Sillcock 1/2 Sweat Lead Free	\$20.98	0.685	6	36
269LF	Arrow-Breaker® Sillcock 1/2 PEX Lead Free	\$22.88	0.686	6	36
365LF	Arrow-Breaker® Sillcock 3/4 FIP Lead Free	\$21.74	0.686	6	36
365SWLF	Arrow-Breaker® Sillcock 3/4 Lead Free	\$23.06	0.715	6	36
965LF	Arrow-Breaker® Garden Valve Nested Threads 1/2 & 3/4 FIP Lead Free	\$21.38	0.667	6	36

## FEATURES

- Heavy duty lead-free bronze.
- NSF/ANSI 372 certified lead free, Truesdail Laboratories Inc.
- Patented Arrow-Breaker®: built-in anti-siphon back-flow preventer that protects your water supply from harmful contaminants.
- ASSE 1011 approved, IAPMO certified.
- Exclusive one piece O-ring style bonnet & green oval handle.
- 3-year limited warranty.
- Max pressure: 125 PSI.
- Max temperature: 180° F.
- High flow rate: 11-12 gallons per minute at 50 PSI.
- 965LF series features nested 1/2" & 3/4" FIP threads.



SCAN HERE TO SEE HOW THE  
 ARROW-BREAKER® TECHNOLOGY WORKS  
 Or visit <http://youtu.be/g7Z2cd4AbKw>



ASSE 1011



NSF/ANSI 372:  
 Lead Free

## Available Options

Loose Key & Less Key



# 265LKLF + \$2.90

LK: Lock-shield with key  
 LS: Lock-shield; no key

Nickel Plated Finish

# 265SATLF + \$3.48

## Repair & Replacement Parts

Replacement Stem Assembly



# PK1600 \$10.98

Replacement Arrow-Breaker® stem & bonnet assembly (1-9)

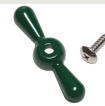
Loose Key Stem Assembly



# PK1600LK \$14.98

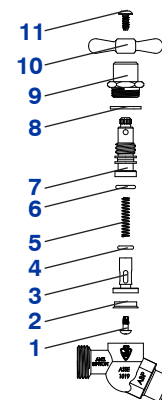
Arrow-Breaker® Loose key & lock-shield stem assembly

Replacement Oval Handle & Screw



# PK1290 \$5.62

Green Oval handle (10) & handle screw (11)



**Pricing Effective:**  
**February 20, 2017**  
 Standard Terms: NET 20  
 \$1,000 Order  
 Prepay Freight



## Log Lighter Valves

**258NC**



**259NC**



**258LLB**



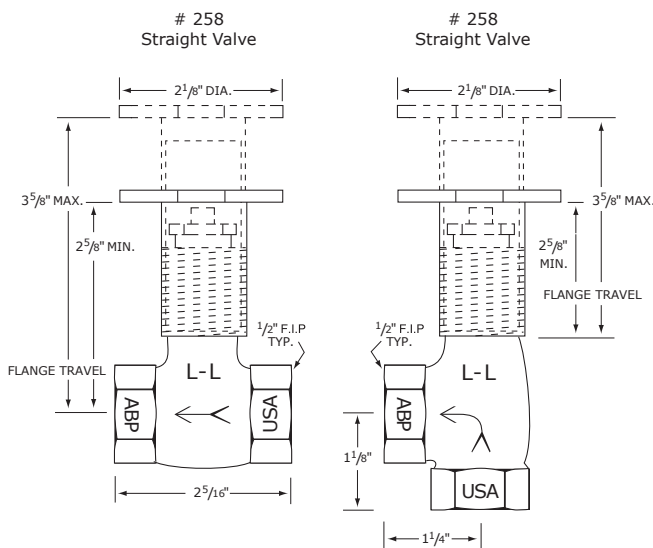
**258LPA**




Base Model	Description	List Price	Weight (LBS)	Pack Qty	Case Qty
258NC	1/2 FIP Straight Gas Log Lighter Valve Only	\$23.08	0.81	12	72
259NC	1/2 FIP Straight Gas Log Lighter Valve Only	\$23.08	0.81	12	72
258LLB	1/2 Log Lighter Bar Only	\$25.44	2.68	1	12
258-LPA	Log Lighter LP Adapter	\$16.88	1	1	12

### FEATURES

- High quality bronze construction.
- 1/2" Female iron pipe connections.
- CSA certified, class 3371-08 / 3371-88, ANSI Z21.15/CSA 9.1; IAPMO listed.
- Teflon seat washer.
- Valves are rated at 154,000 BTU per hour rating at a 1.0" water column.
- Log lighter bar has three 1/2" IPS inlets with 2 countersunk plugs.
- All valves are tested to 100 PSI.
- Log lighter keys have 5/16" square drive.



### Valve Accessories

Chrome Key & Flange	Polished Brass Key & Flange	Polished Brass Key	Log Lighter Key	12" Log Lighter Key
				
# PK1320 \$20.40	# PK1330 \$31.96	# 51PB \$10.82 # PK1340 \$13.08	# 51 \$5.76 # PK1345 \$6.86	# 52-12 \$13.74 12" LL key
Replacement key & flange for Arrowhead log lighter valves	Polished brass key & flange for Arrowhead log lighter valves	LL key - polished brass (PK- retail packaged)	Standard LL key (PK - retail packaged)	

Pricing Effective:  
February 20, 2017  
Standard Terms: NET 30  
\$1,000 Order  
Prepay Freight



# Log Lighter Valves & Kits

258 Series

259 Series

258KIT - 259KIT

258LP - 259LP

258PB - 259PB



LEAD FREE

LEAD FREE

Base Model	Description	List Price	Weight (LBS)	Pack Qty	Case Qty
258	1/2 FIP Straight Gas Log Lighter Valve w/ Chrome Flange & Key	\$37.12	1.194	6	36
258KIT	1/2 FIP Straight Gas Log Lighter Valve w/ Chrome Flange Key & LL Bar	\$67.32	3.887	1	1
258LP	1/2 FIP Straight Propane Log Lighter Valve Chrome Flange & Key	\$44.98	1.194	6	36
258LPKIT	1/2 FIP Straight Gas Log Lighter Valve w/ Chrome Flange & Key; LL Bar & LP Propane Adapter	\$75.06	3.887	1	1
258PB	1/2 FIP Straight Gas Log Lighter Valve Polished Brass Flange & Key	\$47.98	1.194	1	1
258PBKIT	1/2 FIP Straight Gas Log Lighter Valve w/ Polished Brass Flange & Key & W- LL Bar	\$77.78	3.887	1	1
259	1/2 FIP Angle Log Lighter Valve w/ Chrome Flange & Key	\$37.12	1.194	6	36
259KIT	1/2 FIP Angle Gas Log Lighter Valve w/ Chrome Flange & Key & W- LL Bar	\$67.32	3.887	1	1
259LP	1/2 FIP Angle Propane Log Lighter Valve w/ Chrome Flange & Key	\$44.98	1.194	6	36
259LPKIT	1/2 FIP Angle Gas Log Lighter Valve w/ Chrome Flange & Key; LL Bar & LP Propane Adapter	\$75.06	3.887	1	1
259PB	1/2 FIP Angle Log Lighter Valve w/ Polished Brass Flange & Key	\$47.98	1.194	1	1
259PBKIT	1/2 FIP Angle Log Lighter Valve w/ Polished Brass Flange & Key & LL Bar	\$77.78	3.887	1	1

## FEATURES

- 'KIT' models include valve, flange, key & log lighter bar.
- 'LP' models include liquid propane adapter.
- 'PB' models include polished brass flange and key.



**Pricing Effective:**  
**February 20, 2017**  
 Standard Terms: NET 30  
 \$1,000 Order  
 Prepay Freight



# Frost-Proof Wall Hydrants

## Frost-Proof Model # Identification:

**4 5 6 - 0 4 L F**

Frost-Proof Wall Hydrants  
 (first digit "4")

Hydrant Series:  
 See following pages  
 for information









**LEAD FREE**

All Frost-Proof Hydrants are  
 ANSI/NSF 372 certified by  
 IAPMO Laboratories

Hydrant Length:

Wall Thickness Available in  
 02", 04", 06", 08", 10", 12", & 14"  
 (See diagram below for more details)

### INLET CONNECTION TYPES:

<b>0</b>	Plain End for Push-Fit Coupling (470 Series Only)		1/2"
<b>1</b>	3/4" Wirsbo Uponor Style Pex		1.7"
<b>2</b>	1/2" Wirsbo Uponor Style Pex		1.6"
<b>5</b>	Dual Connections: 1/2" Female Pipe Thread ID. 3/4" Male Pipe Thread OD.		1.75"
<b>6</b>	Dual Connections 1/2" Copper Sweat ID. 1/2" Male Pipe Thread OD.		1.75"
<b>7</b>	3/4" PEX (Crimp Type)		1.4"
<b>8</b>	Dual Connections: 3/4" Copper Sweat ID. 3/4" Male Pipe Thread OD.		1.8"
<b>9</b>	1/2" PEX (Crimp Type)		1.4"

### How to Measure a Frost-Proof Stem:

- 1- Identify the model of frost-proof hydrant installed
- 2- Measure overall length of the stem assembly

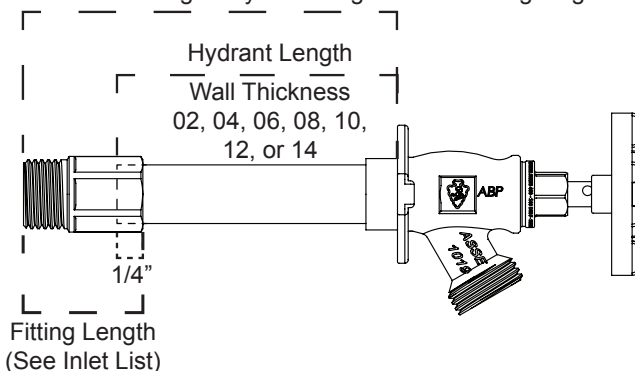


- 3- Subtract 4" & add to PK #:
 

PK2004: 8" overall length stem for  
 420 Series hydrant with 4" wall depth

### Rough-In Dimensions

Total Length: Hydrant length - 1/4" + fitting length



LEAD FREE

LEAD FREE

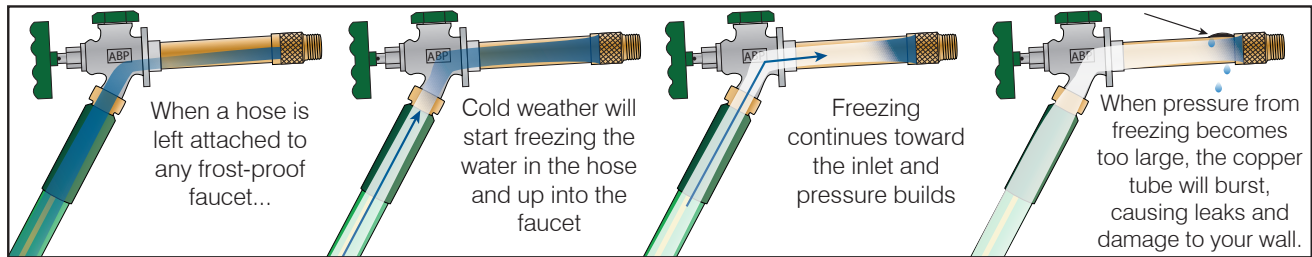
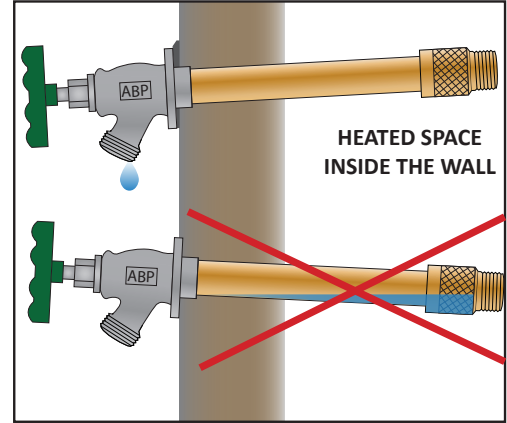


**Pricing Effective:**  
**February 20, 2017**  
Standard Terms: NET 30  
\$1,000 Order  
Prepay Freight



# Frost-Proof Installation and Use Guide:

- Frost-proof wall hydrants are designed to prevent damage from freezing water in plumbing systems. Frost-proof wall hydrants separate the water supply from the cold weather by shutting-off flow at the heated area inside wall.
- For a frost-proof wall hydrant to work properly, it must be installed at a slight downward angle toward the spout (as shown to right) so water will drain when it is shut-off. The gap spacer wedge sold with every arrowhead frost-proof hydrant should be used to ensure proper installation with a downward tilt.
- If the hydrant is installed level or at an upward angle, water will not drain properly and may freeze inside the faucet and cause the copper tube to burst.



When a hose or other restriction is left attached to the faucet (such as an irrigation timer, “y” hose splitter, or add-on back-flow preventer), water will not drain from the faucet properly. Water inside the hose will begin to freeze upward toward the back, or “seat”, of the faucet, and the pressure inside the copper tubing will exceed capacity and burst. This will cause leaks within the wall, usually after some time when the faucet is turned on next, and can cause considerable damage. Frost-proof wall hydrants are designed in such a way that this sort of damage can be avoided as long as the user ensures the faucets are angled downward and all hoses/ devices are removed so the faucets can drain.

The only cause of a burst frost-proof hydrant is water expansion from freezing inside the copper tube that was not drained properly. Properly installed valves (with downward tilt) will always drain unless a hose or other device was left attached.



Grey gap spacer included with every wall hydrant. Labeled: “REMOVE HOSE IN FREEZING WEATHER” Use to tilt hydrant downward to allow draining.

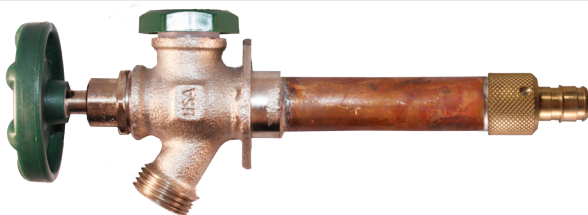
**Forgot to Remove Your Hose? Tired of Burst Pipes?**  
**Check out Arrowhead’s new 470 Freeze-Proof® Wall Hydrant**  
**with Worry-Free Burst and Back-Flow Protection.**

Pricing Effective:  
**February 20, 2017**  
 Standard Terms: NET 30  
 \$1,000 Order  
 Prepay Freight



## 420 Series Anti-Siphon Wall Hydrants

422-04QTLF



Frost-Proof  
 Anti-Siphon  
 Lead-Free  
 Quick-Turn®



LEAD FREE

LEAD FREE

Base Model	Description	Case Qty
421-xxQTLF	420 Series Anti-Siphon Wall Hydrant, 3/4" Wirsbo	24
422-xxQTLF	420 Series Anti-Siphon Wall Hydrant, 1/2" Wirsbo	24
425-xxQTLF	420 Series Anti-Siphon Wall Hydrant, 1/2" FIP & 3/4" MIP	24
426-xxQTLF	420 Series Anti-Siphon Wall Hydrant, 1/2" MIP & Sweat	24
427-xxQTLF	420 Series Anti-Siphon Wall Hydrant, 3/4" PEX	24
428-xxQTLF	420 Series Anti-Siphon Wall Hydrant, 3/4" MIP & Sweat	24
429-xxQTLF	420 Series Anti-Siphon Wall Hydrant, 1/2" PEX	24

### FEATURES

- Heavy pattern lead-free bronze: NSF/ANSI 372 certified lead free, IAPMO listed.
- Exclusive O-ring bonnet & stem design.
- Integral anti-siphon back-flow prevention: ASSE 1019-A approved, IAPMO certified.
- Includes QuickTurn® style operation: easy on/off without letting go of the handle.
- Rubber coated oval handle.
- Available in 2, 4, 6, 8, 10, 12 & 14 inch lengths (longer lengths available by special order).

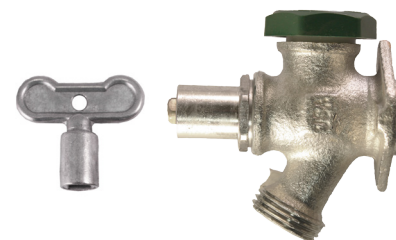
Hydrant Length (xx)	List Price
-02 Length:	\$43.96
-04 Length:	\$44.88
-06 Length:	\$45.85
-08 Length:	\$46.86
-10 Length:	\$47.83
-12 Length:	\$48.82
-14 Length:	\$50.20



ASSE 1019-A: Anti-Siphon  
 NSF/ANSI 372: Lead Free

Available Option:

**Removable Loose Key  
 Lock-Shield  
 Insert "LK": 425-04LKLF**



**Loose Key + \$2.90**  
 Lock-shield & removable loose key to prevent use without the key

**Pricing Effective:**  
**February 20, 2017**  
 Standard Terms: NET 30  
 \$1,000 Order  
 Prepay Freight



## 420 Series Repair Instructions:

### Leaking out of the weep hole during use:

- Cause: worn out O-ring on inside of check assembly. Occurs over time or if the faucet is left "ON" for long periods of time.
- Solution: faucets installed after 1999 or the faucet stem check assembly is spring-less, replace with PK2016 check assembly or full stem PK2004-PK2014.

### Leaking faucet with spring-loaded check:

- Cause: worn out parts and seals.
- Solution: replace stem assembly with a "SP" stem (PK2004SP - PK2014SP) with added 1/4" length or replace the hydrant.

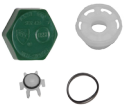






### Leaking out of the green cap air-vent:



- Cause: worn, broken or missing parts.
- Solution: remove old parts and replacing with PK1430 components.
- Follow assembly diagram.

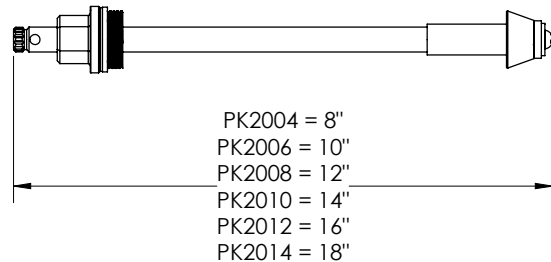
### Leaking when "OFF":

- Cause: worn washer or broken faucet seat.
- Replace the check-assembly or entire stem.
- If replacement parts do not work, contact Arrowhead Brass.

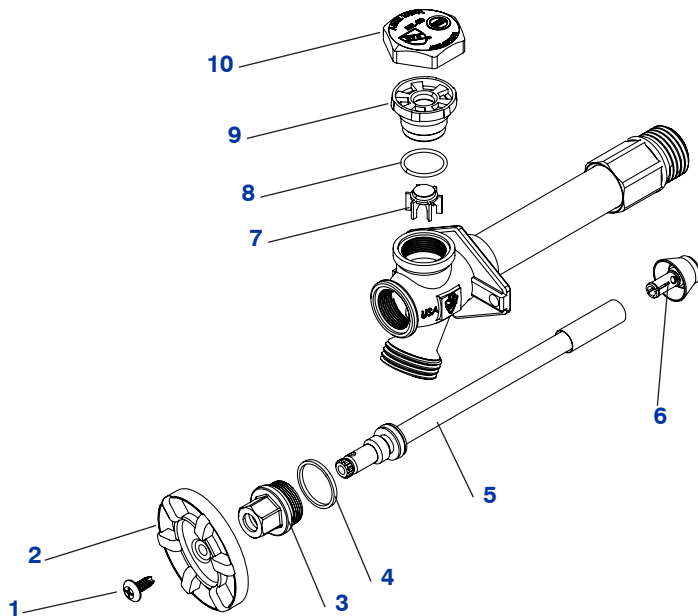
## Repair & Replacement Parts

Air-Vent Assembly	Rubber-Coated Handle & Screw	Spring-less Check Assembly	Gap-Spacer Wedge	420 Series 4" Stem Assembly	420 Series 6" Stem Assembly	420 Series 8" Stem Assembly
						
# PK1430 \$8.08	# PK1295 \$6.18	# PK2016 \$7.50	# PK1450 \$3.90	# PK2004 \$25.36	# PK2006 \$25.92	# PK2008 \$26.54
Includes green cap, housing, plunger, & O-ring (#s 7-10)	Rubber-coated green oval handle (# 2) & stainless screw (# 1)	Replacement spring-less check assembly (# 6)	Replacement gap spacer, used to tilt faucet downward	4-inch hydrant stem assembly (# 3-6) (8" total length)	6-inch hydrant stem assembly (# 3-6) (10" total length)	8-inch hydrant stem assembly (# 3-6) (12" total length)

420 Series 10" Stem Assembly	420 Series 12" Stem Assembly	420 Series 14" Stem Assembly
		
# PK2010 \$27.36	# PK2012 \$28.06	# PK2014 \$28.88
10-inch hydrant stem assembly (# 3-6) (14" total length)	12-inch hydrant stem assembly (# 3-6) (16" total length)	14-inch hydrant stem assembly (# 3-6) (18" total length)



\*For 420 series hydrants installed prior to 1999, use PK20\_\_SP stem assembly to replace old style stems that have a spring check assembly. Contact Arrowhead Brass for more details

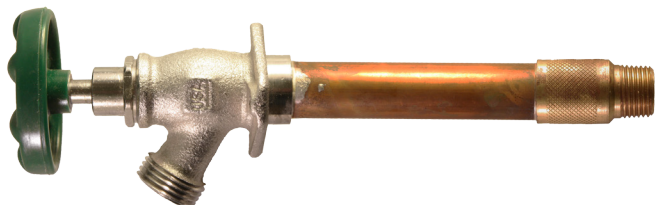


Pricing Effective:  
 February 20, 2017  
 Standard Terms: NET 30  
 \$1,000 Order  
 Prepay Freight



# 450 Series Standard Wall Hydrants

456-04LF



Frost-Proof  
 Anti-Siphon  
 Lead-Free  
 Quick-Turn®



LEAD FREE

LEAD FREE

Base Model	Description	Case Qty
451-xxLF	450 Series Standard Wall Hydrant, 3/4" Wirsbo	24
452-xxLF	450 Series Standard Wall Hydrant, 1/2" Wirsbo	24
455-xxLF	450 Series Standard Wall Hydrant, 1/2" FIP & 3/4" MIP	24
456-xxLF	450 Series Standard Wall Hydrant, 1/2" MIP & SWEAT	24
457-xxLF	450 Series Standard Wall Hydrant, 3/4" PEX	24
458-xxLF	450 Series Standard Wall Hydrant, 3/4" MIP & SWEAT	24
459-xxLF	450 Series Standard Wall Hydrant, 1/2" PEX	24

## FEATURES

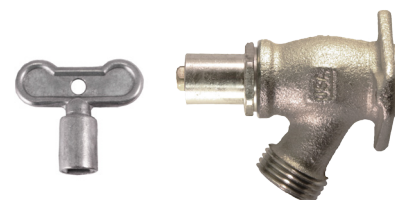
- Heavy pattern lead free bronze: NSF/ANSI 372 certified, IAPMO listed.
- Exclusive O-ring bonnet and stem design.
- Green oval handle.
- Available in 2, 4, 6, 8, 10, 12 & 14 inch lengths (longer lengths available by special order).
- Does not offer anti-siphon protection; not code approved.

Hydrant Length (xx)	List Price
-02 Length:	\$33.16
-04 Length:	\$34.08
-06 Length:	\$35.05
-08 Length:	\$36.06
-10 Length:	\$37.03
-12 Length:	\$38.02
-14 Length:	\$39.40



Available Option:

**Removable Loose Key Lock-Shield Insert "LK": 455-04LKLF**



**Loose Key + \$2.90**  
 Lock-shield & removable loose key to prevent use without the key

**Pricing Effective:**  
**February 20, 2017**  
 Standard Terms: NET 30  
 \$1,000 Order  
 Prepay Freight



450 Series Repair Instructions:

**Leaking when "OFF":**

- Cause: worn out washer or broken faucet seat.
- Replace entire stem [PK8004-PK8014]-suggested.
- Replace seat washer & screw at end of the stem [PK1000].
- If original stem is not a standard length (even lengths 4"-18" total length), special order stems are available.

**Leaking out of the packing nut or bonnet:**

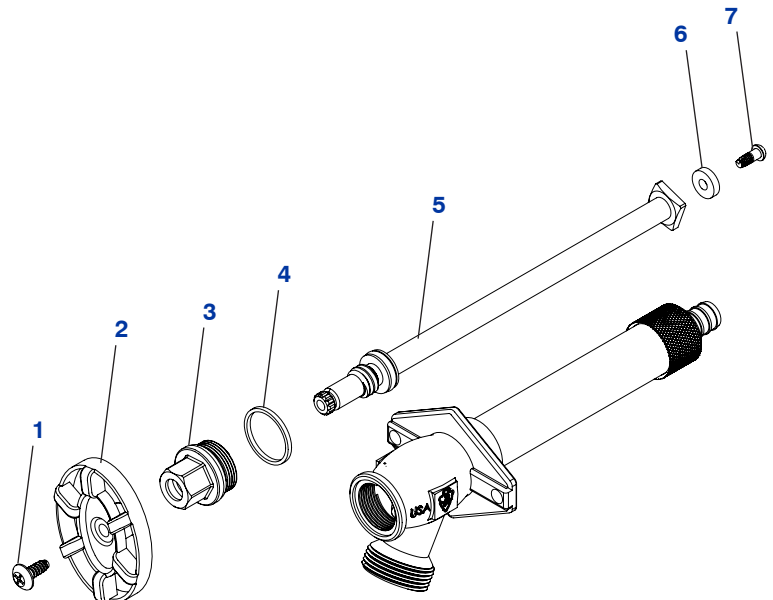
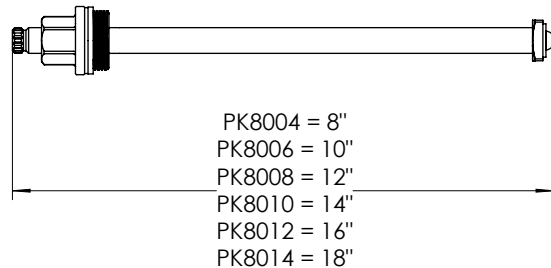
- Cause: loose bonnet or worn out seals in the bonnet.
- If the bonnet has the old 2-piece style with graphite packing, suggested to replace stem [PK8004-PK8014].
- If the bonnet is the new O-ring style, repair stem with PK1000.

LEAD FREE

Repair & Replacement Parts

Stem Rebuild Kit	Green Oval Handle & Screw	Gap-Spacer Wedge	450 Series 4" Stem Assembly	450 Series 6" Stem Assembly	450 Series 8" Stem Assembly	450 Series 10" Stem Assembly
# PK1000 \$4.30 Seat washer (# 6) & screw (7), nylon washer (4) & handle screw (1)	# PK1295 \$5.62 Green oval handle (# 2) & stainless screw (# 1)	# PK1450 \$3.90 Replacement gap spacer, used to tilt faucet downward	# PK8004 \$15.74 4-inch hydrant stem assembly (#'s 3-7) (8" total length)	# PK8006 \$16.44 6-inch hydrant stem assembly (#'s 3-7) (10" total length)	# PK8008 \$17.04 8-inch hydrant stem assembly (#'s 3-7) (12" total length)	# PK8010 \$17.84 10-inch hydrant stem assembly (#'s 3-7) (14" total length)

450 Series 12" Stem Assembly	450 Series 14" Stem Assembly
# PK8012 \$18.48 12-inch hydrant stem assembly (#'s 3-7) (16" total length)	# PK8014 \$19.30 14-inch hydrant stem assembly (#'s 3-7) (18" total length)



LEAD FREE

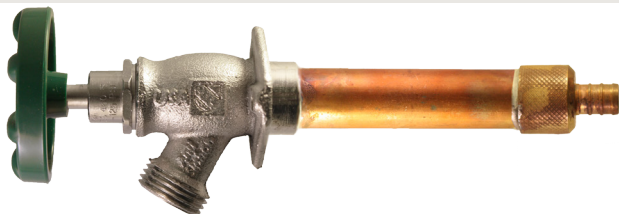


Pricing Effective:  
 February 20, 2017  
 Standard Terms: NET 30  
 \$1,000 Order  
 Prepay Freight



# 460 Series Arrow-Breaker® Wall Hydrants

469-04QTLF



Frost-Proof  
 Anti-Siphon  
 Lead-Free  
 Quick-Turn®



Base Model	Description	Case Qty
461-xxQTLF	460 Series Anti-Siphon Wall Hydrant, 3/4" Wirsbo	24
462-xxQTLF	460 Series Anti-Siphon Wall Hydrant, 1/2" Wirsbo	24
465-xxQTLF	460 Series Anti-Siphon Wall Hydrant, 1/2" FIP & 3/4" MIP	24
466-xxQTLF	460 Series Anti-Siphon Wall Hydrant, 1/2" MIP & Sweat	24
467-xxQTLF	460 Series Anti-Siphon Wall Hydrant, 3/4" PEX	24
468-xxQTLF	460 Series Anti-Siphon Wall Hydrant, 3/4" MIP & Sweat	24
469-xxQTLF	460 Series Anti-Siphon Wall Hydrant, 1/2" PEX	24

## FEATURES

- Heavy pattern lead-free bronze: NSF/ANSI 372 certified lead free, IAPMO listed.
- Patented Arrow-Breaker® integral anti-siphon back-flow prevention: ASSE 1019-A approved, IAPMO certified.
- Includes QuickTurn® style operation: easy on/off without letting go of the handle.
- Exclusive O-ring bonnet & stem design with rubber coated oval handle.
- Available in 2, 4, 6, 8, 10, 12 & 14 inch lengths (longer lengths available by special order, contact Arrowhead for details).

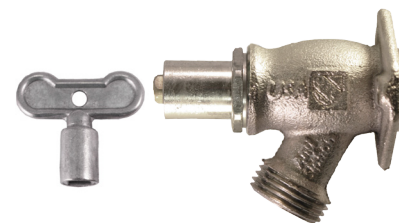
Hydrant Length (xx)	List Price
-02 Length:	\$42.76
-04 Length:	\$43.68
-06 Length:	\$44.65
-08 Length:	\$45.66
-10 Length:	\$46.63
-12 Length:	\$47.62
-14 Length:	\$49.00



ASSE 1019-A: Anti-Siphon  
 NSF/ANSI 372: Lead Free

Available Option:

**Removable Loose Key Lock-Shield Insert "LK": 465-04LKLF**



**Loose Key + \$2.90**  
 Lock-shield & removable loose key to prevent use without the key

LEAD FREE

LEAD FREE

**Pricing Effective:**  
**February 20, 2017**  
 Standard Terms: NET 30  
 \$1,000 Order  
 Prepay Freight



**460 Series Arrow-Breaker® Anti-Siphon Hydrants**

**LEAD FREE**

**LEAD FREE**

## 460 Series Repair Instructions:

### Leaking hose thread when off:

- Cause: worn out washer or broken faucet seat.
- Repair by replacing the Spring-Less Check Assembly (PK6026) or replacing the entire stem assembly (PK6004-PK6014).
- If faucet continues to leak when OFF, the faucet seat might be broken and the faucet will need to be replaced.







### Leaking out of the Packing Nut or Bonnet:

- Cause: loose bonnet or worn out seals in the bonnet.
- If tightening the bonnet does not stop leaking from the threads, replace nylon washer (in PK1000) or the entire stem (PK6004-PK6014).

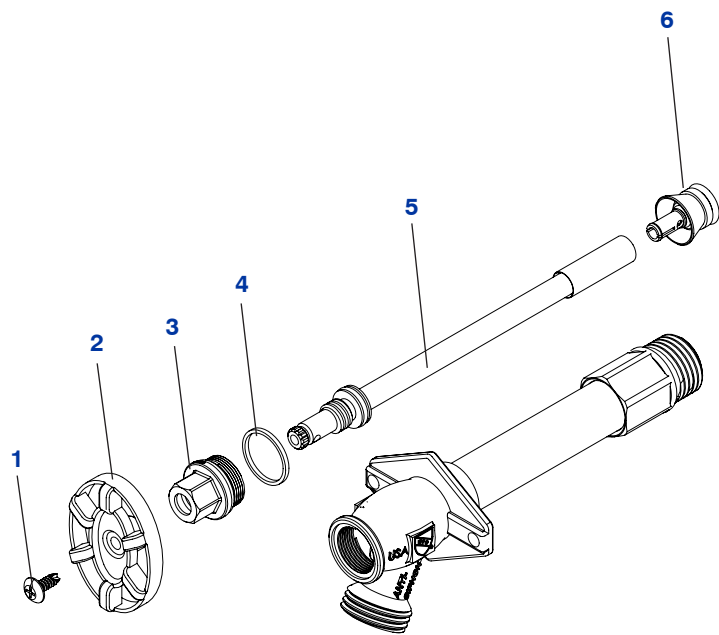
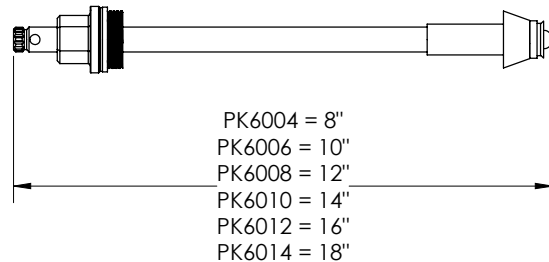
### Leaking out of the Weep Hole during use:

- Cause: worn out O-ring on the check assembly. This happens over time or if the faucet is left "ON" for long periods of time (over 12 hrs).
- Repair by replacing the Spring-Less Check Assembly (PK6026).
- If the leak still occurs, replace the entire stem assembly (PK6004-PK6014).

## Repair & Replacement Parts

Rubber-Coated Handle & Screw	Spring-less Check Assembly	Gap-Spacer Wedge	460 Series 4" Stem Assembly	460 Series 6" Stem Assembly	460 Series 8" Stem Assembly	460 Series 10" Stem Assembly
						
# PK1295 \$6.18 Rubber-coated green oval handle (# 2) & stainless screw (# 1)	# PK6026 \$7.50 Replacement spring-less check assembly (# 6)	# PK1450 \$3.90 Replacement gap spacer, used to tilt faucet downward	# PK6004 \$25.36 4-inch hydrant stem assembly (# 3-6) (8" total length)	# PK6006 \$25.92 6-inch hydrant stem assembly (# 3-6) (10" total length)	# PK6008 \$26.54 8-inch hydrant stem assembly (# 3-6) (12" total length)	# PK6010 \$27.36 10-inch hydrant stem assembly (# 3-6) (14" total length)

460 Series 12" Stem Assembly	460 Series 14" Stem Assembly
	
# PK6012 \$28.06 12-inch hydrant stem assembly (# 3-6) (16" total length)	# PK6014 \$28.88 14-inch hydrant stem assembly (# 3-6) (18" total length)

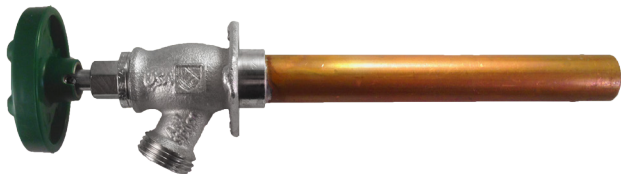


Pricing Effective:  
 February 20, 2017  
 Standard Terms: NET 30  
 \$1,000 Order  
 Prepay Freight



# 470 Series Freeze-Proof® Wall Hydrants

470-06LF



Freeze-Proof®  
 Anti-Siphon  
 Lead-Free  
 Quick-Turn®



Base Model	Description	Case Qty
470-xxLF	470 Series Freeze-Proof Wall Hydrant, Plain End for push-fit adapter (not supplied)	24
471-xxLF	470 Series Freeze-Proof Wall Hydrant, 3/4" Wirsbo	24
472-xxLF	470 Series Freeze-Proof Wall Hydrant, 1/2" Wirsbo	24
475-xxLF	470 Series Freeze-Proof Wall Hydrant, 1/2" FIP & 3/4" MIP	24
476-xxLF	470 Series Freeze-Proof Wall Hydrant, 1/2" MIP & Sweat	24
477-xxLF	470 Series Freeze-Proof Wall Hydrant, 3/4" PEX	24
478-xxLF	470 Series Freeze-Proof Wall Hydrant, 3/4" MIP & Sweat	24
479-xxLF	470 Series Freeze-Proof Wall Hydrant, 1/2" PEX	24

## FEATURES

- Heavy duty lead-free bronze construction (93% copper).
- NSF/ANSI 372 certified lead free, IAPMO listed.
- Exclusive O-ring bonnet & stem design.
- Freeze-Proof® design provides burst & anti-siphon protection at all times.
- Includes QuickTurn® easy on/off operation.
- Includes patented Arrow-Breaker® integral anti-siphon back-flow prevention (ASSE 1019-A approved, IAPMO listed).
- Rubber coated oval handle & new copper stem design.
- Available in 4, 6, 8, 10, 12 & 14 inch lengths.

Hydrant Length (xx)	List Price
-04 Length:	\$43.68
-06 Length:	\$44.65
-08 Length:	\$45.66
-10 Length:	\$46.63
-12 Length:	\$47.62
-14 Length:	\$49.00



ASSE 1019-A: Anti-Siphon  
 NSF/ANSI 372: Lead Free

LEAD FREE

LEAD FREE

**Pricing Effective:**  
**February 20, 2017**  
 Standard Terms: NET 30  
 \$1,000 Order  
 Prepay Freight












## 470 Series Repair Instructions:

### Leaking or malfunction:

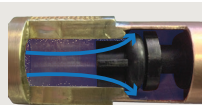
- Shut-off water to the hydrant & open it all the way.
- Loosen the bonnet with a wrench and remove stem assembly.
- With the stem removed, briefly turn water supply back on to flush the hydrant, then shut-off again.
- Inspect the stem for cracks or damage to the O-rings or other parts. The recommended repair is to replace the Freeze-Proof® check assembly (PK7026) or replace the entire stem (see instructions below to identify the stem kit needed PK7004 through PK7014).
- Reinstall stem with bonnet in the open position, close the hydrant and turn water back on to the valve.

## Repair & Replacement Parts

Rubber-Coated Handle & Screw	Freeze-Proof® Check Assembly	Gap-Spacer Wedge	470 Series 4" Stem Assembly	470 Series 6" Stem Assembly	470 Series 8" Stem Assembly	470 Series 10" Stem Assembly
						
<b># PK1297</b> <b>\$6.18</b>	<b># PK7026</b> <b>\$6.50</b>	<b># PK1450</b> <b>\$3.90</b>	<b># PK7004</b> <b>\$25.36</b>	<b># PK7006</b> <b>\$25.92</b>	<b># PK7008</b> <b>\$26.54</b>	<b># PK7010</b> <b>\$27.36</b>
Rubber-coated green oval handle (# 2) & stainless screw (# 1)	Replacement Freeze-Proof® check assembly (# 6)	Replacement gap spacer, used to tilt faucet downward	4-inch hydrant stem assembly (# 3-6) (8" total length)	6-inch hydrant stem assembly (# 3-6) (10" total length)	8-inch hydrant stem assembly (# 3-6) (12" total length)	10-inch hydrant stem assembly (# 3-6) (14" total length)
470 Series 12" Stem Assembly	470 Series 14" Stem Assembly					
						
<b># PK7012</b> <b>\$28.06</b>	<b># PK7012</b> <b>\$28.88</b>					
12-inch hydrant stem assembly (# 3-6) (16" total length)	14-inch hydrant stem assembly (# 3-6) (18" total length)					

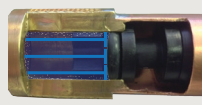
## How Freeze-Proof® Hydrants Work:

1. In the open position, water passes by the O-ring and out the faucet.



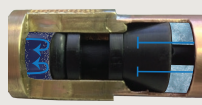
**OPEN**

2. When closed, the O-ring seals against the walls of the brass insert and stops water flow.

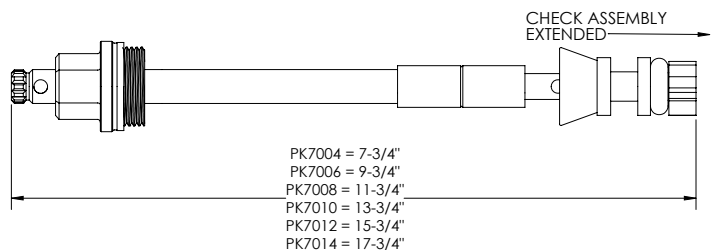
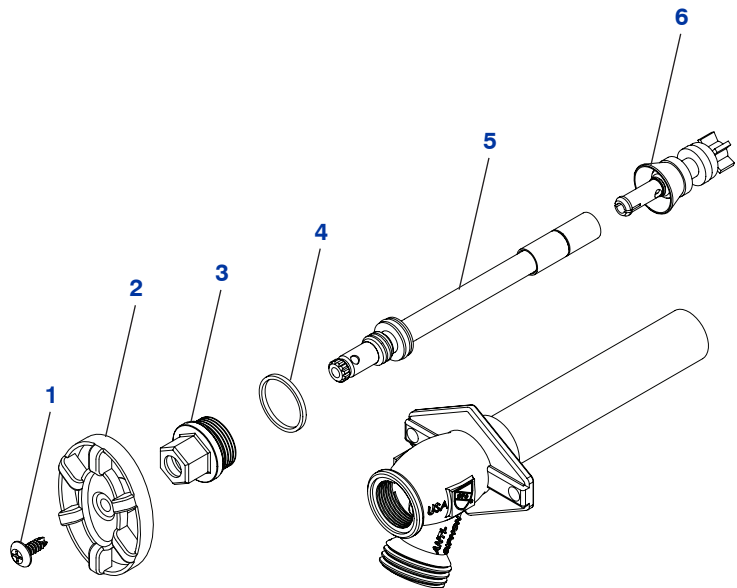


**CLOSED**

3. If water in the valve freezes, the increasing pressure from the frozen water pushes the check assembly further into valve fitting and water drains out the stem's weep hole.



**FROZEN**

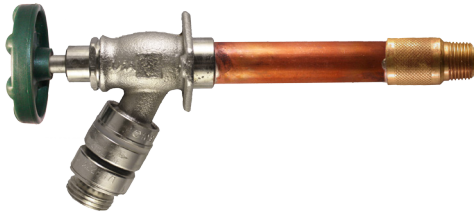


Pricing Effective:  
**February 20, 2017**  
 Standard Terms: NET 30  
 \$1,000 Order  
 Prepay Freight



# 480 Series Self-Draining A-S Wall Hydrants

486-04LF



Frost-Proof  
 Anti-Siphon  
 Self-Draining  
 Lead-Free



Base Model	Description	Case Qty
481-xxLF	480 Series Anti-Siphon Wall Hydrant, 3/4" Wirsbo	24
482-xxLF	480 Series Anti-Siphon Wall Hydrant, 1/2" Wirsbo	24
485-xxLF	480 Series Anti-Siphon Wall Hydrant, 1/2" FIP & 3/4" MIP	24
486-xxLF	480 Series Anti-Siphon Wall Hydrant, 1/2" MIP & Sweat	24
487-xxLF	480 Series Anti-Siphon Wall Hydrant, 3/4" PEX	24
488-xxLF	480 Series Anti-Siphon Wall Hydrant, 3/4" MIP & Sweat	24
489-xxLF	480 Series Anti-Siphon Wall Hydrant, 1/2" PEX	24

## FEATURES

- Heavy pattern lead-free bronze: NSF/ANSI 372 certified lead free, IAPMO listed.
- Exclusive O-ring bonnet & stem design.
- External self-draining vacuum breaker: drains hydrant upon shut-off to prevent freezing.
- ASSE 1019-A approved, IAPMO certified.
- Rubber coated oval handle.
- Available in 2, 4, 6, 8, 10, 12 & 14 inch lengths (longer lengths available by special order).

Hydrant Length (xx)	List Price
-02 Length:	\$43.58
-04 Length:	\$44.50
-06 Length:	\$45.47
-08 Length:	\$46.48
-10 Length:	\$47.45
-12 Length:	\$48.44
-14 Length:	\$49.82



ASSE 1019-A: Anti-Siphon  
 NSF/ANSI 372: Lead Free

Available Option:

**Removable Loose Key  
 Lock-Shield  
 Insert "LK": 485-04LKLF**



**Loose Key + \$2.90**  
 Lock-shield & removable loose key to prevent use without the key

LEAD FREE

LEAD FREE



**Pricing Effective:**  
**February 20, 2017**  
 Standard Terms: NET 30  
 \$1,000 Order  
 Prepay Freight



## 480 Series Repair Instructions:

### Leaking when off:

- Cause: worn out washer or broken faucet seat.
- Replace stem (PK8004 - PK8014) or rebuild stem with part kit PK1000.
- If leak persists, replace the faucet.

### Leaking Vacuum Breaker:

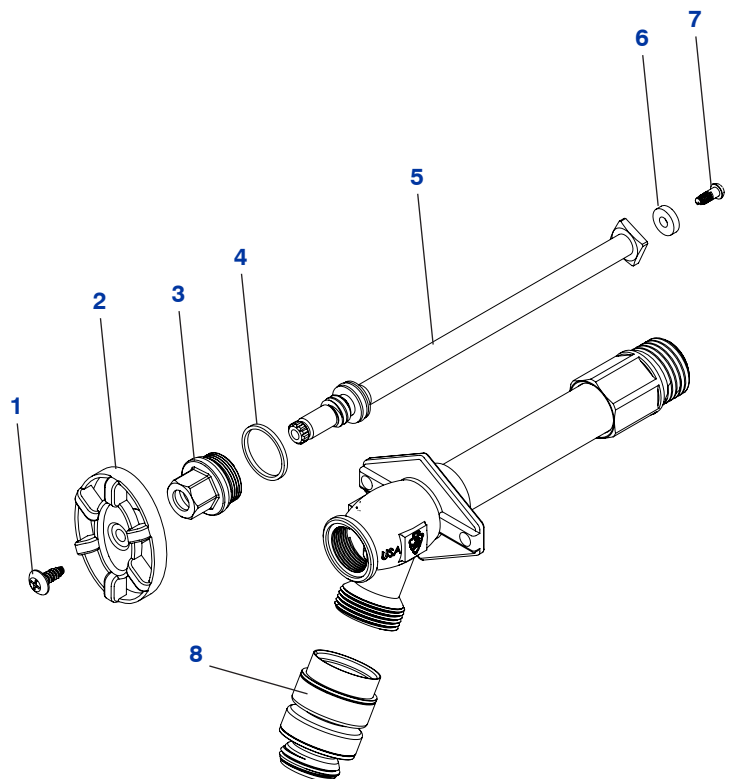
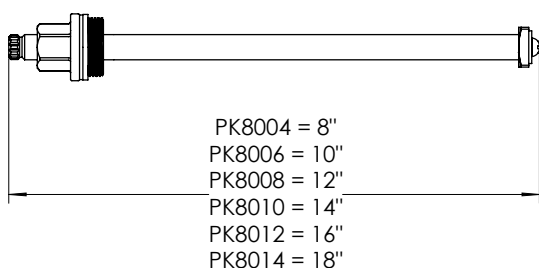
- Cause: worn out gasket and seals caused by age or when left pressurized (turned on) for long periods of time.
- Repair by replacing vacuum breaker with PK1390 or 59BFPCHR.
- Ensure all sections of vacuum breaker have been removed.
- Use liquid thread sealant when installing replacement vacuum breaker.
- Once installed, pressurize the faucet by attaching a hose and closed-nozzle to the faucet and turning on full.



## Repair & Replacement Parts

Stem Rebuild Kit	Rubber-Coated Handle & Screw	Self-Draining Vacuum Breaker	Gap-Spacer Wedge	480 Series 4" Stem Assembly	480 Series 6" Stem Assembly	480 Series 8" Stem Assembly
# PK1000 \$4.30 Seat washer (6) & screw (7), nylon washer (4) & handle screw (1)	# PK1295 \$6.18 Rubber-coated green oval handle (# 2) & stainless screw (# 1)	# PK1390 \$22.38 # 59BFPCHR \$22.38 Self-draining vacuum breaker- fine threads; PK- retail package (# 8)	# PK1450 \$3.90 Replacement gap spacer, used to tilt faucet downward	# PK8004 \$15.74 4-inch hydrant stem assembly (# 3-7) (8" total length)	# PK8006 \$16.44 6-inch hydrant stem assembly (# 3-7) (10" total length)	# PK8008 \$17.04 8-inch hydrant stem assembly (# 3-7) (12" total length)

480 Series 10" Stem Assembly	480 Series 12" Stem Assembly	480 Series 14" Stem Assembly
# PK8010 \$17.84 10-inch hydrant stem assembly (# 3-7) (14" total length)	# PK8012 \$18.48 12-inch hydrant stem assembly (# 3-7) (16" total length)	# PK8014 \$19.30 14-inch hydrant stem assembly (# 3-7) (18" total length)



Pricing Effective:  
 February 20, 2017  
 Standard Terms: NET 30  
 \$1,000 Order  
 Prepay Freight

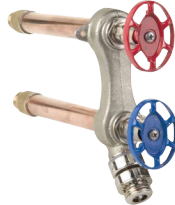


# 490 Series Self-Draining A-S Wall Hydrants

496-04LF



496-04VLF



Frost-Proof  
 Hot & Cold  
 Anti-Siphon  
 Lead-Free



Base Model	Description	Case Qty
491-xxLF	480 Series Anti-Siphon Wall Hydrant, 3/4" Wirsbo	24
492-xxLF	480 Series Anti-Siphon Wall Hydrant, 1/2" Wirsbo	24
495-xxLF	480 Series Anti-Siphon Wall Hydrant, 1/2" FIP & 3/4" MIP	24
496-xxLF	480 Series Anti-Siphon Wall Hydrant, 1/2" MIP & Sweat	24
497-xxLF	480 Series Anti-Siphon Wall Hydrant, 3/4" PEX	24
498-xxLF	480 Series Anti-Siphon Wall Hydrant, 3/4" MIP & Sweat	24
499-xxLF	480 Series Anti-Siphon Wall Hydrant, 1/2" PEX	24

## FEATURES

- Heavy pattern lead-free bronze: NSF/ANSI 372 certified lead free, IAPMO listed.
- Hot & cold mixing, with color coded red & blue handles.
- External self-draining vacuum breaker: drains hydrant upon shut-off to prevent freezing.
- ASSE 1019-A approved, IAPMO certified.
- Exclusive O-ring bonnet & stem design.
- Rubber coated oval handle.
- Dual back-flow protection with internal anti-siphon check valves to prevent mixed temperature back-flow.
- Available in 4, 6, 8, 10, 12 & 14 inch lengths (longer lengths available by special order).

Hydrant Length (xx)	List Price
-04 Length:	\$122.34
-06 Length:	\$123.31
-08 Length:	\$124.32
-10 Length:	\$125.29
-12 Length:	\$126.28
-14 Length:	\$127.66



ASSE 1019-A: Anti-Siphon  
 NSF/ANSI 372: Lead Free

Available Option:

**Removable Loose Key  
 Lock-Shield  
 Insert "LK": 495-04LKLF**

**Loose Key + \$2.90**  
 Lock-shield & removable loose key to prevent use without the key

LEAD FREE

LEAD FREE

**Pricing Effective:**  
**February 20, 2017**  
 Standard Terms: NET 30  
 \$1,000 Order  
 Prepay Freight



## 490 Series Repair Instructions:

### Leaking when off:








- Cause: worn out washer or broken faucet seat.
- Replace stem (PK9004 - PK9014 / PK9004V - PK9014V) or rebuild stem with part kit PK1000.
- If leak persists, replace the faucet.

### Leaking Vacuum Breaker:


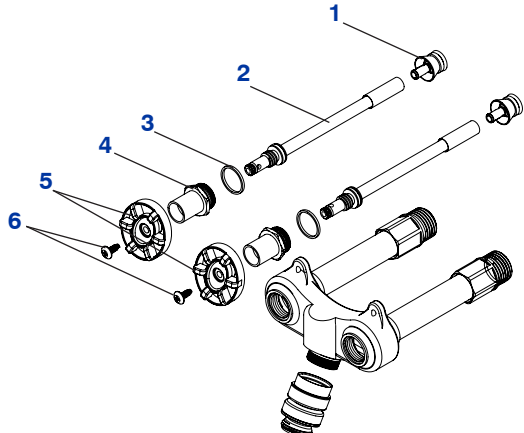
- Cause: worn out gasket and seals caused by age or when left pressurized (turned on) for long periods of time.
- Repair by replacing vacuum breaker with PK1390 or 59BFPCHR.
- Ensure all sections of vacuum breaker have been removed.
- Use liquid thread sealant when installing replacement vacuum breaker.
- Once installed, pressurize the faucet by attaching a hose and closed-nozzle to the faucet and turning on full.

LEAD FREE

## Repair & Replacement Parts




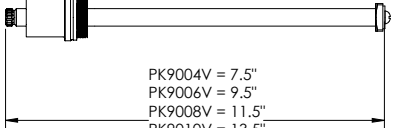
Spring-less Check Assembly	Rubber-Coated Handle & Screw	Self-Draining Vacuum Breaker	490 Series 4" Stem Assembly	490 Series 6" Stem Assembly	490 Series 8" Stem Assembly	490 Series 10" Stem Assembly
						
# PK6026 \$6.50	# PK1299 \$7.52	# PK1390 \$22.38 # 59BFPCHR \$22.38	# PK9004 \$16.82	# PK9006 \$17.32	# PK9008 \$17.68	# PK9010 \$19.96
Replacement spring-less check assembly (# 1)	Red & blue oval handles (# 5) & stainless screws (# 6)	Self-draining vacuum breaker- fine threads; PK- retail package (# 8)	4-inch hydrant stem assembly (# 3-7) (8" total length)	6-inch hydrant stem assembly (# 3-7) (10" total length)	8-inch hydrant stem assembly (# 3-7) (12" total length)	10-inch hydrant stem assembly (# 3-7) (14" total length)

490 Series 12" Stem Assembly	Exploded View Diagram	
		
# PK9012 \$20.46	<p>PK9004 = 7.25"            PK9006 = 9.25"            PK9008 = 11.25"            PK9010 = 13.25"            PK9012 = 15.25"            PK9014 = 17.25"</p>	
12-inch hydrant stem assembly (# 3-7) (16" total length)		

LEAD FREE

## Part Kits for Old Models

Stem Rebuild Kit	Old-Style Vertical Vacuum Breaker	490V Series 14" Stem Assembly	Pre-2015 Vertical Hot & Cold Hydrants
			
# PK1000 \$4.30	# PK1390V \$22.38	# PK90_V	<p>PK9004V = 7.5"            PK9006V = 9.5"            PK9008V = 11.5"            PK9010V = 13.5"            PK9012V = 15.5"            PK9014V = 17.5"</p>
Seat washer (6) & screw (7), nylon washer (4) & handle screw (1)	Self-draining vacuum breaker- fine threads; PK- retail package (# 8)	Add "V" for vertical hydrants installed before 2015	

Pricing Effective:  
**February 20, 2017**  
 Standard Terms: NET 30  
 \$1,000 Order  
 Prepay Freight



## 410 Series Double-Arrow Wall Hydrants

418-08LF



Frost-Proof  
 Anti-Siphon 1053  
 Self-Draining  
 Lead-Free



Base Model	Description	Case Qty
411-xxLF	410 Series Double-Arrow Hydrant, 3/4" Wirsbo	24
412-xxLF	410 Series Double-Check Hydrant, 1/2" Wirsbo	24
415-xxLF	410 Series Double-Check Hydrant, 1/2" FIP & 3/4" MIP	24
416-xxLF	410 Series Double-Check Hydrant, 1/2" MIP & Sweat	24
417-xxLF	410 Series Double-Check Hydrant, 3/4" PEX	24
418-xxLF	410 Series Double-Check Hydrant, 3/4" MIP & Sweat	24
419-xxLF	410 Series Double-Check Hydrant, 1/2" PEX	24

### FEATURES

- Heavy pattern lead-free bronze: NSF/ANSI 372 certified lead free, IAPMO listed.
- Commercial double-check back-flow prevention.
- Patented Arrow-Breaker® integral anti-siphon back-flow prevention.
- Includes QuickTurn® style operation: easy on/off without letting go of the handle.
- ASSE 1053 Type A, IAPMO certified
- External self-draining vacuum breaker: drains hydrant upon shut-off to prevent freezing.
- Exclusive O-ring bonnet & stem design
- Rubber coated oval handle.
- Available in 2, 4, 6, 8, 10, 12 & 14 inch lengths (longer lengths available by special order).

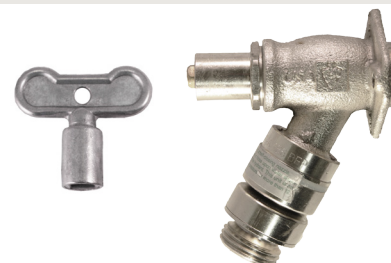
Hydrant Length (xx)	List Price
-02 Length:	\$51.62
-04 Length:	\$52.54
-06 Length:	\$53.51
-08 Length:	\$54.52
-10 Length:	\$55.49
-12 Length:	\$56.48
-14 Length:	\$57.86



ASSE 1053 Type A Device  
 NSF/ANSI 372: Lead Free

Available Option:

**Removable Loose Key  
 Lock-Shield  
 Insert "LK": 416-04LKLF**



**Loose Key + \$2.90**  
 Lock-shield & removable loose key to prevent use without the key

LEAD FREE

LEAD FREE

**Pricing Effective:**  
**February 20, 2017**  
 Standard Terms: NET 30  
 \$1,000 Order  
 Prepay Freight



## 410 Series Repair Instructions:

### Leaking when off:



- Cause: worn out washer or broken faucet seat.
- Replace springless check assembly (PK6026) or replacement stem assembly (PK6004 - PK6014).
- If leak persists, replace the faucet.

### Leaking Vacuum Breaker:

- Cause: worn out gasket and seals caused by age or when left pressurized (turned on) for long periods of time.
- Repair by replacing vacuum breaker with PK1391.
- Ensure all sections of vacuum breaker have been removed.
- Use liquid thread sealant when installing replacement vacuum breaker.
- Once installed, pressurize the faucet by attaching a hose and closed-nozzle to the faucet and turning on full.




## Repair & Replacement Parts

<b>Spring-less Check Assembly</b>  <b># PK6026 \$6.50</b> Replacement spring-less check assembly (# 1)	<b>Rubber-Coated Handle &amp; Screw</b>  <b># PK1295 \$6.18</b> Rubber-coated green oval handle (# 5) & stainless screw (# 6)	<b>1053 Self-Draining Vacuum Breaker</b>  <b># PK1391 \$22.38</b> 1053 Self-draining vacuum breaker-fine threads (# 7)	<b>Gap-Spacer Wedge</b>  <b># PK1450 \$3.90</b> Replacement gap spacer, used to tilt faucet downward	<b>460 Series 4" Stem Assembly</b>  <b># PK6004 \$25.36</b> 4-inch hydrant stem assembly (# 1-4) (8" total length)	<b>460 Series 6" Stem Assembly</b>  <b># PK6006 \$25.92</b> 6-inch hydrant stem assembly (# 1-4) (10" total length)	<b>460 Series 8" Stem Assembly</b>  <b># PK6008 \$26.54</b> 8-inch hydrant stem assembly (# 1-4) (12" total length)
<b>460 Series 10" Stem Assembly</b>  <b># PK6010 \$27.36</b> 10-inch hydrant stem assembly (# 1-4) (14" total length)	<b>460 Series 12" Stem Assembly</b>  <b># PK6012 \$28.06</b> 12-inch hydrant stem assembly (# 1-4) (16" total length)	<b>460 Series 14" Stem Assembly</b>  <b># PK6014 \$28.88</b> 14-inch hydrant stem assembly (# 1-4) (18" total length)				

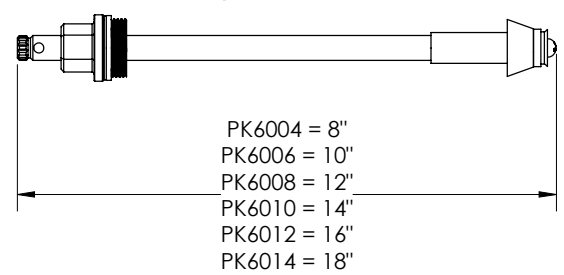
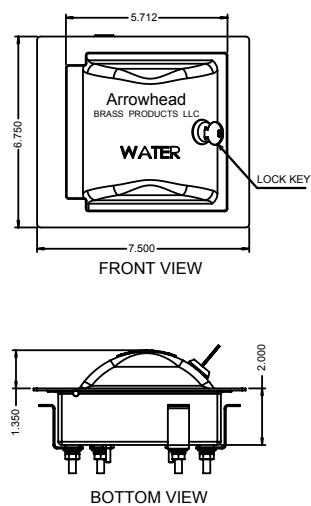


## Also Available

**Stainless Steel Commercial Hydrant Wall Box**



**AC410-BOX \$250.00**  
 Stainless steel locking commercial hydrant box- for loose key hydrants; includes two box keys





**Pricing Effective:**  
**February 20, 2017**  
 Standard Terms: NET 30  
 \$1,000 Order  
 Prepay Freight



# Vacuum Breakers

**58ABP**



**58ABPCHR**



**58BFP - PK1360**



**58BFPCHR - PK1370**



Base Model	Description	List Price	Weight (LBS)	Pack Qty	Case Qty
58ABP	Vacuum Breaker- 3/4" Hose Thread	\$11.18	0.204	20	72
58ABPCHR	Vacuum Breaker- 3/4" Hose Thread- Chrome Plated	\$14.74	0.204	20	72
58BFP	Vacuum Breaker- 3/4" Fine Thread	\$11.18	0.204	20	72
PK1360	Vacuum Breaker- 3/4" Fine Thread (Clamshell)	\$11.40	0.204	12	72
58BFPCHR	Vacuum Breaker- 3/4" Fine Thread- Chrome Plated	\$14.74	0.204	20	72
PK1370	Vacuum Breaker- 3/4" Fine Thread Chrome Plated - (Clamshell)	\$14.94	0.204	12	72

## FEATURES

- Lead free back-flow preventers: protect your drinking water from harmful contaminates.
- Hose thread (ABP) & fine thread (BFP) models.
- ASSE 1011 approved; IAPMO listed.
- NSF/ANSI 372 certified lead free, Truesdail Laboratories Inc.
- Individually boxed or in "PK" clamshell.
- Imported, made in China.



ASSE 1011



NSF/ANSI 372:  
Lead Free

LEAD FREE

LEAD FREE

Pricing Effective:  
 February 20, 2017  
 Standard Terms: NET 30  
 \$1,000 Order  
 Prepay Freight



# Self-Draining Vacuum Breakers

59ABP



59ABPCHR



59BFP - PK1380



58BFPCHR - PK1390



LEAD FREE

LEAD FREE

Self-Draining Vacuum Breakers

Base Model	Description	List Price	Weight (LBS)	Pack Qty	Case Qty
59ABP	SD Vacuum Breaker 3/4" Hose Thread	\$22.38	0.260	12	72
PK1400	SD Vacuum Breaker 3/4" Hose Thread (Clamshell)	\$22.38	0.27	12	72
59ABPCHR	SD Vacuum Breaker 3/4" Hose Thread Chrome Plated	\$22.38	0.260	12	72
PK1395	SD Vacuum Breaker 3/4" Hose Thread Chrome Plated (Clamshell)	\$22.38	0.27	12	72
59BFP	SD Vacuum Breaker 3/4" Fine Thread	\$22.38	0.260	12	72
PK1380	SD Vacuum Breaker 3/4" Fine Thread- (Clamshell)	\$22.38	0.27	12	72
59BFPCHR	SD Vacuum Breaker 3/4" Fine Thread- Chrome Plated	\$22.38	0.260	12	72
PK1390	SD Vacuum Breaker 3/4" Fine Thread- Chrome Plated (Clamshell)	\$22.38	0.27	12	72
PK1390V	SD Vacuum Breaker Chrome Plated- Male inlet for 490 Vertical series	\$22.38	0.260	12	72
PK1391	ASSE 1053 SD Vacuum Breaker- Fine thread for 410 Commercial Series	\$22.38	0.27	12	72
59RVB	Replacement Lower section of 59 series Self-Draining Vacuum Breaker- Chrome Plated	\$22.38	0.21	12	72

## FEATURES

- Lead free brass self-draining vacuum breaker.
- Allows faucet to drain upon shut-off to prevent freezing.
- Includes set screw to prevent device removal.
- Fine thread (BFP) inlet used to connect to Arrowhead Brass valves with fine threaded connections.
- ASSE 1019 approved, IAPMO certified.
- Individually boxed or in "PK" clamshell.
- Imported, made in China.



ASSE 1019-A



NSF/ANSI 372:  
Lead Free

Pricing Effective:  
**February 20, 2017**  
 Standard Terms: NET 30  
 \$1,000 Order  
 Prepay Freight



# Hose Bib Lock, Shower & Drain Adapters

PK-HBL



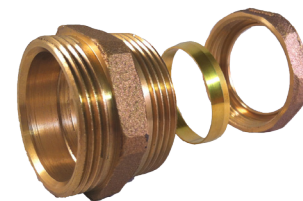
55CC



56CC



600-1 BNB



Base Model	Description	List Price	Weight (LBS)	Pack Qty	Case Qty
PK-HBL	Hose Bib Lock	\$19.96	0.35	12	24
55CC	1/2" Sweat x 1" MIP-Straight Shower Head Adapter	\$12.66	0.324	18	108
56CC	1/2" Sweat x 1" MIP-Angle Shower Head Adapter	\$12.08	0.324	18	108
600-1 BNB	1-1/2" MIP x 1-1/2" Drainage Adapter	\$12.94	0.486	12	72
600-1A BNB	1-1/2" MIP x 1-1/2" with stop Drainage Adapter	\$13.80	0.486	12	72
602-1 BNB	1-1/2" FIP x 1-1/2" Drainage Adapter	\$14.02	0.486	12	72
602-1A BNB	1-1/2" FIP x 1-1/2" with stop Drainage Adapter	\$15.10	0.486	12	72

## PK-HBL FEATURES

- Protect your hose bib from unwanted use.
- Sold in retail packaging.
- For use with any pad-lock (not included).
- Imported, made in China.

## SHOWER ADAPTER FEATURES

- Brass adapter with 2 nylon nuts.
- Straight or angle configuration.
- 1/2" Sweat x 1" MIP thread.
- Imported, made in China.

## DRAINAGE CONNECTION FEATURES

- Brass construction with brass nut & ferrule.
- Available with or without stop.
- 1-1/2" connections.
- Imported, made in China.

Pricing Effective:  
**February 20, 2017**  
 Standard Terms: NET 30  
 \$1,000 Order  
 Prepay Freight



## Part Kits: Replacement Handles



Base Model	Description	List Price	Pack Qty	Case Qty
PK1250	Part Kit: Replacement Green Wheel Handle (12 pt) & Screw	\$5.10	12	72
PK1260	Part Kit: Replacement Burnished Tee Handle (12 pt) & Screw	\$4.48	12	72
PK1270	Part Kit: Replacement Green Tee Handle (12 pt) & Screw	\$4.70	12	72
PK1280	Part Kit: Replacement Chrome Tee Handle (12 pt) & Screw	\$8.08	12	72
PK1290	Part Kit: Replacement Green Oval Handle (12 pt) & Screw	\$5.62	12	72
PK1295	Part Kit: Replacement Rubberized Green Oval Handle (12 pt) & Screw	\$6.18	12	72
PK1297	Part Kit: Replacement 470 Series Green Oval Handle (12 pt) & Screw	\$6.18	12	72
PK1299	Part Kit: Red & Blue Oval handles (12 pt) & Screws for 490 Series	\$7.52	12	72
PK1300	Part Kit: Replacement Removable Loose Key	\$6.10	12	72

### FEATURES

- All handles have a 12-point spline broach and are completely interchangeable, (excluding the loose key- PK1300 & Freeze-Proof® 470 series handle- PK1297).
- All handles are made out of die-cast aluminum.
- Kits include our self-tapping stainless steel screw.
- Sold in clamshell package.
- Bulk handles & screws available by special order, contact Arrowhead for details.
- Part kits are assembled in Los Angeles, CA, using domestic and some foreign components.

**Pricing Effective:**  
**February 20, 2017**  
 Standard Terms: NET 30  
 \$1,000 Order  
 Prepay Freight



## Part Kits: Hose Bib Repair



Base Model	Description	List Price	Pack Qty	Case Qty
PK1000	Stem Rebuild Kit; seat washer, screw, nylon washers & handle screw	\$4.30	12	72
PK1100	Replacement Hose Bib Stem Assembly	\$9.36	12	72
PK1110	Part Kit: Replacement Hose Bib Stem Assembly, Nickel Plated	\$10.92	12	72
PK1130	Packing Nut & 2-Piece Stem for Old Style Garden Valve (930LF & 980LF)	\$10.92	12	72
PK1135	Loose Key Stem Assembly for old style 900 Garden valves	\$13.40	12	72
PK1140	Replacement O-ring Stem & Bonnet Assembly for 925LF & 975LF Series	\$10.92	12	72
PK1150	Replacement Loose Key Hose Bib Stem Assembly	\$13.38	12	72
PK1155	Replacement Loose Key Hose Bib Stem Assembly, Nickel Plated	\$13.38	12	72
PK1170	1/2" Copper Compression Kit- nickel plated- for 221CCLF	\$6.54	12	72
PK1180	1/2" Copper Compression Kit- For 254CCLF / 264CCLF / 221CCRBLF	\$6.22	12	72
PK1200	Hose Attachment & Plug for 248LF Washing Machine Valves	\$11.50	12	72
PK1240	Brass Inlet-Base Nut for 2-piece Garden Valves (1")	\$10.30	12	72
PK1600	Replacement Arrow-Breaker® Stem Assembly for 260, 360 & 965 Series	\$10.98	12	72
PK-QTASSY	Part Kit: Quick-Turn® Assembly (fits all standard valves)	\$9.70	12	72

### FEATURES

- Low lead brass components.
- Stainless steel screws.
- Long-lasting EPDM washers and O-rings.
- Bulk components available, please contact Arrowhead for details.
- Part kits are assembled in Los Angeles, CA, using domestic and some foreign components.



Pricing Effective:  
**February 20, 2017**  
 Standard Terms: NET 30  
 \$1,000 Order  
 Prepay Freight



# Part Kits: Frost-Proof Hydrant Repair

PK2004

PK6004

PK7004

PK8004

PK9004



PK1000

PK2016

PK6026

PK7026

PK1430



Base Model	Description	List Price by size:						Pack Qty	Case Qty
		04	06	08	10	12	14		
PK20__	420 Series QuickTurn® Style Stem Kit	\$25.36	\$25.92	\$26.54	\$27.36	\$28.06	\$28.88	6	12
PK60__	460 Series QuickTurn® Style Stem Kit	\$25.36	\$25.92	\$26.54	\$27.36	\$28.06	\$28.88	6	12
PK70__	470 Series QuickTurn® Style Stem Kit	\$25.36	\$25.92	\$26.54	\$27.36	\$28.06	\$28.88	6	12
PK80__	480 & 450 Series (multi-turn) Stem Kit	\$15.74	\$16.44	\$17.04	\$17.84	\$18.48	\$19.30	6	12
PK90__	490 Series Quickturn® Style Stem Kit	\$16.82	\$17.32	\$17.68	\$19.96	\$20.46	\$20.98	6	12
Base Model	Description	List Price	Pack Qty	Case Qty					
PK1000	Part Kit: Stem Rebuild Parts for 450 or 480 Series Frost-Proof Wall Hydrants	\$4.30	12	72					
PK2016	Part Kit: Replacement 420 Series Anti-Siphon Check Assembly	\$7.50	12	72					
PK6026	Part Kit: Replacement 460 Series Anti-Siphon Check Assembly	\$6.50	12	72					
PK7026	Part Kit: Replacement 470 Series Anti-Siphon Check & Freeze-Proof® Assembly	\$6.50	12	72					
PK1430	Part Kit: Replacement Air-Vent Assembly	\$8.08	12	72					
PK1390	Part Kit: Fine Thread Vacuum Breaker for 480 & 490 Horizontal Series	\$22.38	12	72					
PK1390V	Part Kit: Fine Thread Vacuum Breaker for 490 Vertical Series	\$22.38	12	72					
PK1391	Part Kit: Fine Thread Vacuum Breaker for 410 Commercial Hydrant Series	\$22.38	12	72					

## Available Options

Loose Key



# PK20\_LK + \$2.90

LK: Lock-shield stem assembly

## FEATURES

- Low lead brass components.
- Stainless steel screws.
- Long-lasting EPDM washers and O-rings.
- Bulk components available, please contact Arrowhead for details.
- Part kits are assembled in Los Angeles, CA, using domestic and some foreign components.



# 2017 Product Catalog

## Effective February 20th, 2017

### TERMS OF SALE

TERMS:	Net 30 days after invoice date. All invoices mature from invoice date, not from receipt of invoice or material.
F.O.B.:	All sales are F.O.B. Factory. Will-calls not picked up after 5-days from notification will be shipped by common carrier under normal freight terms.
FREIGHT:	Prepaid to one location within the continental United States (48 contiguous states) on Net Invoice over \$1,000. All other shipments are shipped freight collect.
CREDIT:	Credit and eligibility for distributor prices must be established prior to initial order. Shipments will be held on accounts with unsatisfactory payment status. Past due accounts are subject to a monthly service charge.
PRICES:	Prices are subject to change without notice.
SHORTAGE:	Factory must be notified within 5 days from receipt of goods or shipment will be considered correct. No debits will be accepted until the factory determines final disposition.
PRODUCT DESIGN:	Manufacturer reserves the right to redesign, alter, or modify its product without incurring liability for customer inventory and future repair problems.
DEFECTIVE RETURNS	Written Return Goods Authorization (RGA) must be obtained prior to returning any defective material. Freight must be prepaid by customer with proof of purchase or invoice number. Freight will be credited on warranty items only. Parts returned without proof of purchase will be credited at Company's discretion.
OVERSTOCK:	Written factory authorization must be obtained prior to any returns. A 30% restocking charge will be deducted from returned goods. All products are subject to inspection and, if found unsellable, will be discarded or returned at customers request and cost.

#### LIMITED WARRANTY

Arrowhead Brass & Plumbing, LLC warrants this product to be free from defects in material or workmanship, under normal use and service, for a period of three years from date of purchase by the original buyer (the "Warranty Period"). Arrowhead Brass & Plumbing, LLC promises to replace or repair any part of this product that proves to be defective in material or workmanship during the warranty period. Company's liability is solely limited to original purchase price of the parts or products and no payment will be made for consequential or incidental costs or damages that may have been caused by part or product failure. Buyer's remedies are limited to return of the products and either repayment of the original purchase price or repair and/or replacement of nonconforming parts or products. Products alleged to be defective must be returned to Company in a timely manner for inspection before any remedy may be applied. The decision on how to remedy parts or products found to be defective will be made at the sole discretion of Company. In no event shall Arrowhead Brass & Plumbing, LLC be liable for incidental or consequential damages, for damages resulting from improper installation, improper repair, or for damages caused by neglect, abuse or alteration. All implied warranties including any implied warranty of merchantability or fitness for any particular purpose are limited to a period of three years from the date of purchase. No person is authorized to change, add to, or create any warranty or obligation other than that set for herein. To obtain warranty service, contact your local dealer and/or contractor from whom you purchased this product. There are no warranties, express or implied, of the merchantability or fitness for a particular purpose, except as expressly described herein.

