

PRODUCT SPECIFICATIONS

e-dock Ledge. Overall dimensions are 2-7/8" x 3-1/2" x 3-11/16".
 Made of Stainless Steel

- **MAGNETIC SINK LEDGE:** Ledge adheres to the sidewalls of stainless steel, porcelain or cast iron sinks to hold soap or dish brush and keep sink tidy.
- **STAINLESS STEEL CONSTRUCTION:** Constructed of stainless steel and designed to blend in beautifully with your stainless steel sink bowl.
- **REQUIRES:** Use of ledge requires LKSM17, Elkay 17" backing strip. Easy peel and stick installation of backing strip.
- **INCLUDES:** Strong, removable magnet to conveniently place the ledge where you want within the sink.
- **DISHWASHER SAFE:** Ledge is dishwasher safe; remove magnet before washing.
- **COORDINATING ACCESSORIES:** Checkout other Elkay magnetic sink accessories, including a hook for dish clothes and a sponge holder.

Warning: This product contains magnets. Keep away from credit cards, computer hard drives, magnetic I.D. cards, and other magnetic media. Magnets may interfere with medical devices such as pacemakers. Consult your physician before use. Pinch hazard - magnets can jump out of your hands and snap together from a surprising distance before you realize what's happening.

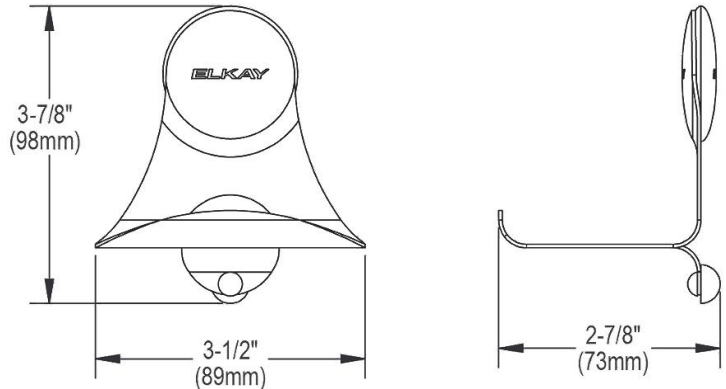
Material:	Stainless Steel
Gauge:	20
Dimensions:	2-7/8" x 3-1/2" x 3-11/16"

Special Note: Includes magnet (LKEKMAGNET)



AMERICAN PRIDE. A LIFETIME TRADITION.
 Like your family, the Elkay family has values and traditions that endure. For almost a century, Elkay has been a family-owned and operated company, providing thousands of jobs that support our families and communities.

[Clean and Care Manual \(PDF\)](#)
[Clean and Care Manual \(PDF\)](#)
[Warranty \(PDF\)](#)



PART: _____ QTY: _____

PROJECT: _____

CONTACT: _____

DATE: _____

NOTES: _____

APPROVAL: _____

In keeping with our policy of continuing product improvement, Elkay reserves the right to change product specifications without notice. Please visit elkay.com for the most current version of Elkay product specification sheets. This specification describes an Elkay product with design, quality, and functional benefits to the user. When making a comparison of other producers' offerings, be certain these features are not overlooked.