

## SUBMITTAL SHEET

JOB NAME	ITEM TAG
JOB LOCATION	PART NUMBER
CONTRACTOR	DATE
ENGINEER APPROVAL	DATE

# CPVC BALL VALVE WITH DRAIN

## S-606

Full port design  
Removable Waste Cap Allows Line Drainage  
CTS socket end connections  
Teflon Seats & EPDM Stem O-Ring  
Manufactured Using 100% Virgin Resins

### Working Pressures, Non-Shock (PSI)

Saturated Steam: Not recommended for steam  
Cold Water, Oil, Gas: 150 psi @ 73° F  
Maximum Service Temperature: 180° F

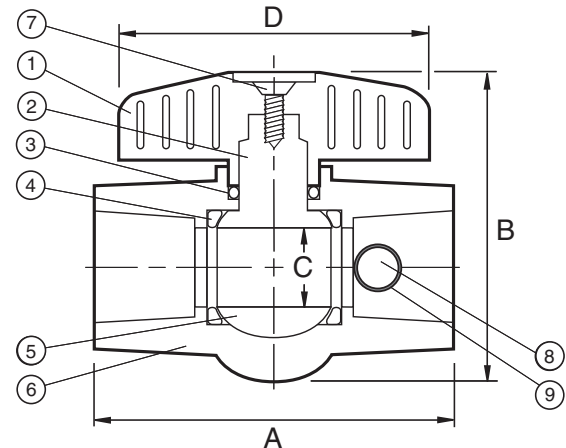
NSF Approved

Manufactured in an  
ISO 9002 accredited  
facility



### MATERIAL SPECIFICATION

PART	MATERIAL	
1 Handle	ABS	Impact Grade
2 Stem	CPVC	ASTM D1784, Class 23447
3 Stem O-Ring	EPDM	
4 Seats	PTFE	Dupont Teflon
5 Ball	CPVC	ASTM D1784, Class 23447
6 Body	CPVC	ASTM D1784, Class 23447
7 Handle Retaining Screw	Zinc Plated Steel	
8 Waste cap	CPVC	ASTM D1784, Class 23447
9 Cap O-Ring	EPDM	



### DIMENSIONS

Size	A	B	C	D
1/2"	2.69	2.00	0.50	2.38
3/4"	3.25	2.50	0.75	2.81
1"	3.75	3.88	1.00	3.50

**S-606**  
Cut Away