

BrassCraft®

Water Supplies

Innovative solutions delivered.
Better engineering, better selection, better results

THIS IS OUR CRAFT.™

WATER SUPPLIES

GAS PRODUCTS

WATER HEATER CONNECTORS

FITTINGS

REPAIR PARTS



BrassCraft® products have always been designed with the professional plumber in mind. Our products are trusted by the professionals who rely on us to get the job done right the first time. We stand behind our products because we understand reputation and reliability are the only things that matter when the job is finished. For the everyday, hard-working craftsman seeking reliability, BrassCraft is the professional's choice.



WATER SUPPLIES

An invaluable, one-stop resource for plumbing professionals.

- Supply Stops
- Water Connectors
- Supply Kits
- Risers
- Fittings
- Special Finish

GAS APPLIANCE & WATER HEATER CONNECTOR

A complete source for BrassCraft stainless steel gas connectors.

- Gas Connectors
- Water Heater Connectors
- Gas Valves
- Excess Flow Valves
- Tankless Service Valves
- Installation Kits

BRASS FITTINGS

A comprehensive catalog featuring a full line of reliable, easy-to-install fittings and products.

- Flare
- Compression
- CPVC
- Iron Pipe
- Hose Barb
- Garden Hose
- Drain/Shut-off Cocks
- Needle & Humidifier Valves

WATER SUPPLIES

Table of Contents



1/4 Turn Supply Stops.....	7-19	Installation Kits	54-55
Multi-Turn Supply Stops.....	20-27	Water Heater Connectors	56-61
Dual Outlet Supply Stops	28-30	Brass Fittings.....	62-68
Dual Outlet, Dual Shut-Off Supply Stops....	31-32	Waste Connectors.....	69-71
Needle & Humidifier Valves	33-34	Component Parts	72-74
Water Supply Connectors.....	35-45	Water Supply Accessories.....	75
Supply Kits	46-52	Specifications	76-88
Water Connectors	53	Index	89-94

BrassCraft®

American-Made Quality

Founded in 1946 by Robert Zell in Detroit, Michigan, Brasscraft Manufacturing Company innovated and perfected the one-piece water supply valve and the flexible water supply tube. Today, these products have become the industry standard for residential and commercial plumbing projects. Brasscraft has headquarters and manufacturing facilities in the U.S. We continue to remain competitive through major investments in our manufacturing facilities and by employing American workers.



State-of-the-Art Engineering and Manufacturing

In the competitive environment of manufacturing, we know that we must meet your specifications for cost and quality. Everything we make is engineered for efficient equipment utilization and quality checked to exacting standards. This commitment to quality parts, manufactured to the highest standards in tolerance and finish, has earned us our reputation for excellence.



Compliant Solutions for the 2014 Lead Law



Products marked with this Low-Lead icon comply with the national low lead product materials requirements set for in the Federal Public Law 111-380 which allows the product to contain no more than 0.25% lead. The law virtually eliminates the lead content of pipes pipe fittings, plumbing fittings and fixtures intended to convey water anticipated to be used for human consumption (drinking and cooking).



The Latest Technology

When it comes to technology, Brasscraft Manufacturing Co. has consistently led the industry. We understand the benefits of electronic commerce, and are constantly striving to implement the latest technologies to serve you better.



EDI System

Saves time and ensures order accuracy by electronic order submission through our EDI (Electronic Data Interchange) system.

SureCount™ Verification

Our SureCount™ shipping verification system improves efficiency in the distribution stream and reduces your receiving costs. Using state-of-the-art bar code technology, we verify outbound shipments to eliminate the need to double-check the shipment, saving you time and money.

ROA Interface

Brasscraft's exclusive Remote Order Access system enables you to:

- Perform order entry and confirmation
- Track shipments
- Check order status and ship dates
- On-line order status
- Access invoices and packing slips
- Print packing lists

Interactive Web

The website has been designed with the professional plumber in mind. It provides a user-friendly experience with easy navigation and functionality throughout, allowing access to detailed product information and resources (videos, brochures, etc.), with the option to share information.

The website is a responsive design, optimized for viewing on any device or screen size to fit a growing mobile audience. It provides quick and intuitive access to BrassCraft's versatile product line, as well as extensive product resources. The simplified site navigation and enhanced search capability make it quick and easy for the visitor to find the appropriate product or application information. A top feature of the site is the "Supply List" functionality, which allows visitors to easily add products to a wish list that they can email, print or download.

The Professional's Choice®

When it comes to customized products to meet code or job requirements, BrassCraft® offers the widest range of stop variations including metal stems, lock shields, stuffing boxes, and handle options. So when you need water supply products for any project, small or large, specify the brand that professionals worldwide have trusted for more than 70 years – BrassCraft.



The Best Service in the Industry

What good are the best products in the industry without the best service? We match our high manufacturing standards with an equally high standard for customer service. When you call Brasscraft Mfg. Co. you're our number one priority. Our sales and service team is ready to answer your questions and fill your orders promptly and courteously.



www.brasscraft.com

BrassCraft®

Terms and Abbreviations

The following list of terms and abbreviations are used throughout this catalog. For your convenience, we have included a brief definition or explanation for each of these terms. Thank you for choosing the best. Thank you for choosing BrassCraft®!



Fig. 1
Bell Escutcheon



Fig. 2
Faucet Riser

Comp: Compression.

CPVC: Chlorinated Polyvinyl Chloride, a plastic used in plumbing systems.

Escutcheon: Wall flange, or trim. (Fig. 1)

FIP: Female Iron Pipe.

IAPMO: International Association of Plumbing & Mechanical Officials.

ID: Inside Diameter.

IPS: Iron Pipe Size.

MIP: Male Iron Pipe.

Nom: Nominal measurement is 1/8" less than OD of the tube.

NSF: National Sanitation Foundation.

OD: Outside Diameter.

PEX: Cross-linked Polyethylene, a plastic used in plumbing systems.

Riser: A water supply tube to a faucet or a toilet. (Fig. 2)

Stop: Turns water supply on/off.

UPC: Uniform Plumbing Code.

Quality That Runs in the Family

BrassCraft® stops, machined from solid brass, offer the highest quality and most reliable connections. The finished stops are offered for a variety of connections including Compression, Sweat, CPVC and Push Connect. Options include metal stems, lock shields, dual outlets, dual shut-offs, stuffing boxes and handles.

All three platforms are designed, machined and assembled in the USA for reliability, consistently exceeding industry standards while offering superior performance and are delivered with exceptional customer service. As the leading manufacturer of water stops for more than 70 years, Brasscraft Mfg. Co. has the stop to meet your needs.

KT™ Series 1/4 Turn Ball Stops

1/4 turn ball stops are first in it's class with it's robust design and superior performance. Available in a variety of configurations.



Multi-Turn Stops

Multi-turn stops are the industry standard with proven performance. Available in a wide variety of configurations.



G2™ Series 1/4 Turn Stops

1/4 turn stops offer durable construction and innovation. Available with a full range of options, including push connect technology.



Dual Outlet, Dual Shut-off excluded from Designed, Machined and Assembled in the U.S.A.



Available Individually Boxed

BrassCraft stops are available individually packaged with clear product visual aids and descriptions. These durable boxes feature a reclosable top flap with a cellophane window that allows the customer to see the product.



Example:

O C R 1 9 X C 1 = 1/2" Nom Comp x 3/8" OD Outlet

Compression Inlet Angle Stop

Chrome Plated

Packaged individually in a reclosable box

BrassCraft®

1/4 Turn Water Supply Stops

KT™ Series

1/4 turn ball stops offer superior quality and performance. Additional features and benefits include:

- Positive 1/4 turn shut off
- Precision machined brass ball is specially engineered and mated with PTFE seats to provide smooth operation
- Two high-performance o-rings withstand high temperatures and corrosion
- Dual Outlet and Dual Outlet/Dual Shut Off configurations available
- 100% leak tested

G2™ Series

1/4 turn technology offers durable construction and proven performance. Additional features and benefits include:

- Positive 1/4 turn shut off
- One-piece shut off mechanism provides smooth operation
- Machined one-piece brass body provides strength, durability, and long lasting performance
- Easy-to-remove handle protects accidental stop operation during rough-ins
- 100% leak tested



Dual Outlet, Dual Shut-off
excluded from Designed, Machined
and Assembled in the U.S.A.



1/4 TURN SUPPLY STOPS

Part Numbering System

Example:



K	T	C	R	1	9	F	X	C	1
Stop Style		Stop Type		Outlet	Inlet	Option	Compliant	Finish	Packaging
1/4 Turn Ball Stop		Compression Inlet		3/8" OD (1/4" Nom)	1/2" Nominal Copper, Angle	Female Compression		Chrome	Individually Boxed

K T
Stop Style

Stop Style

- KT 1/4 Turn Ball Stop
- KTS 1/4 Turn Ball Stop w/Loose Key

C R
Stop Type

Stop Type

- | | | | |
|----|--------------------------|-------------|-----------------------|
| CR | Compression Inlet | BRPX | Barbed PEX Inlet |
| PR | CPVC Inlet | CS | Sweat Extension Inlet |
| R | Iron Pipe or Sweat Inlet | 33 | Slip-Joint Outlet |

1
Outlet

Outlet

- | | | | |
|---|--------------------|---|--------------------|
| 0 | 1/4" OD | 3 | 1/2" OD (3/8" Nom) |
| 1 | 3/8" OD (1/4" Nom) | 4 | 5/8" OD (1/2" Nom) |

9
Inlet

Inlet

- | | | | | | |
|---|--------------------------------|-----------|-------------------------------|-----------|---|
| 0 | 3/8" FIP, Straight | 01 | 1/2" FIP Inlet, Angle | 40 | 1/2" Nom Sweat x 3/8" OD Comp, Angle |
| 1 | 3/8" OD Compression (1/4" Nom) | 05 | 1/2" FIP Inlet, Straight | 41 | 1/2" Nom Sweat x 3/8" OD Comp, Straight |
| 2 | 1/2" FIP, Straight | 41 | 1/2" Nom Comp Inlet, Angle | | |
| 4 | 1/2" Nominal Copper, Straight | 45 | 1/2" Nom Comp Inlet, Straight | | |
| 5 | 3/8" FIP, Angle | | | | |
| 7 | 1/2" FIP, Angle | | | | |
| 9 | 1/2" Nominal Copper, Angle | | | | |

F
Option (Modifier)

Option

- F Female Compression

For Sweat Extension Inlets:

- B** With Escutcheon

X
Compliant

Compliant

- X 100% Compliant

C
Finish

Finish

- C Chrome Plated
- R Rough/Unplated

For Sweat Extension Inlets:

- C** Chrome Plated, Boxed
- R** Rough/Unplated, Boxed

1
Packaging (Modifier)

Packaging

- 1 Individually Boxed (These stops are highlighted in **bold print** in this catalog).

1/4 TURN SUPPLY STOPS

1/4 TURN SUPPLY STOPS

PART NO.	UPC	DESCRIPTION	FINISH	QTY	LBS
Compression x Compression - Angle					
KTCR09X C	026613135595	1/2" Nom Comp x 1/4" OD Comp	Chrome	60	16.5
KTCR09X C1	026613144795	1/2" Nom Comp x 1/4" OD Comp	Chrome	20	5.7
KTCR09X R	026613135601	1/2" Nom Comp x 1/4" OD Comp	Rough	60	16.4
KTCR19X C	026613138688	1/2" Nom Comp x 3/8" OD Comp	Chrome	60	16.7
KTCR19X C1	026613144801	1/2" Nom Comp x 3/8" OD Comp	Chrome	20	5.8
KTCR39X C	026613138367	1/2" Nom Comp x 1/2" OD Comp	Chrome	60	18.5



Compression x Compression - Straight					
KTCR04X C1	026613172583	1/2" Nom Comp x 1/4" OD Comp	Chrome	20	5.4
KTCR04X R	026613153155	1/2" Nom Comp x 1/4" OD Comp	Rough	60	15.4
KTCR11X C	026613150093	1/4" Nom Comp x 3/8" OD Comp	Chrome	60	14.6
KTCR14X C	026613138626	1/2" Nom Comp x 3/8" OD Comp	Chrome	60	15.8
KTCR14X C1	026613144764	1/2" Nom Comp x 3/8" OD Comp	Chrome	20	5.5
KTCR34X C	026613150130	1/2" Nom Comp x 1/2" OD Comp	Chrome	60	17.6
KTCR11FX C	026613142371	3/8" OD Fem Comp x 3/8" OD Comp	Chrome	60	15.3
KTCR11FX C1	026613142494	3/8" OD Fem Comp x 3/8" OD Comp	Chrome	20	5.3



Compression x Slip-Joint - Angle					
KT3341X C	026613138848	1/2" Nom Comp x 7/16" & 1/2" Slip-Joint	Chrome	60	19.1
KT3341X C1	026613144788	1/2" Nom Comp x 7/16" & 1/2" Slip-Joint	Chrome	20	6.6



Compression x Slip-Joint - Straight					
KT3345X C	026613138794	1/2" Nom Comp x 7/16" & 1/2" Slip-Joint	Chrome	60	18.2
KT3345X C1	026613144719	1/2" Nom Comp x 7/16" & 1/2" Slip-Joint	Chrome	20	6.3



FIP x Compression - Angle					
KTR15X C	026613142333	3/8" FIP x 3/8" OD Comp	Chrome	60	15.4
KTR15X C1	026613144825	3/8" FIP x 3/8" OD Comp	Chrome	20	5.4
KTR07X C	026613138053	1/2" FIP x 1/4" OD Comp	Chrome	60	18.6
KTR17X C	026613138718	1/2" FIP x 3/8" OD Comp	Chrome	60	18.8
KTR17X C1	026613144849	1/2" FIP x 3/8" OD Comp	Chrome	20	6.5
KTR37X C	026613138060	1/2" FIP x 1/2" OD Comp	Chrome	60	20.6



FIP x Compression - Straight					
KTR10X C	026613144535	3/8" FIP x 3/8" OD Comp	Chrome	60	14.5
KTR10X C1	026613144894	3/8" FIP x 3/8" OD Comp	Chrome	20	5.1
KTR12X C	026613137841	1/2" FIP x 3/8" OD Comp	Chrome	60	18.0
KTR12X C1	026613144900	1/2" FIP x 3/8" OD Comp	Chrome	20	6.3



1/4 TURN BALL SUPPLY STOPS

www.brasscraft.com



PART NO.	UPC	DESCRIPTION	FINISH	QTY	LBS
FIP x Slip-Joint - Angle					
KT3301X C	026613137056	1/2" FIP x 7/16" OD & 1/2" Slip-Joint	Chrome	60	21.2
KT3301X C1	026613144832	1/2" FIP x 7/16" OD & 1/2" Slip-Joint	Chrome	20	7.3



Sweat x Compression - Angle					
KTR09X C	026613150154	1/2" Nom Sweat x 1/4" OD Comp	Chrome	60	15.1
KTR19X C	026613144528	1/2" Nom Sweat x 3/8" OD Comp	Chrome	60	15.3
KTR19X C1	026613136103	1/2" Nom Sweat x 3/8" OD Comp	Chrome	20	5.3
KTR19X R	026613144856	1/2" Nom Sweat x 3/8" OD Comp	Rough	60	15.3



Sweat x Compression - Angle With 5" Sweat Extension Tube					
KTCS40X C	026613136738	1/2" Nom Sweat x 3/8" OD Comp	Chrome	30	12.7



Sweat x Compression - Straight With 5" Sweat Extension Tube					
KTCS41BX C	026613144740	1/2" Nom Sweat x 3/8" OD Comp With Bell Escutcheon	Chrome	30	13.3



Sweat x Compression - Straight					
KTR04X R	026613137612	1/2" Nom Sweat x 1/4" OD Comp	Rough	60	13.7
KTR14X C	026613144870	1/2" Nom Sweat x 3/8" OD Comp	Chrome	60	14.6
KTR14X C1	026613135991	1/2" Nom Sweat x 3/8" OD Comp	Chrome	20	5.1
KTR14X R	026613144887	1/2" Nom Sweat x 3/4" OD Comp	Rough	60	14.1



†Crimp PEX Barb x Compression - Angle					
KTBRPX19X C	026613150062	1/2" Nom Barb x 3/8" OD Comp	Chrome	60	15.0



†Crimp PEX Barb x Compression - Straight					
KTBRPX14X C	026613150055	1/2" Nom Barb x 3/8" OD Comp	Chrome	60	13.9



†Crimp PEX Barb x Barb - Straight					
KTBRPX44X C	026613136745	1/2" Nom Barb x 1/2" Nom Barb	Chrome	60	12.7
KTBRPX44X R	026613144863	1/2" Nom Barb x 1/2" Nom Barb	Rough	60	12.6

† For Brass "Crimp PEX" fittings and stops ASTM F1807

1/4 TURN SUPPLY STOPS**BrassCraft®**

11

PART NO.	UPC	DESCRIPTION	FINISH	QTY	LBS
ΔCPVC Solvent Weld x Compression - Angle					
KTPR19X C	026613138374	1/2" Nom CPVC x 3/8" OD Comp	Chrome	60	17.3
KTPR19X C1	026613144818	1/2" Nom CPVC x 3/8" OD Comp	Chrome	20	6.0

**ΔCPVC Solvent Weld x Compression - Straight**

KTPR04X R	026613150147	1/2" Nom CVPC x 1/4" OD Comp	Rough	60	15.9
KTPR14X C	026613138664	1/2" Nom CPVC x 3/8" OD Comp	Chrome	60	16.3
KTPR14X C1	026613144771	1/2" Nom CPVC x 3/8" OD Comp	Chrome	20	5.7



Δ CPVC pre-torqued fittings eliminate the need for tightening on the job.

www.brasscraft.com

1/4 TURN BALL SUPPLY STOPS



PART NO.	UPC	DESCRIPTION	FINISH	QTY	LBS
Compression x Compression - Angle					
KTSCR19X C	026613136820	1/2" Nom Comp x 3/8" OD Comp	Chrome	60	19.3



Compression x Compression - Straight					
KTSCR14X C	026613140964	1/2" Nom Comp x 3/8" OD Comp	Chrome	60	18.4



Compression x Compression - Angle					
KTSCR39X C	026613153186	1/2" Nom Comp x 1/2" OD Comp	Chrome	60	21.1



FIP x Compression - Angle					
KTSR15X C	026613150178	3/8" FIP x 3/8" OD Comp	Chrome	60	17.9
KTSR17X C	026613138077	1/2" FIP x 3/8" OD Comp	Chrome	60	21.4



Sweat x Compression - Angle					
KTSR19X C	026613150185	1/2" Nom Sweat x 3/8" OD Comp	Chrome	60	17.9



Sweat x Compression - Straight					
KTSR14X C	026613153209	1/2" Nom Sweat x 3/8" OD Comp	Chrome	60	17.2



Sweat x Compression - Angle With 5" Sweat Extension Tube					
KTSCS40BX C	026613150161	1/2" Nom Sweat x 3/8" OD Comp With Bell Escutcheon	Chrome	30	15.9



Sweat x Compression - Faucet Angle Supply Kit With 5" Sweat Extension Tube					
KTSCS400AX C	026613153193	1/2" Nom Sweat x 3/8" OD Comp x 12" Riser With Bell Escutcheon	Chrome	25	30.2

1/4 TURN SUPPLY STOPS



PART NO.	UPC	DESCRIPTION	FINISH	QTY	LBS
Sweat x Compression - Toilet Angle Supply Kit With 5" Sweat Extension Tube					
KTSCS401DLX C	026613155050	1/2" Nom Sweat x 3/8" OD Comp x 12" Riser With Bell Escutcheon	Chrome	50	34.0



1/4 TURN BALL SUPPLY STOPS WITH LOOSE KEY

www.brasscraft.com

Part Numbering System

Example:



G 2	C R	1	9	P X	X	C	1
Stop Style 1/4 Turn Stop	Stop Type Compression Inlet	Outlet 3/8" OD (1/4" Nom)	Inlet 1/2" Nominal Copper, Angle	Option Compression PEX Inlet	Compliant	Finish Chrome	Packaging Individually Boxed

G 2
Stop Style

Stop Style
G2 1/4 Turn Stop

C R
Stop Type

Stop Type

CR	Compression Inlet	BRPX	Barbed PEX Inlet
PR	CPVC Inlet	CEPX	Cold Expansion PEX Inlet
R	Iron Pipe Inlet	33	Slip-Joint Outlet
PS	Push Connect Inlet	QPS	Push Connect Outlet

1
Outlet

Outlet Size

0	1/4" OD	3	1/2" OD (3/8" Nom)
1	3/8" OD (1/4" Nom)	4	5/8" OD (1/2" Nom)

9
Inlet

Inlet Size & Style

0	3/8" FIP, Straight	01	1/2" FIP Inlet, Angle
1	3/8" OD Compression (1/4" Nom)	05	1/2" FIP Inlet, Straight
2	1/2" FIP, Straight	41	1/2" Nom Comp Inlet, Angle
4	1/2" Nominal Copper, Straight	45	1/2" Nom Comp Inlet, Straight
5	3/8" FIP, Angle		
7	1/2" FIP, Angle		
9	1/2" Nominal Copper, Angle		

For Slip-Joint Outlets:

P X
Option (Modifier)

Option
PX Compression PEX Inlet (w/Tube Insert)

X
Compliant

Compliant
X 100% Compliant

C
Finish

Finish
C Chrome Plated, Trayed R Rough Unplated, Trayed

1
Packaging (Modifier)

Packaging
1 Individually Boxed (These stops are highlighted in bold print in this catalog).

1/4 TURN SUPPLY STOPS

BrassCraft®

Push Connect Technology Water Supply Stops

Connect with Confidence. Fast. Reliable. Durable.

Features and benefits include:

- Installation ready with pre-assembled tube insert
- No special installation tools required
- Smooth 1/4 turn operation
- Compatible with copper, PEX and CPVC
- 100% leak tested



Dual Outlet, Dual Shut-off
excluded from Designed, Machined
and Assembled in the U.S.A.



1/4 TURN SUPPLY STOPS

PART NO.	UPC	DESCRIPTION	FINISH	QTY	LBS
Compression x Compression - Angle					
G2CR09X C	026613138305	1/2" Nom Comp x 1/4" OD Comp	Chrome	60	14.3
G2CR09X C1	026613138312	1/2" Nom Comp x 1/4" OD Comp	Chrome	20	5.0
G2CR09X R	026613138329	1/2" Nom Comp x 1/4" OD Comp	Rough	60	14.5
G2CR19X C	026613135069	1/2" Nom Comp x 3/8" OD Comp	Chrome	60	13.9
G2CR19X C1	026613135809	1/2" Nom Comp x 3/8" OD Comp	Chrome	20	4.8
G2CR19X R	026613138534	1/2" Nom Comp x 3/8" OD Comp	Rough	60	14.0
G2CR19X R1	026613160665	1/2" Nom Comp x 3/8" OD Comp	Rough	20	4.9
G2CR39X C	026613144955	1/2" Nom Comp x 1/2" OD Comp	Chrome	60	16.2
G2CR39X C1	026613144962	1/2" Nom Comp x 1/2" OD Comp	Chrome	20	5.6
G2CR39X R	026613144979	1/2" Nom Comp x 1/2" OD Comp	Rough	60	16.3



Compression x Compression - Straight

G2CR11X C	026613145075	1/4" Nom Comp x 3/8" OD Comp	Chrome	60	13.4
G2CR11X C1	026613144757	1/4" Nom Comp x 3/8" OD Comp	Chrome	20	4.7
G2CR14X C	026613136929	1/2" Nom Comp x 3/8" OD Comp	Chrome	60	15.5
G2CR14X C1	026613135892	1/2" Nom Comp x 3/8" OD Comp	Chrome	20	5.4
G2CR14X R	026613136943	1/2" Nom Comp x 3/8" OD Comp	Rough	60	15.6
G2CR34X C	026613144986	1/2" Nom Comp x 1/2" OD Comp	Chrome	60	13.3
G2CR34X C1	026613145044	1/2" Nom Comp x 1/2" OD Comp	Chrome	20	5.9
G2CR34X R	026613145051	1/2" Nom Comp x 1/2" OD Comp	Rough	60	17.2



Compression PEX x Compression - Angle

G2CR19PXX C	026613149608	1/2" Nom Comp x 3/8" OD Comp With Tube Insert	Chrome	60	14.5
-------------	--------------	---	--------	----	------



Compression PEX x Compression - Straight

G2CR14PXX C	026613136936	1/2" Nom Comp x 3/8" OD Comp With Tube Insert	Chrome	60	16.1
-------------	--------------	---	--------	----	------



Compression x Slip-Joint - Angle

G23341X C	026613135243	1/2" Nom Comp x 7/16" & 1/2" OD Slip-Joint	Chrome	60	17.8
G23341X C1	026613135250	1/2" Nom Comp x 7/16" & 1/2" OD Slip-Joint	Chrome	20	6.2



Compression x Slip-Joint - Straight

G23345X C	026613135236	1/2" Nom Comp x 7/16" & 1/2" OD Slip-Joint	Chrome	60	13.3
G23345X C1	026613145068	1/2" Nom Comp x 7/16" & 1/2" OD Slip-Joint	Chrome	20	6.5



1/4 TURN SUPPLY STOPS

PART NO.	UPC	DESCRIPTION	FINISH	QTY	LBS
FIP x Compression - Angle					
G2R15X C	026613145143	3/8" FIP x 3/8" OD Comp	Chrome	60	11.9
G2R15X C1	026613136059	3/8" FIP x 3/8" OD Comp	Chrome	20	4.2
G2R07X C	026613138336	1/2" FIP x 1/4" OD Comp	Chrome	60	14.8
G2R07X C1	026613138343	1/2" FIP x 1/4" OD Comp	Chrome	20	5.2
G2R07X R	026613144993	1/2" FIP x 1/4" OD Comp	Rough	60	15.0
G2R17X C	026613137926	1/2" FIP x 3/8" OD Comp	Chrome	60	14.9
G2R17X C1	026613135885	1/2" FIP x 3/8" OD Comp	Chrome	20	5.2
G2R17X R	026613145082	1/2" FIP x 3/8" OD Comp	Rough	60	15.1
G2R37X C	026613145006	1/2" FIP x 1/2" OD Comp	Chrome	60	16.9
G2R37X C1	026613145013	1/2" FIP x 1/2" OD Comp	Chrome	20	5.9



FIP x Compression - Straight

G2R10X C	026613145037	3/8" FIP x 3/8" OD Comp	Chrome	60	13.1
G2R10X C1	026613137803	3/8" FIP x 3/8" OD Comp	Chrome	20	4.6
G2R12X C	026613138572	1/2" FIP x 3/8" OD Comp	Chrome	60	15.4
G2R12X C1	026613135953	1/2" FIP x 3/8" OD Comp	Chrome	20	5.3



FIP x Slip-Joint - Angle

G23301X C	026613138411	1/2" FIP x 7/16" & 1/2" OD Slip-Joint	Chrome	60	18.2
G23301X C1	026613135724	1/2" FIP x 7/16" & 1/2" OD Slip-Joint	Chrome	20	6.3



FIP x Slip-Joint - Straight

G23305X C	026613137735	1/2" FIP x 7/16" & 1/2" OD Slip-Joint	Chrome	60	18.5
G23305X C1	026613137742	1/2" FIP x 7/16" & 1/2" OD Slip-Joint	Chrome	20	6.4



†Crimp PEX Barb x Compression - Angle

G2BRPX09X C	026613160252	1/2" Nom Crimp Barb x 1/4" OD Comp	Chrome	60	10.5
G2BRPX19X C	026613137568	1/2" Nom Crimp Barb x 3/8" OD Comp	Chrome	60	10.9
G2BRPX19X C1	026613172484	1/2" Nom Crimp Barb x 3/8" OD Comp	Chrome	20	3.9
G2BRPX19X R	026613145112	1/2" Nom Crimp Barb x 3/8" OD Comp	Rough	60	11.1



†Crimp PEX Barb x Compression - Straight

G2BRPX14X C	026613149578	1/2" Nom Crimp Barb x 3/8" OD Comp	Chrome	60	12.4
G2BRPX14X C1	026613172491	1/2" Nom Crimp Barb x 3/8" OD Comp	Chrome	20	4.4
G2BRPX14X R	026613149585	1/2" Nom Crimp Barb x 3/8" OD Comp	Rough	60	12.6



†Crimp PEX Barb x Barb - Straight

G2BRPX44X C	026613139821	1/2" Nom Crimp Barb x 1/2" Nom Barb	Chrome	60	11.5
G2BRPX44X R	026613136707	1/2" Nom Crimp Barb x 1/2" Nom Barb	Rough	60	11.7



† For Brass "Crimp PEX" fittings and stops ASTM F1807

www.brasscraft.com

1/4 TURN SUPPLY STOPS

PART NO.	UPC	DESCRIPTION	FINISH	QTY	LBS
‡Cold Expansion PEX Barb x Compression - Straight					
G2CEPX04X C	026613144733	1/2" Nom Cold Expansion Barb x 1/4" OD Comp	Chrome	60	12.7



‡Cold Expansion PEX Barb x Compression - Angle					
G2CEPX09X C	026613163826	1/2" Nom Cold Expansion Barb x 1/4" OD Comp	Chrome	60	11.3



G2CEPX19X C	026613141589	1/2" Nom Cold Expansion Barb x 3/8" OD Comp	Chrome	60	14.8
-------------	--------------	---	--------	----	------



‡Cold Expansion PEX Barb x Compression - Straight					
G2CEPX14X C	026613141565	1/2" Nom Cold Expansion Barb x 3/8" OD Comp	Chrome	60	13.3



ΔCPVC Solvent Weld x Compression - Angle					
G2PR19X C	026613142357	1/2" Nom CPVC x 3/8" OD Comp	Chrome	60	14.5
G2PR19X C1	026613144924	1/2" Nom CPVC x 3/8" OD Comp	Chrome	20	5.1
G2PR19X R	026613144931	1/2" Nom CPVC x 3/8" OD Comp	Rough	60	14.7



ΔCPVC Solvent Weld x Compression - Straight					
G2PR14X C	026613142364	1/2" Nom CPVC x 3/8" OD Comp	Chrome	60	16.0
G2PR14X C1	026613144917	1/2" Nom CPVC x 3/8" OD Comp	Chrome	20	5.6



Push Connect x Compression - Angle					
G2PS09X C	026613142180	1/2" Nom Push Connect x 1/4" OD Comp	Chrome	60	16.7
G2PS19X C	026613142128	1/2" Nom Push Connect x 3/8" OD Comp	Chrome	60	16.6
G2PS19X C1	026613142111	1/2" Nom Push Connect x 3/8" OD Comp	Chrome	20	5.8



Push Connect x Compression - Straight					
G2PS14X C	026613142142	1/2" Nom Push Connect x 3/8" OD Comp	Chrome	60	17.1
G2PS14X C1	026613142135	1/2" Nom Push Connect x 3/8" OD Comp	Chrome	20	5.9



Push Connect x Push Connect - Angle					
G2QPS19X C	026613145204	1/2" Nom Push Connect x 3/8" OD Push Connect	Chrome	60	17.8



‡ For Brass "Cold Expansion PEX" fittings and stops ASTM F1960
 Δ CPVC pre-torqued fittings eliminate the need for tightening on the job.

1/4 TURN SUPPLY STOPS



PART NO.	UPC	DESCRIPTION	FINISH	QTY	LBS
Push Connect x Push Connect - Straight					
G2QPS14X C	026613145198	1/2" Nom Push Connect x 3/8" OD Push Connect	Chrome	60	82.3



Push Connect Combination Removal Tool					
PCT-10-6	026613142197	1/2" Nom and 1/4" Nom Combination Removal Tool		10	0.4



www.brasscraft.com

1/4 TURN SUPPLY STOPS

BrassCraft®

Multi-Turn Water Supply Stops

The Industry Standard for Quality and Reliability.

Features and benefits include:

- Machined one-piece brass body provides strength, durability and long-lasting performance
- Easy-to-remove handle protects against accidental stop operation during rough-ins
- Oval knurled handle provides a secure grip and smooth on/off operation
- Dual outlet configurations available
- Repairable stem mechanism



Dual Outlet, Dual Shut-off
excluded from Designed, Machined
and Assembled in the U.S.A.



MULTI-TURN SUPPLY STOPS

MULTI-TURN SUPPLY STOPS

Part Numbering System

Example:



0	R	1	9	P	X	X	C	1
Stop Type		Outlet Size	Inlet	Options	Compliant		Finish	Packaging
Iron Pipe Inlet		3/8" OD (1/4" Nom)	1/2" Nominal Copper, Angle	Compression PEX Inlet			Chrome	Individually Boxed

S
Handle (Modifier)

Handle*

*Drop the '0' in Stop Type, when using modifier

S	Loose Key, Lock Shield	X	Cross
SS	Screw Driver Slot, Lock Shield	XX	Round

T
Stem (Modifier)

Stem*

*Drop the '0' in Stop Type, when using modifier

T	Stuffing Box
----------	--------------

0 R
Stop Type

Stop Type

OCR	Compression Inlet	OR	Iron Pipe Inlet	BRPX	Barbed PEX Inlet
OFCR	Flare Outlet, Compression Inlet	OFR	Flare Outlet, Iron Pipe Inlet	CS	Sweat Extension Inlet
FR	Flare Outlet, Sweat Inlet	R	Sweat Inlet	033	Slip-Joint Outlet
PR	CPVC Inlet	RD	Sweat Outlet x Sweat Inlet		

For Integral Shut-Offs:

R	Iron Pipe or Sweat Inlet
DRS	Screwdriver Slot, Less Lock Shield, Iron Pipe or Sweat Inlet

1
Outlet Size

Outlet Size (same as riser diameter)

0	1/4" OD	4	5/8" OD (1/2" Nom)
1	3/8" OD (1/4" Nom)	8	1/2" Iron Pipe
2	7/16" OD	9	3/8" Iron Pipe
3	1/2" OD (3/8" Nom)		

9
Inlet

Inlet Size & Style

0	3/8" FIP, Straight	9	1/2" Nominal Copper, Angle
1	3/8" OD Compression (1/4" Nom)	A	3/8" Nominal Copper, Straight
2	1/2" FIP, Straight	B	3/8" Nominal Copper, Angle
4	1/2" Nominal Copper, Straight		
5	3/8" FIP, Angle		
7	1/2" FIP, Angle		

For Slip-Joint Outlets:

01	1/2" FIP Inlet, Angle
05	1/2" FIP Inlet, Straight
41	1/2" Nom Comp Inlet, Angle
45	1/2" Nom Comp Inlet, Straight

For Integral Shut-Offs:

83	1/2" FIP x 1/2" MIP, Straight
84	1/2" Nom Sweat x 1/2" MIP, Straight
44	1/2" Nom Sweat x 1/2" Nom Sweat, Straight

For Sweat Extension Inlets:

40	1/2" Nom Sweat x 3/8" OD Comp, Angle
41	1/2" Nom Sweat x 3/8" OD Comp, Straight
47	1/2" Nom Sweat x 1/2" OD Comp, Straight

P X
Options

Options

PX	Compression PEX w/Tube Insert
-----------	-------------------------------

For Sweat Extension Inlets:

B	w/Escutcheon
----------	--------------

For Integral Shut-Offs:

AA	w/Check Inlet
M	w/Male Sweat Outlet

X
Compliant

Compliant

X	100% Compliant
----------	----------------

C
Finish

Finish

C	Chrome Plated, Trayed
R	Rough/Unplated, Trayed

For Sweat Extension Inlets:

C	Chrome Plated, Boxed
R	Rough/Unplated, Boxed

1
Packaging

Packaging

1	Individually Boxed (These stops are highlighted in bold print in this catalog).
----------	--

www.brasscraft.com

MULTI-TURN SUPPLY STOPS

PART NO.	UPC	DESCRIPTION	FINISH	QTY	LBS
Compression x Compression - Angle					
OCR1BX C	026613150413	3/8" Nom Comp x 3/8" OD Comp	Chrome	60	12.7
OCR1BX C1	026613150420	3/8" Nom Comp x 3/8" OD Comp	Chrome	20	4.5
OCR09X C	026613135274	1/2" Nom Comp x 1/4" OD Comp	Chrome	60	14.0
OCR09X C1	026613135298	1/2" Nom Comp x 1/4" OD Comp	Chrome	20	4.9
OCR09X R	026613135267	1/2" Nom Comp x 1/4" OD Comp	Rough	60	15.3
OCR19X C	026613135113	1/2" Nom Comp x 3/8" OD Comp	Chrome	60	14.4
OCR19X C1	026613135786	1/2" Nom Comp x 3/8" OD Comp	Chrome	20	5.0
OCR19X R	026613137445	1/2" Nom Comp x 3/8" OD Comp	Rough	60	15.7
OCR19X R1	026613135762	1/2" Nom Comp x 3/8" OD Comp	Rough	20	5.5
OCR29X C	026613138558	1/2" Nom Comp x 7/16" OD Comp	Chrome	60	14.9
OCR29X C1	026613135984	1/2" Nom Comp x 7/16" OD Comp	Chrome	20	5.2
OCR39X C	026613135182	1/2" Nom Comp x 1/2" OD Comp	Chrome	60	15.9
OCR39X C1	026613135212	1/2" Nom Comp x 1/2" OD Comp	Chrome	20	5.5
OCR39X R	026613135205	1/2" Nom Comp x 1/2" OD Comp	Rough	60	14.0



Compression x Compression - Straight

OCR11X C	026613153230	1/4" Nom Comp x 3/8" OD Comp	Chrome	60	14.7
OCR11X C1	026613141954	1/4" Nom Comp x 3/8" OD Comp	Chrome	20	5.1
OCR11X R	026613153247	1/4" Nom Comp x 3/8" OD Comp	Rough	60	16.0
OCR14X C	026613136981	1/2" Nom Comp x 3/8" OD Comp	Chrome	60	17.5
OCR14X C1	026613135977	1/2" Nom Comp x 3/8" OD Comp	Chrome	20	6.1
OCR14X R	026613138084	1/2" Nom Comp x 3/8" OD Comp	Rough	60	18.8
OCR14X R1	026613136004	1/2" Nom Comp x 3/8" OD Comp	Rough	20	6.5
OCR34X C	026613138428	1/2" Nom Comp x 1/2" OD Comp	Chrome	60	18.7
OCR34X C1	026613135946	1/2" Nom Comp x 1/2" OD Comp	Chrome	20	6.5
OCR34X R	026613138435	1/2" Nom Comp x 1/2" OD Comp	Rough	60	20.0



Compression PEX x Compression - Angle

OCR19PXX C	026613139661	1/2" Nom Comp x 3/8" OD Comp With Tube insert	Chrome	60	15.0
OCR19PXX R	026613153353	1/2" Nom Comp x 3/8" OD Comp With Tube insert	Rough	60	15.0



Compression PEX x Compression - Straight

OCR14PXX C	026613150321	1/2" Nom Comp x 3/8" OD Comp With Tube insert	Chrome	60	18.1
------------	--------------	---	--------	----	------



Compression x Slip-Joint - Angle

03341X C	026613138671	1/2" Nom Comp x 7/16" & 1/2" Slip-Joint	Chrome	60	18.0
03341X C1	026613135878	1/2" Nom Comp x 7/16" & 1/2" Slip-Joint	Chrome	20	6.2
03341X R	026613138749	1/2" Nom Comp x 7/16" & 1/2" Slip-Joint	Rough	60	19.3



■ Denotes best selling Multi-Turn Supply Stops.

MULTI-TURN SUPPLY STOPS

PART NO.	UPC	DESCRIPTION	FINISH	QTY	LBS
Compression x Slip-Joint - Straight					
03345X C	026613137940	1/2" Nom Comp x 7/16" & 1/2" Slip-Joint	Chrome	60	19.0
03345X C1	026613136028	1/2" Nom Comp x 7/16" & 1/2" Slip-Joint	Chrome	20	6.6



Compression x Flare - Angle

0FCR19X C	026613150499	1/2" Nom Comp x 3/8" OD Flare	Chrome	60	15.0
-----------	--------------	-------------------------------	--------	----	------



FIP x Compression - Angle

OR07X C	026613136844	1/2" FIP x 1/4" OD Comp	Chrome	60	14.3
OR07X C1	026613135939	1/2" FIP x 1/4" OD Comp	Chrome	20	5.0
OR15X C	026613137575	3/8" FIP x 3/8" OD Comp	Chrome	60	11.3
OR15X C1	026613135908	3/8" FIP x 3/8" OD Comp	Chrome	20	4.0
OR15X R	026613153476	3/8" FIP x 3/8" OD Comp	Rough	60	12.6
OR35X C	026613150772	3/8" FIP x 1/2" OD Comp	Chrome	60	13.4
OR17X C	026613138176	1/2" FIP x 3/8" OD Comp	Chrome	60	14.4
OR17X C1	026613135793	1/2" FIP x 3/8" OD Comp	Chrome	20	5.0
OR17X R	026613138565	1/2" FIP x 3/8" OD Comp	Rough	60	15.7
OR17X R1	026613138152	1/2" FIP x 3/8" OD Comp	Rough	20	5.5
OR37X C	026613138596	1/2" FIP x 1/2" OD Comp	Chrome	60	16.2
OR37X C1	026613135748	1/2" FIP x 1/2" OD Comp	Chrome	20	5.6
OR37X R	026613153520	1/2" FIP x 1/2" OD Comp	Rough	60	17.5



FIP x Compression - Straight

OR10X C	026613154275	3/8" FIP x 3/8" OD Comp	Chrome	60	14.1
OR10X C1	026613141947	3/8" FIP x 3/8" OD Comp	Chrome	20	4.9
OR10X R	026613154282	3/8" FIP x 3/8" OD Comp	Rough	60	15.4
OR12X C	026613138442	1/2" FIP x 3/8" OD Comp	Chrome	60	17.8
OR12X C1	026613135755	1/2" FIP x 3/8" OD Comp	Chrome	20	6.2
OR12X R	026613154299	1/2" FIP x 3/8" OD Comp	Rough	60	19.1
OR32X C	026613135229	1/2" FIP x 1/2" OD Comp	Chrome	60	18.9
OR32X C1	026613135830	1/2" FIP x 1/2" OD Comp	Chrome	20	6.5



FIP x FIP - Straight

OR90X C	026613150840	3/8" FIP x 3/8" FIP	Chrome	60	13.9
OR82X C	026613150802	1/2" FIP x 1/2" FIP	Chrome	60	18.2



■ Denotes best selling Multi-Turn Supply Stops.

www.brasscraft.com

MULTI-TURN SUPPLY STOPS



PART NO.	UPC	DESCRIPTION	FINISH	QTY	LBS
FIP x Flare - Angle					
OFR17X C	026613150505	1/2" FIP x 3/8" OD Flare	Chrome	60	15.1
OFR37X C	026613150529	1/2" FIP x 1/2" OD Flare	Chrome	60	16.9



PART NO.	UPC	DESCRIPTION	FINISH	QTY	LBS
FIP x Slip-Joint - Angle					
O3301X C	026613138657	1/2" FIP x 7/16" OD & 1/2" Slip-Joint	Chrome	60	17.9
O3301X C1	026613135861	1/2" FIP x 7/16" OD & 1/2" Slip-Joint	Chrome	20	6.2
O3301X R	026613138701	1/2" FIP x 7/16" OD & 1/2" Slip-Joint	Rough	60	19.2



PART NO.	UPC	DESCRIPTION	FINISH	QTY	LBS
FIP x Slip-Joint - Straight					
O3305X C	026613138770	1/2" FIP x 7/16" OD & 1/2" Slip-Joint	Chrome	60	20.6
O3305X C1	026613136035	1/2" FIP x 7/16" OD & 1/2" Slip-Joint	Chrome	20	7.1
O3305X R	026613157634	1/2" FIP x 7/16" OD & 1/2" Slip-Joint	Rough	60	21.9



PART NO.	UPC	DESCRIPTION	FINISH	QTY	LBS
Sweat x Compression - Angle					
R1BX C	026613153780	3/8" Nom Sweat x 3/8" OD Comp	Chrome	60	14.4
R09X C	026613153650	1/2" Nom Sweat x 1/4" OD Comp	Chrome	60	14.7
R09X C1	026613142500	1/2" Nom Sweat x 1/4" OD Comp	Chrome	20	5.1
R09X R	026613154329	1/2" Nom Sweat x 1/4" OD Comp	Rough	60	15.1
R09X R1	026613153667	1/2" Nom Sweat x 1/4" OD Comp	Rough	20	5.3
R19X C	026613138480	1/2" Nom Sweat x 3/8" OD Comp	Chrome	60	15.6
R19X C1	026613136110	1/2" Nom Sweat x 3/8" OD Comp	Chrome	20	5.4
R19X R	026613137919	1/2" Nom Sweat x 3/8" OD Comp	Rough	60	15.4
R19X R1	026613136127	1/2" Nom Sweat x 3/8" OD Comp	Rough	20	5.4
R39X C	026613151694	1/2" Nom Sweat x 1/2" OD Comp	Chrome	60	16.7
R39X R	026613151700	1/2" Nom Sweat x 1/2" OD Comp	Rough	60	16.5



PART NO.	UPC	DESCRIPTION	FINISH	QTY	LBS
Sweat x Compression - Straight					
R04X C	026613154305	1/2" Nom Sweat x 1/4" OD Comp	Chrome	60	16.7
R04X R	026613154312	1/2" Nom Sweat x 1/4" OD Comp	Rough	60	16.9
R04X R1	026613136134	1/2" Nom Sweat x 1/4" OD Comp	Rough	20	5.8
R14X C	026613142548	1/2" Nom Sweat x 3/8" OD Comp	Chrome	60	18.3
R14X C1	026613136080	1/2" Nom Sweat x 3/8" OD Comp	Chrome	20	6.3
R14X R	026613154336	1/2" Nom Sweat x 3/8" OD Comp	Rough	60	17.4
R14X R1	026613136073	1/2" Nom Sweat x 3/8" OD Comp	Rough	20	6.0
R34X C	026613151588	1/2" Nom Sweat x 1/2" OD Comp	Chrome	60	18.2
R34X R	026613151601	1/2" Nom Sweat x 1/2" OD Comp	Rough	60	18.0

■ Denotes best selling Multi-Turn Supply Stops.

MULTI-TURN SUPPLY STOPS

PART NO.	UPC	DESCRIPTION	FINISH	QTY	LBS
----------	-----	-------------	--------	-----	-----

Sweat x Compression - Angle With 5" Sweat Extension Tube

CS40X C	026613136721	1/2" Nom Sweat x 3/8" OD Comp	Chrome	30	10.8
CS40BX C	026613138299	1/2" Nom Sweat x 3/8" OD Comp With Bell Escutcheon	Chrome	30	12.4
CS40BX C1	026613135717	1/2" Nom Sweat x 3/8" OD Comp With Bell Escutcheon	Chrome	12	5.1



Sweat x Compression - Straight With 5" Sweat Extension Tube

CS41X C	026613149370	1/2" Nom Sweat x 3/8" OD Comp	Chrome	30	11.8
CS41BX C	026613137896	1/2" Nom Sweat x 3/8" OD Comp With Bell Escutcheon	Chrome	30	13.3
CS41BX C1	026613136042	1/2" Nom Sweat x 3/8" OD Comp With Bell Escutcheon	Chrome	12	5.4
CS47BX C	026613149462	1/2" Nom Sweat x 1/2" OD Comp With Bell Escutcheon	Chrome	30	14.7



Sweat x Flare - Angle

FR19X C	026613149547	1/2" Nom Sweat x 3/8" OD Flare	Chrome	60	15.7
FR19X R	026613149554	1/2" Nom Sweat x 3/8" OD Flare	Rough	60	16.1



†Crimp PEX Barb x Compression - Angle

BRPX1BX C	026613149059	3/8" Nom Barb x 3/8" OD Comp	Chrome	60	11.3
BRPX09X C	026613149011	1/2" Nom Barb x 1/4" OD Comp	Chrome	60	10.6
BRPX09X R	026613149035	1/2" Nom Barb x 1/4" OD Comp	Rough	60	10.6
BRPX19X C	026613138206	1/2" Nom Barb x 3/8" OD Comp	Chrome	60	11.0
BRPX19X C1	026613172453	1/2" Nom Barb x 3/8" OD Comp	Chrome	20	3.9
BRPX19X R	026613138213	1/2" Nom Barb x 3/8" OD Comp	Rough	60	11.0



†Crimp PEX Barb x Compression - Straight

BRPX04X C	026613148991	1/2" Nom Barb x 1/4" OD Comp	Chrome	60	13.9
BRPX04X R	026613149004	1/2" Nom Barb x 1/4" OD Comp	Rough	60	13.9
BRPX14X C	026613142326	1/2" Nom Barb x 3/8" OD Comp	Chrome	60	15.1
BRPX14X C1	026613172460	1/2" Nom Barb x 3/8" OD Comp	Chrome	20	5.3
BRPX14X R	026613149042	1/2" Nom Barb x 3/8" OD Comp	Rough	60	15.1



†Crimp PEX Barb x Barb - Straight

BRPX44X R	026613136691	1/2" Nom Barb x 1/2" Nom Barb	Rough	60	13.2
-----------	--------------	-------------------------------	-------	----	------



‡Cold Expansion PEX Barb x Compression - Angle

CEPX19X C	026613159447	1/2" Nom Cold Expansion Barb x 3/8" OD Comp	Chrome	60	10.9
-----------	--------------	---	--------	----	------



■ Denotes best selling Multi-Turn Supply Stops.

† For Brass "Crimp PEX" fittings and stops ASTM F1807

‡ For Brass "Cold Expansion PEX" fittings and stops ASTM F1960

www.brasscraft.com

MULTI-TURN SUPPLY STOPS



PART NO.	UPC	DESCRIPTION	FINISH	QTY	LBS
ΔCPVC Solvent Weld x Compression - Angle					
PR09X R	026613135281	1/2" Nom CPVC x 1/4" OD Comp	Rough	60	14.5
PR19X C	026613136752	1/2" Nom CPVC x 3/8" OD Comp	Chrome	60	14.9
PR19X C1	026613138589	1/2" Nom CPVC x 3/8" OD Comp	Chrome	20	5.2
PR19X R	026613142555	1/2" Nom CPVC x 3/8" OD Comp	Rough	60	14.9
PR39X C	026613153643	1/2" Nom CPVC x 1/2" OD Comp	Chrome	60	17.0
PR39X R	026613142395	1/2" Nom CPVC x 1/2" OD Comp	Rough	60	17.0



ΔCPVC Solvent Weld x Compression - Straight					
PR14X C	026613138640	1/2" Nom CPVC x 3/8" OD Comp	Chrome	60	21.6
PR14X C1	026613136011	1/2" Nom CPVC x 3/8" OD Comp	Chrome	20	5.9
PR14X R	026613142388	1/2" Nom CPVC x 3/8" OD Comp	Rough	60	21.6
PR34X C	026613153629	1/2" Nom CPVC x 1/2" OD Comp	Chrome	60	19.3
PR34X R	026613153636	1/2" Nom CPVC x 1/2" OD Comp	Rough	60	19.3

Variations



Lock Shield
Loose Key
Add Prefix **"S"**



Lock Shield
Screwdriver Slot
Add Prefix **"SS"**



Stuffing Box
Add Prefix **"T"**



Sweat and loose key stops are furnished with brass stems. All others are furnished with corrosion resistant P.O.M. stems. Brass Stem (Non-Sweat) Add Suffix **"Z"** e.g., OCR19Z C



Stuffing Box
Lock Shield
Loose Key
Add Prefix **"ST"**



Stuffing Box
Lock Shield
Screwdriver Slot
Add Prefix **"SST"**



Cross Handle
Add Prefix **"X"**

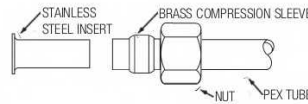
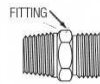
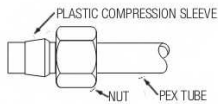
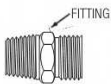


Round (Brass) Handle
Add Prefix **"XX"**

PEX Tube Compression Connection

For PEX Tube 3/8" OD and smaller, use plastic compression sleeve.

For PEX Tube larger than 3/8" OD, use brass compression sleeve with stainless steel tube insert.



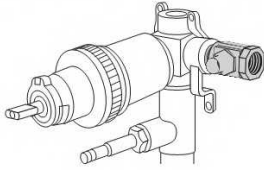
NOTE: All 3/8" OD PEX Risers come with plastic compression sleeve.
All 1/2" OD PEX Risers come with stainless steel tube insert.

Δ CPVC pre-torqued fittings eliminate the need for tightening on the job.

MULTI-TURN SUPPLY STOPS



Stops For Diverters And Shower Mixing Valves



- Direct connection to water lines saves cost of elbows and nipples.
- Shuts off water to shower without shutting down water supply.
- A convenience for all shower repairs.



PART NO.	UPC	DESCRIPTION	FINISH	QTY	LBS
----------	-----	-------------	--------	-----	-----

Integral Shut-Off - with Lock Shield Screwdriver Slot - Straight

SSR84X R	026613173634	1/2" Nom Sweat Female x 1/2" MIP	Rough	60	20.9
----------	--------------	----------------------------------	-------	----	------



SSR83X R	026613173641	1/2" FIP x 1/2" MIP	Rough	60	22.3
----------	--------------	---------------------	-------	----	------



SSR44MX C	026613139241	1/2" Nom Sweat Female x 1/2" Nom Sweat Male	Chrome	60	18.1
-----------	--------------	---	--------	----	------

SSR44MX R	026613139838	1/2" Nom Sweat Female x 1/2" Nom Sweat Male	Rough	60	18.1
-----------	--------------	---	-------	----	------



Integral Shut-Off - Less Lock Shield Screwdriver Slot - Straight

DRS44MX R	026613173672	1/2" NOM SWEAT FEMALE X 1/2" N	Rough	60	16.2
-----------	--------------	--------------------------------	-------	----	------

DRS44MX R1	026613173665	1/2" NOM SWEAT FEMALE X 1/2" N	Rough	20	5.7
------------	--------------	--------------------------------	-------	----	-----



DRS83X R	026613173689	1/2" FIP X 1/2" MIP	Rough	60	20.4
----------	--------------	---------------------	-------	----	------

DRS83X R1	026613173658	1/2" FIP X 1/2" MIP	Rough	20	7.0
-----------	--------------	---------------------	-------	----	-----



DRS84X R	026613173627	1/2" NOM SWEAT FEMALE X 1/2" M	Rough	60	19.0
----------	--------------	--------------------------------	-------	----	------



www.brasscraft.com

MULTI-TURN SUPPLY STOPS - INTEGRAL SHUT-OFF

Part Numbering System

Example:



K	T	C	R	1	9	0	1	L	R	X	C	1
Stop Style	Stop Type	Riser Outlet	Inlet	Dual Outlet	Side Outlet	Option	Compliant	Finish	Packaging			
1/4 Turn Ball Stop	Compression Inlet	3/8" OD (1/4" Nom)	1/2" Nom Copper, Angle		3/8" OD (1/4" Nom)	Outlet Either Side		Chrome	Individually Boxed			



Stop Style

Stop Style*

*Prefix not containing 'KT' or 'G2' indicates Multi-Turn Stop

KT	1/4 Turn Ball Stop
G2	1/4 Turn Stop



Handle (Modifier)

Handle*

*Available w/Multi-Turn Only

S	Loose Key, Lock Shield	X	Cross
SS	Screw Driver Slot, Lock Shield	XX	Round



Stem (Modifier)

Stem*

*Available w/Multi-Turn Only

T	Stuffing Box
---	--------------



Stop Type

Stop Type

CR	Compression Inlet	R	Iron Pipe or Sweat Inlet
FR	Flare Outlet	BRPX	Barbed PEX Inlet
PR	CPVC Inlet		



Outlet

Riser Outlet

1	3/8" OD (1/4" Nom)	3	1/2" OD (3/8" Nom)
2	7/16" OD		



Inlet

Inlet

7	1/2" FIP, Angle	9	1/2" Nominal Copper, Angle
---	-----------------	---	----------------------------



Dual Outlet

Dual Outlet

0	Dual Outlet
---	-------------



Side Outlet

Side Outlet

0	1/4" OD	2	7/16" OD
1	3/8" OD (1/4" Nom)	3	1/2" OD (3/8" Nom)



Option (Modifier)

Option

L	Left Side Outlet
LR	Outlet Either Side
R	Right Side Outlet

For Dual Shut-Offs:

DV	Dual Shut-Off
DVS	Dual Shut-Off, Straight



Compliant

Compliant

X	100% Compliant
---	----------------



Finish

Finish

C	Chrome Plated, Trayed	R	Rough/Unplated, Trayed
---	-----------------------	---	------------------------



Packaging

Packaging

1 Individually Bagged (These stops are highlighted in **bold print** in this catalog). For Dual Outlet/Dual Shut Off "R1" means bag.

DUAL OUTLET SUPPLY STOPS

DUAL OUTLET SUPPLY STOPS



PART NO.	UPC	DESCRIPTION	FINISH	QTY	LBS
Compression x Compression x Compression					
KTCR1901X R1	026613150116	1/2" Nom Comp x 3/8" OD Comp x 3/8" OD Comp	Rough	16	7.1
CR1900LX C1	026613138220	1/2" Nom Comp x 3/8" OD Comp x 1/4" OD Comp	Chrome	16	5.3
CR1900LX R1	026613138237	1/2" Nom Comp x 3/8" OD Comp x 1/4" OD Comp	Rough	16	5.7
CR1900RX C1	026613136882	1/2" Nom Comp x 3/8" OD Comp x 1/4" OD Comp	Chrome	16	5.3
CR1900RX R1	026613135854	1/2" Nom Comp x 3/8" OD Comp x 1/4" OD Comp	Rough	16	5.7
CR1901LRX C1	026613137872	1/2" Nom Comp x 3/8" OD Comp x 3/8" OD Comp	Chrome	16	5.4
CR1901LRX R1	026613135779	1/2" Nom Comp x 3/8" OD Comp x 3/8" OD Comp	Rough	16	5.7
CR2901RX C1	026613138268	1/2" Nom Comp x 7/16" OD Comp x 3/8" OD Comp	Chrome	16	5.4
CR2901RX R1	026613135915	1/2" Nom Comp x 7/16" OD Comp x 3/8" OD Comp	Rough	16	5.8
CR3901LX C1	026613138404	1/2" Nom Comp x 1/2" OD Comp x 3/8" OD Comp	Chrome	16	5.8
CR3901LX R1	026613135960	1/2" Nom Comp x 1/2" OD Comp x 3/8" OD Comp	Rough	16	6.1
CR3901RX C1	026613137858	1/2" Nom Comp x 1/2" OD Comp x 3/8" OD Comp	Chrome	16	5.7
CR3901RX R1	026613137865	1/2" Nom Comp x 1/2" OD Comp x 3/8" OD Comp	Rough	16	6.1



FIP x Compression x Compression

R1700RX C1	026613138459	1/2" FIP x 3/8" OD Comp x 1/4" OD Comp	Chrome	16	4.9
R1700RX R1	026613135847	1/2" FIP x 3/8" OD Comp x 1/4" OD Comp	Rough	16	5.2
R1701LRX C1	026613137001	1/2" FIP x 3/8" OD Comp x 3/8" OD Comp	Chrome	16	5.0
R1701LRX R1	026613135731	1/2" FIP x 3/8" OD Comp x 3/8" OD Comp	Rough	16	5.3
R2700RX R1	026613151526	1/2" FIP x 7/16" OD Comp x 1/4" OD Comp	Rough	16	5.3
R3700RX R1	026613135816	1/2" FIP x 1/2" OD Comp & 3/8" OD Comp	Rough	16	5.4
R3701RX C1	026613138800	1/2" FIP x 1/2" OD Comp & 3/8" OD Comp	Chrome	16	5.3
R3701RX R1	026613135823	1/2" FIP x 1/2" OD Comp & 3/8" OD Comp	Rough	16	5.6
R3703LX C1	026613151663	1/2" FIP x 1/2" OD Comp x 1/2" OD Comp	Chrome	16	11.9
R3703LX R1	026613151670	1/2" FIP x 1/2" OD Comp x 1/2" OD Comp	Rough	16	12.3



Sweat x Compression x Compression

R1901LX C1	026613138619	1/2" Nom Sweat x 3/8" OD Comp x 3/8" OD Comp	Chrome	16	2.1
R1901LX R1	026613142517	1/2" Nom Sweat x 3/8" OD Comp x 3/8" OD Comp	Rough	16	2.1



†Crimp PEX Barb x Compression x Compression

BRPX1901LX R1	026613137728	1/2" Nom Barb x 3/8" OD Comp x 3/8" OD Comp	Rough	16	1.6
---------------	--------------	---	-------	----	-----



■ Denotes best selling Dual Outlet Supply Stops.
 † For Brass "Crimp PEX" fittings and stops ASTM F1807

www.brasscraft.com

1/4 TURN BALL & MULTI-TURN SUPPLY STOPS - DUAL OUTLET



PART NO.	UPC	DESCRIPTION	FINISH	QTY	LBS
ΔCPVC Solvent Weld x Compression x Compression					
PR1901LRX R1	026613138695	1/2" Nom CPVC x 3/8" OD Comp x 3/8" OD Comp	Rough	16	5.9



FIP x Flare x Flare					
FR1901LRX C1	026613152950	1/2" Nom Sweat x 3/8" OD Flare x 3/8" OD Flare	Chrome	20	6.2
FR1701LRX R1	026613137018	1/2" FIP x 3/8" OD Flare x 3/8" OD Flare	Rough	16	5.2

1/4 TURN BALL & MULTI-TURN SUPPLY STOPS - DUAL OUTLET

Δ CPVC pre-torqued fittings eliminate the need for tightening on the job.

DUAL OUTLET, DUAL SHUT-OFF SUPPLY STOPS BrassCraft®

Dual Outlet, Dual Shut-Off Supply Stops



Unlike a standard dual outlet stop, BrassCraft's dual outlet, dual shut-off 1/4 turn ball stop allows you to turn off the water to one source while working on another. For instance, you can still run hot water out of your faucet and turn off the water to your instant hot water dispenser. This means you don't have to install two separate stops. This added convenience is ideal for:

- Dishwashers
- Ice Makers
- Water Filters
- Instant Hot Water Dispensers



PART NO.	UPC	DESCRIPTION	FINISH	QTY	LBS
----------	-----	-------------	--------	-----	-----

Compression x Compression x Compression - Angle

KTCR1900DVX R	026613137988	1/2" Nom Comp x 3/8" OD Comp x 1/4" OD Comp	Rough	30	13.1
KTCR1900DVX R1	026613142876	1/2" Nom Comp x 3/8" OD Comp x 1/4" OD Comp	Rough	16	6.9
KTCR1901DVX R	026613137995	1/2" Nom Comp x 3/8" OD Comp x 3/8" OD Comp	Rough	30	12.9
KTCR1901DVX R1	026613142869	1/2" Nom Comp x 3/8" OD Comp x 3/8" OD Comp	Rough	16	6.8



Compression x Compression x Compression - Straight

KTCR1901DVXS R	026613150123	1/2" Nom Comp x 3/8" OD Comp x 3/8" OD Comp	Rough	30	13.0
----------------	--------------	---	-------	----	------



†Crimp PEX Barb x Compression x Compression - Angle

KTBRPX1901DVX R	026613150086	1/2" Nom Barb x 3/8" OD Comp x 3/8" OD Comp	Rough	30	10.6
KTBRPX1901DVX R1	026613142920	1/2" Nom Barb x 3/8" OD Comp x 3/8" OD Comp	Rough	16	5.5



† For Brass "Crimp PEX" fittings and stops ASTM F1807

BrassCraft® DUAL OUTLET, DUAL SHUT-OFF SUPPLY STOPS

PART NO.	UPC	DESCRIPTION	FINISH	QTY	LBS
----------	-----	-------------	--------	-----	-----



Compression x Compression x Compression - Angle

CR1900DVX C	026613137384	1/2" Nom Comp x 3/8" OD Comp x 1/4" OD Comp	Chrome	30	11.5
CR1900DVX R	026613137377	1/2" Nom Comp x 3/8" OD Comp x 1/4" OD Comp	Rough	30	12.8



Compression x Compression x Compression - Straight

CR1900DVSX R	026613137971	1/2" Nom Comp x 3/8" OD Comp x 1/4" OD Comp	Rough	30	12.8
--------------	--------------	---	-------	----	------



Compression x Compression x Compression - Angle

CR1901DVX C	026613137421	1/2" Nom Comp x 3/8" OD Comp x 3/8" OD Comp	Chrome	30	11.8
CR1901DVX R	026613137414	1/2" Nom Comp x 3/8" OD Comp x 3/8" OD Comp	Rough	30	13.1



Compression x Compression x Compression - Straight

CR1901DVSX C	026613137391	1/2" Nom Comp x 3/8" OD Comp x 3/8" OD Comp	Chrome	30	11.7
CR1901DVSX R	026613137407	1/2" Nom Comp x 3/8" OD Comp x 3/8" OD Comp	Rough	30	13.0



Compression x Compression x Compression - Angle

CR1903DVX R	026613142319	1/2" Nom Comp x 3/8" OD Comp x 1/2" OD Comp	Rough	30	13.0
-------------	--------------	---	-------	----	------



ΔCPVC Solvent Weld x Compression x Compression - Angle

PR1900DVX R	026613153551	1/2" Nom CPVC x 3/8" OD Comp x 1/4" OD Comp	Rough	30	13.1
PR1901DVX R	026613142340	1/2" Nom CPVC x 3/8" OD Comp x 3/8" OD Comp	Rough	30	13.4



FIP x Compression x Compression - Angle

R1700DVX R	026613138015	1/2" FIP x 3/8" OD Comp x 1/4" OD Comp	Rough	30	12.5
R1701DVX R	026613138473	1/2" FIP x 3/8" OD Comp x 3/8" OD Comp	Rough	30	12.6

Δ CPVC pre-torqued fittings eliminate the need for tightening on the job.

MULTI-TURN SUPPLY STOPS - DUAL OUTLET, DUAL SHUT-OFF

NEEDLE & HUMIDIFIER VALVES



Brass Icemaker/Humidifier Valves



Product Applications

- Icemaker
- Humidifiers

Product Advantages

- BrassCraft® Needle Valves have metal-to-metal seats with fine thread adjustment.
- Provide positive sealing and flow adjustment up to the capacity of the valve.
- Backed by Brasscraft Mfg. Co.'s more than 70 year history and reputation for quality and service.

PART NO.	UPC	DESCRIPTION	FINISH	QTY	LBS
----------	-----	-------------	--------	-----	-----

Compression x MIP Needle Valves

NEV3-C1X	026613150215	1/4" OD Comp x 1/8" MIP With Extension, Angle	Rough	300	22.9
NV104-4-2X	026613150222	1/4" OD Comp x 1/8" MIP, Angle	Rough	450	30.9
NV106-4-2X	026613150277	1/4" OD Comp x 1/8" MIP, Straight	Rough		30.4



Compression Needle Valves

NV105-4X	026613137490	1/4" OD Comp x 1/4" OD Comp	Rough	300	27.3
NV105-6X	026613137483	3/8" OD Comp x 3/8" OD Comp	Rough	225	28.8



Humidifier Valves - Ice Maker Kit

NV104-EE1X K1	026613153223	3/8" OD Comp x 3/8" OD Comp With 1/4" OD Comp	Rough	100	18.4
---------------	--------------	---	-------	-----	------



Self-Piercing Needle Valve Kits

PNEV-NCVX	026613137476	For 3/8" to 1" OD Tube w/1/4" OD Comp, Inc. Saddle Clamp With Self-Locking Nuts, Brass Sleeve & Insert, & Delrin Sleeve	Rough	75	18.0
-----------	--------------	---	-------	----	------



www.brasscraft.com

NEEDLE & HUMIDIFIER VALVES



PART NO.	UPC	DESCRIPTION	FINISH	QTY	LBS
Self-Piercing Needle Valve Kits (cont.)					
BC96X	026613148977	For 3/8" to 1" OD Tube w/1/4" OD Comp Incl. Saddle Clamp With Self-Locking Nuts, 1/4" OD x 25' Polyethylene Tube, Brass Sleeve & Inserts & Sleeve, & 1/4" OD Union	Rough	5	4.0
BC97X	026613148984	For 3/8" to 1" OD Tube w/1/4" OD Comp Incl. Saddle Clamp With Self-Locking Nuts, 1/4" OD x 25' Copper Tube, Brass Sleeve & 1/4" OD Union	Rough	5	10.3

WATER SUPPLY CONNECTORS



Supply Risers: Faucet









<p>A</p>  <p>Formed Metal Nosepiece w/Insert Suffix "A" Example: 1-12A C</p>	<p>C</p>  <p>Rubber Washer w/Brass Friction Ring Suffix "C" Example: F1-11C C</p>	<p>CS</p>  <p>Reinforced, Formed Nosepiece, One-Piece Construction Suffix "CS" Example: CS600 R See Fig. 1</p> <ul style="list-style-type: none"> • Pre-assembled with brass coupling nut for metal-to-metal seat • Eliminates faucet tailpieces and IP x sweat adaptors • Direct connection from faucet to service line • Deep well, 1/2" Nom copper solder cup • For in-line shut-off, use with compression valve 	<p>KC</p>  <p>Compression Nut and Sleeve Suffix "KC" Example: 1-12KC C See Fig. 2</p>
<p>K</p>  <p>1/2" MIP Tapped 1/4" FIP Suffix "K" Example: 1-12K C</p>	<p>KA</p>  <p>Sweat Suffix "KA" Example: 1-12KA C See Fig. 3</p>		

Fig. 1




CS

Fig. 2



KC

Fig. 3



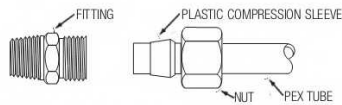
KA

Supply Risers: Toilet

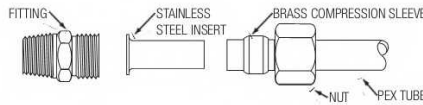
<p>DL</p>  <p>Formed Nosepiece w/Insert Gasket Suffix "DL" Example: 1-12DL C</p>	<p>DE</p>  <p>Heavy Nosepiece w/Rubber Washer Suffix "DE" Example: 1-12DE C</p>	<p>E</p>  <p>Rubber Washer w/Brass Friction Ring Suffix "E" Example: F1-11E C</p>
---	--	--

PEX Tube Compression Connection

For PEX Tube 3/8" OD and smaller, use plastic compression sleeve.



For PEX Tube larger than 3/8" OD, use brass compression sleeve with stainless steel tube insert.



NOTE: All 3/8" OD PEX Risers come with plastic compression sleeve.
All 1/2" OD PEX Risers come with stainless steel tube insert.

Boxed Risers † Denotes riser is available boxed. Contact your local rep.

www.brasscraft.com

RISERS

Part Numbering System

Example:



1 - **1 2** **A** **C** **2**
 Inlet 3/8" OD Length 12" Outlet Style Faucet One Piece w/Insert Finish Chrome Plated, Bulk Packed Packaging 1 Pair, Boxed

P
Inlet

Riser Style

Copper Riser (No Prefix) P PEX Riser

F
Inlet

Riser Type

F Flared Outlet

1
Inlet

Inlet (Stop or fitting outlet size)

1 3/8" OD 3 1/2" OD

1 2
Length

Length

12 12"
15 15"
20 20"
30 30"
36 36"

For Flare (Copper Risers):

11 11"
17 17"
20 20"

For PEX Risers:

12 12"
15 15"
20 20"
30 30"
36 36"

A
Outlet Style

Outlet Style

A Faucet - One Piece w/Insert
C Faucet - Rubber Washer w/Brass Ring
K Faucet - 1/2" MIP (Tapped 1/4" FIP)
KA Faucet - Sweat
KC Faucet - Compression
DE Toilet - w/Heavy Duty Rubber Nosepiece
DL Toilet - w/Gasket Nosepiece
E Toilet - Rubber Washer w/Brass Ring

For Flare (Copper Risers):

C Faucet - Rubber Washer w/Brass Ring
E Toilet - Rubber Washer w/Brass Ring

For PEX Risers:

A Faucet - One Piece w/Insert
DL Toilet - w/Gasket Nosepiece

S
Finish

Option (For one-piece copper risers)

S Solid Brass

C
Finish

Finish

C Chrome Plated, Bulk Packed R Rough/Unplated, Bulk Packed

2
Packaging

Packaging

1 Individually Boxed (Toilet Risers)
2 1 Pair, Boxed (Faucet Risers)

For PEX Risers (Bulk Packed):

K1 Individually Boxed (Toilet Risers)
K2 1 Pair, Boxed (Faucet Risers)

WATER SUPPLY CONNECTORS

BrassCraft®

37

PART NO.	UPC	DESCRIPTION	LENGTH	QTY	LBS
Faucet - 1-Piece With Insert					
1-12A C †	026613002576	3/8" OD	12"	100	11.9
1-12A R †	026613042343	3/8" OD	12"	100	11.9
1-15A C †	026613042688	3/8" OD	15"	100	14.7
1-20A C †	026613042992	3/8" OD	20"	100	19.5
1-20A R †	026613043036	3/8" OD	20"	100	19.5
1-30A C †	026613043302	3/8" OD	30"	50	14.5
1-30A R †	026613043340	3/8" OD	30"	50	14.5
1-36A C †	026613043425	3/8" OD	36"	50	17.3
1-36A R †	026613043456	3/8" OD	36"	50	17.3
3-12A C †	026613043715	1/2" OD	12"	50	8.9
3-12A R †	026613043753	1/2" OD	12"	50	8.9
3-15A C	026613043951	1/2" OD	15"	50	10.9
3-20A C †	026613044026	1/2" OD	20"	50	14.3
3-20A R †	026613044057	1/2" OD	20"	50	14.3
3-30A C †	026613044163	1/2" OD	30"	25	10.8
3-30A R †	026613044187	1/2" OD	30"	25	10.8
3-36A C †	026613044217	1/2" OD	36"	25	13.0

**Faucet - Flared With Rubber Washer & Brass Ring**

F1-17C C	026613044620	3/8" OD	17"	100	16.6
F1-20C R	026613044682	3/8" OD	20"	100	19.6

**Faucet - Compression With KC Nosepiece**

1-12KC C †	026613003795	3/8" OD	12"	50	7.5
1-12KC R †	026613042572	3/8" OD	12"	50	7.5
1-15KC C	026613042787	3/8" OD	15"	50	9.0
1-15KC R	026613042794	3/8" OD	15"	50	9.0
1-20KC C †	026613003801	3/8" OD	20"	50	11.3
1-20KC R †	026613043241	3/8" OD	20"	50	11.3
3-12KC C †	026613043906	1/2" OD	12"	50	10.1

**Faucet - 1/2" MIP With 1/4" FIP Tapped**

1-12K C	026613042596	3/8" OD	12"	50	10.0
1-20K C	026613043265	3/8" OD	20"	50	13.7

**Faucet - Sweat**

1-12KA C †	026613042510	3/8" OD	12"	50	5.7
1-12KA R †	026613042534	3/8" OD	12"	50	5.7
1-20KA R †	026613043203	3/8" OD	20"	50	9.5



† Denotes faucet risers are available boxed, 1 pair.
NOTE: Actual riser length to connect less 1/2"

www.brasscraft.com

RISERS



PART NO.	UPC	DESCRIPTION	LENGTH	QTY	LBS
Faucet - Sweat 1-Piece With Shank Nut					
CS600 R †	026613002675	1/2" OD	12"	50	9.3

**Faucet - PEX**

P1-12A	026613044859	3/8" OD	12"	100	4.4
P1-20A	026613044910	3/8" OD	20"	100	5.0
P1-30A	026613044958	3/8" OD	30"	50	4.2
P1-36A	026613044965	3/8" OD	36"	50	5.1

**Toilet - PEX**

P1-12DL	026613044873	3/8" OD	12"	100	3.6
P1-15DL	026613044903	3/8" OD	15"	100	5.0
P1-20DL	026613044934	3/8" OD	20"	100	5.6

**Toilet - With Gasket Nosepiece**

1-12DL C	026613002613	3/8" OD	12"	100	12.0
1-15DL C	026613042756	3/8" OD	15"	100	14.9
1-20DL C	026613043135	3/8" OD	20"	50	10.0
3-12DL C	026613043821	1/2" OD	12"	50	8.0

**Toilet - With Heavy Duty Rubber Nosepiece**

1-12DE C	026613042398	3/8" OD	12"	50	6.6
1-20DE C	026613043081	3/8" OD	20"	50	10.5
3-12DE C	026613043791	1/2" OD	12"	50	8.1

**Toilet - Flared With Rubber Washer & Brass Ring**

F1-11E C	026613044521	3/8" OD	11"	100	12.2
----------	--------------	---------	-----	-----	------

† Denotes faucet risers are available boxed, 1 pair.
NOTE: Actual riser length to connect less 1/2"

BrassCraft®

Speedi Plumb® PLUS Connector is a Corrosion Resistant Water Connector.

- Corrosion Resistant
- No Kinking or Crimping



FLEXIBLE POLYMER BRAIDED CONNECTORS



FLEXIBLE POLYMER BRAIDED CONNECTORS

WATER SUPPLY CONNECTORS

BrassCraft®

41

PART NO.	UPC	DESCRIPTION	LENGTH	QTY	LBS
Faucet - Compression					
B1-12A F	026613966168	3/8" Comp x 1/2" FIP	12"	25	4.2
B1-16A F	026613966151	3/8" Comp x 1/2" FIP	16"	25	4.9
B1-20A F	026613966199	3/8" Comp x 1/2" FIP	20"	25	5.5
B1-24A F	026613118635	3/8" Comp x 1/2" FIP	24"	25	7.2
B1-30A F	026613966922	3/8" Comp x 1/2" FIP	30"	25	8.0
B1-36A F	026613966946	3/8" Comp x 1/2" FIP	36"	25	9.2
B1-48A F	026613104232	3/8" Comp x 1/2" FIP	48"	25	11.0
B1-60A F	026613104492	3/8" Comp x 1/2" FIP	60"	10	5.8
B2-12A F	026613965987	7/16" Comp x 1/2" FIP	12"	25	5.1
B2-20A F	026613966007	7/16" Comp x 1/2" FIP	20"	25	6.2
B3-12A F	026613965901	1/2" Comp x 1/2" FIP	12"	25	4.9
B3-16A F	026613965840	1/2" Comp x 1/2" FIP	16"	25	5.5
B3-20A F	026613965918	1/2" Comp x 1/2" FIP	20"	25	6.1
B3-30A F	026613966939	1/2" Comp x 1/2" FIP	30"	25	8.7



Faucet - FIP					
B8-12A F	026613966052	1/2" FIP x 1/2" FIP	12"	25	4.8
B8-16A F	026613966069	1/2" FIP x 1/2" FIP	16"	25	5.4
B8-20A F	026613966076	1/2" FIP x 1/2" FIP	20"	25	6.1
B8-24A F	026613104317	1/2" FIP x 1/2" FIP	24"	25	7.8
B8-30A F	026613966977	1/2" FIP x 1/2" FIP	30"	25	8.8
B8-36A F	026613966984	1/2" FIP x 1/2" FIP	36"	25	9.7



Faucet - Flare					
BF1-12A F	026613966649	3/8" Flare x 1/2" FIP	12"	25	4.5
BF1-16A F	026613966663	3/8" Flare x 1/2" FIP	16"	25	5.6
BF1-20A F	026613966687	3/8" Flare x 1/2" FIP	20"	25	5.8



Faucet - Compression x KC Nosepiece					
B1-12KC F	026613966229	3/8" Comp x 3/8" Comp	12"	25	4.1
B1-16KC F	026613105017	3/8" Comp x 3/8" OD Comp	16"	25	5.4
B1-20KC F	026613966243	3/8" Comp x 3/8" OD Comp	20"	25	5.4



Toilet - Compression					
B1-6DL F	026613966762	3/8" Comp x 7/8" Ballcock	6"	25	3.3
B1-9DL F	026613966748	3/8" Comp x 7/8" Ballcock	9"	25	3.6
B1-12DL F	026613966311	3/8" Comp x 7/8" Ballcock	12"	25	3.8
B1-16DL F	026613966342	3/8" Comp x 7/8" Ballcock	16"	25	4.4
B1-20DL F	026613966373	3/8" Comp x 7/8" Ballcock	20"	25	5.1
B2-12DL F	026613966786	7/16" Comp x 7/8" Ballcock	12"	25	4.1
B2-20DL F	026613966571	7/16" Comp x 7/8" Ballcock	20"	25	5.5
B3-9DL F	026613966809	1/2" Comp x 7/8" Ballcock	9"	25	9.3
B3-12DL F	026613966823	1/2" Comp x 7/8" Ballcock	12"	25	4.4
B3-20DL F	026613966847	1/2" Comp x 7/8" Ballcock	20"	25	5.7



FLEXIBLE POLYMER BRAIDED CONNECTORS

www.brasscraft.com

PART NO.	UPC	DESCRIPTION	LENGTH	QTY	LBS
----------	-----	-------------	--------	-----	-----

**Toilet - Compression (cont.)**

B1-12DLM F	026613104201	3/8" Comp x 7/8" Ballcock With Metal Nut	12"	25	5.8
------------	--------------	--	-----	----	-----

Toilet - FIP

B8-9DL F	026613966878	1/2" FIP x 7/8" Ballcock	9"	25	9.3
B8-12DL F	026613966892	1/2" FIP x 7/8" Ballcock	12"	25	4.3
B8-16DL F	026613966915	1/2" FIP x 7/8" Ballcock	16"	25	5.0
B8-20DL F	026613966403	1/2" FIP x 7/8" Ballcock	20"	25	5.6

Toilet - Flare

BF1-12DL F	026613966427	3/8" Flare x 7/8" Ballcock	12"	25	4.0
BF1-16DL F	026613104348	3/8" Flare x 7/8" Ballcock	16"	25	5.2
BF1-20DL F	026613966441	3/8" Flare x 7/8" Ballcock	20"	25	6.0
BF3-12DL F	026613966595	1/2" Flare x 7/8" Ballcock	12"	25	4.7



BF3-12DLM F	026613127835	1/2" Flare x 7/8" Ballcock With Metal Nut	12"	25	6.7
-------------	--------------	---	-----	----	-----



BF3-16DL F	026613104362	1/2" Flare x 7/8" Ballcock	16"	25	5.9
BF3-20DL F	026613104379	1/2" Flare x 7/8" Ballcock	20"	25	6.7

Toilet - Compression For Low Boy Toilets

BL3-6DL F	026613097596	1/2" Comp x 7/8" Ballcock	6"	10	1.9
BL3-12DL F	026613097565	1/2" Comp x 7/8" Ballcock	12"	10	2.5

Washing Machine - Female Hose Thread

BL12-48WA F	026613105499	3/4" Female Hose Thread x 3/4" Female Hose Thread	48"	25	17.5
BL12-60WA F	026613142609	3/4" Female Hose Thread x 3/4" Female Hose Thread	60"	25	20.2
BL12-72WA F	026613104829	3/4" Female Hose Thread x 3/4" Female Hose Thread	72"	25	22.9
BL12-48WA P	026613142043	3/4" Female Hose Thread x 3/4" Female Hose Thread	48"	10	7.1
BL12-60WA P	026613142050	3/4" Female Hose Thread x 3/4" Female Hose Thread	60"	10	8.2
BL12-72WA P	026613142067	3/4" Female Hose Thread x 3/4" Female Hose Thread	72"	10	9.3

Dishwasher - Compression

B1-12DW F	026613104218	3/8" Comp x 3/8" Comp	12"	10	4.2
B1-16DW F	026613104263	3/8" Comp x 3/8" Comp	16"	10	2.3
B1-20DW F	026613104270	3/8" Comp x 3/8" Comp	20"	10	2.0
B1-36DW F	026613104409	3/8" Comp x 3/8" Comp	36"	10	8.1
B1-48DW F	026613104416	3/8" Comp x 3/8" Comp	48"	10	10.4
B1-60DW F	026613104423	3/8" Comp x 3/8" Comp	60"	10	5.6
B1-72DW F	026613104430	3/8" Comp x 3/8" Comp	72"	10	6.3

WATER SUPPLY CONNECTORS



PART NO.	UPC	DESCRIPTION	LENGTH	QTY	LBS
Dishwasher - Compression (cont.)					
B1-120DW F	026613134314	3/8" Comp x 3/8" Comp	120"	25	22.5
B1-48DW6 F	026613142425	3/8" Comp x 3/8" Comp With 3/8" MIP Elbow	48"	25	13.0
B1-60DW6 F	026613142432	3/8" Comp x 3/8" Comp With 3/8" MIP Elbow	60"	25	14.9
B1-72DW6 F	026613142449	3/8" Comp x 3/8" Comp With 3/8" MIP Elbow	72"	25	16.8
B1-48DW6 P	026613141787	3/8" Comp x 3/8" Comp With 3/8" MIP Elbow	48"	10	5.7
B1-60DW6 P	026613141794	3/8" Comp x 3/8" Comp With 3/8" MIP Elbow	60"	10	6.5
B1-72DW6 P	026613141800	3/8" Comp x 3/8" Comp With 3/8" MIP Elbow	72"	10	7.2
B3-48DW F	026613966960	1/2" Comp x 1/2" FIP	48"	10	5.3
BL3-48DW F	026613104461	1/2" Comp x 1/2" Comp	48"	10	6.3
BL3-60DW F	026613104478	1/2" Comp x 1/2" Comp	60"	10	7.6
BL3-72DW F	026613104485	1/2" Comp x 1/2" Comp	72"	10	5.7
Dishwasher - FIP					
B8-48DW F	026613104447	1/2" FIP x 1/2" FIP	48"	10	5.3
B8-60DW F	026613966953	1/2" FIP x 1/2" FIP	60"	10	6.0
B8-48DW6 P	026613141817	1/2" FIP x 3/8" Comp With 3/8" MIP Elbow	48"	10	5.9
B8-60DW6 P	026613141824	1/2" FIP x 3/8" Comp With 3/8" MIP Elbow	60"	10	6.7
Dishwasher - Garden Hose Elbow					
B1-60DW1 P	026613141169	3/8" Comp x 3/4" Garden Hose Elbow (Crimped)	60"	10	17.0
B1-72DW1 P	026613141176	3/8" Comp x 3/4" Garden Hose Elbow (Crimped)	72"	10	16.7
B1-60DW12 F	026613142463	3/8" Comp x 3/8" Comp With 3/4" Garden Hose Elbow	60"	25	15.8
B1-72DW12 F	026613142470	3/8" Comp x 3/8" Comp With 3/4" Garden Hose Elbow	72"	25	17.7
B1-48DW12 P	026613141756	3/8" Comp x 3/8" Comp With 3/4" Garden Hose Elbow	48"	10	6.1
B1-60DW12 P	026613141763	3/8" Comp x 3/8" Comp With 3/4" Garden Hose Elbow	60"	10	6.8
B1-72DW12 P	026613141770	3/8" Comp x 3/8" Comp With 3/4" Garden Hose Elbow	72"	10	7.6
Dishwasher - Kit					
B1U-48DW612 D	026613140797	3/8" Comp x 3/8" Comp With 1/2" IP and 1/2" Comp Stop Adaptors, 3/8" MIP and 3/4" Garden Hose Elbows	48"	10	8.5
B1U-72DW612 D	026613160528	3/8" Comp x 3/8" Comp With 1/2" IP and 1/2" Comp Stop Adaptors, 3/8" MIP and 3/4" Garden Hose Elbows	72"	5	5.0

FLEXIBLE POLYMER BRAIDED CONNECTORS

www.brasscraft.com



PART NO.	UPC	DESCRIPTION	LENGTH	QTY	LBS
Ice Maker/Humifier/Water Filter					
B0-12IM F	026613104836	1/4" Comp x 1/4" Comp	12"	25	3.4
B0-60IM F	026613142531	1/4" Comp x 1/4" Comp	60"	25	10.8
B0-72IM F	026613142616	1/4" Comp x 1/4" Comp	72"	25	11.8
B0-60IM P	026613142005	1/4" Comp x 1/4" Comp	60"	10	4.8
B0-72IM P	026613142012	1/4" Comp x 1/4" Comp	72"	10	5.2
B0-84IM P	026613142029	1/4" Comp x 1/4" Comp	84"	10	5.6
B0-96IM P	026613142036	1/4" Comp x 1/4" Comp	96"	10	6.0
B0-120IM P	026613141992	1/4" Comp x 1/4" Comp	120"	10	6.9

WATER SUPPLY CONNECTORS



PART NO.	UPC	DESCRIPTION	LENGTH	QTY	LBS
----------	-----	-------------	--------	-----	-----

Flexible Water Connectors Display Rack

BC8500		Speedi Plumb PLUS/Speedi Plumb Display Rack 18" Wide x 12" Deep		1	6.4
--------	--	---	--	---	-----



BC8504		Speedi Plumb Display Rack 18" Wide x 12" Deep		1	6.4
--------	--	---	--	---	-----



BRAIDED/VINYL FLEXIBLE CONNECTORS

www.brasscraft.com

PART NO.	UPC	DESCRIPTION	LENGTH	FINISH	QTY	LBS
Faucet - Compression x Compression - Angle						
OCR1912AX C	026613140193	1/2" Nom Comp x 3/8" OD Comp	12"	Chrome	25	21.0
OCR1912AX R	026613153254	1/2" Nom Comp x 3/8" OD Comp	12"	Rough	25	22.7
OCR1915AX C	026613140209	1/2" Nom Comp x 3/8" OD Comp	15"	Chrome	25	24.2
OCR1920AX C	026613140216	1/2" Nom Comp x 3/8" OD Comp	20"	Chrome	25	26.5
OCR3912AX C	026613153407	1/2" Nom Comp x 1/2" OD Comp	12"	Chrome	25	25.5
OCR3920AX C	026613153414	1/2" Nom Comp x 1/2" OD Comp	20"	Chrome	25	32.7
OCR3920AX R	026613153421	1/2" Nom Comp x 1/2" OD Comp	20"	Rough	25	33.7



Faucet - Compression x Compression With KC Nosepiece - Angle						
OCR1912KCXC C	026613153261	1/2" Nom Comp x 3/8" OD Comp	12"	Chrome	25	22.4
OCR1912KCXR R	026613153278	1/2" Nom Comp x 3/8" OD Comp	12"	Rough	25	24.2



Faucet - Compression x Compression - Angle						
OCR1920CX C	026613153292	1/2" Nom Comp x 3/8" OD Comp	20"	Chrome	25	26.6



Faucet - FIP x Compression - Angle						
OR1512AX C	026613153483	3/8" FIP x 3/8" OD Comp	12"	Chrome	25	19.4
OR1712AX C	026613140223	1/2" FIP x 3/8" OD Comp	12"	Chrome	25	20.9
OR1715AX C	026613139951	1/2" FIP x 3/8" OD Comp	15"	Chrome	25	24.1
OR1720AX C	026613140162	1/2" FIP x 3/8" OD Comp	20"	Chrome	25	27.3



Faucet - FIP x Flare - Angle						
OFR1717CX C	026613153469	1/2" FIP x 3/8" OD Flare	17"	Chrome	25	26.6



Faucet - Sweat x Compression - Angle						
R1912AX C	026613153728	1/2" Nom Sweat x 3/8" OD Comp	12"	Chrome	25	22.5
R1912AX R	026613153735	1/2" Nom Sweat x 3/8" OD Comp	12"	Rough	25	22.9
R1920AX C	026613153759	1/2" Nom Sweat x 3/8" OD Comp	20"	Chrome	25	29.7



Faucet - Sweat x Compression With Sweat Riser - Angle						
R1912KAX R	026613153742	1/2" Nom Sweat x 3/8" OD Comp	12"	Rough	25	22.1



■ Denotes best selling Supply Kits.
 NOTE: All faucet connections come 2pc per pack

SUPPLY KITS

PART NO.	UPC	DESCRIPTION	LENGTH	FINISH	QTY	LBS
----------	-----	-------------	--------	--------	-----	-----

Faucet - Sweat x Flare - Angle

FR1911CX C	026613152967	1/2" Nom Sweat x 3/8" OD Flare	11"	Chrome	50	44.1
FR1917CX C	026613152974	1/2" Nom Sweat x 3/8" OD Flare	17"	Chrome	25	27.1



Faucet - 1/4 Turn Ball 5" Sweat Extension Tube x Compression - Angle

KTCS400AX C	026613153179	1/2" Nom Sweat x 3/8" OD Comp	12"	Chrome	25	27.7
-------------	--------------	-------------------------------	-----	--------	----	------



Faucet - 5" Sweat Extension x Compression - Angle

CS400AX C	026613152912	1/2" Nom Sweat x 3/8" OD Comp	12"	Chrome	25	25.9
CS425AX C	026613152936	1/2" Nom Sweat x 3/8" OD Comp	20"	Chrome	25	31.5



Faucet - 5" Sweat Extension x Compression - Straight

CS407AX C	026613152929	1/2" Nom Sweat x 3/8" OD Comp	30"	Chrome	20	32.0
-----------	--------------	-------------------------------	-----	--------	----	------



△Faucet - CPVC Solvent Weld x Compression - Angle

PR1920AX C	026613153568	1/2" Nom CPVC x 3/8" OD Comp	20"	Chrome	25	31.0
------------	--------------	------------------------------	-----	--------	----	------



Toilet - 1/4 Turn Compression x Compression - Angle

G2CR1912DLX C	026613155029	1/2" Nom Comp x 3/8" OD Comp	12"	Chrome	50	23.8
---------------	--------------	------------------------------	-----	--------	----	------



Toilet - Compression x Compression - Angle

OCR1912DLX C	026613154817	1/2" Nom Comp x 3/8" OD Comp	12"	Chrome	50	23.6
OCR1920DLX C	026613154886	1/2" Nom Comp x 3/8" OD Comp	20"	Chrome	25	15.9
OCR1912DEX C	026613154978	1/2" Nom Comp x 3/8" OD Comp	12"	Chrome	50	23.8
OCR1912EX C	026613154985	1/2" Nom Comp x 3/8" OD Comp	12"	Chrome	50	24.2



■ Denotes best selling Supply Kits.

△ CPVC pre-torqued fittings eliminate the need for tightening on the job.
NOTE: All faucet connections come 2pc per pack

www.brasscraft.com

SUPPLY KITS - FAUCET & TOILET



PART NO.	UPC	DESCRIPTION	LENGTH	FINISH	QTY	LBS
Toilet - Compression x Compression - Straight						
OCR1412DLX C	026613154718	1/2" Nom Comp x 3/8" OD Comp	12"	Chrome	50	26.8



Toilet - FIP x Compression - Angle						
OR1512DLX C	026613154749	3/8" FIP x 3/8" OD Comp	12"	Chrome	50	24.9
OR1712DLX C	026613154732	1/2" FIP x 3/8" OD Comp	12"	Chrome	50	23.5
OR1715DLX C	026613154756	1/2" FIP x 3/8" OD Comp	15"	Chrome	50	28.1



Toilet - FIP x Compression - Straight						
OR1012DLX C	026613154688	3/8" FIP x 3/8" OD Comp	12"	Chrome	50	24.9



Toilet - FIP x Flare - Angle						
OFR1711EX C	026613157511	1/2" FIP x 3/8" OD Flare	11"	Chrome	50	24.4



Toilet - Sweat x Compression - Angle						
R1912DLX C	026613154763	1/2" Nom Sweat x 3/8" OD Comp	12"	Chrome	50	25.1



Toilet - Sweat x Flare Stop - Angle						
FR3911EX C	026613154602	1/2" Nom Sweat x 1/2" OD Flare	11"	Chrome	50	28.8



Toilet - 1/4 Turn Ball 5" Sweat Extension Tube x Compression - Angle						
KTCS401DLX C	026613154794	1/2" Nom Sweat x 3/8" OD Comp	12"	Chrome	50	28.5
KTCS403DLX C	026613154992	1/2" Nom Sweat x 3/8" OD Comp	12"	Chrome	50	28.2

■ Denotes best selling Supply Kits.
NOTE: All faucet connections come 2pc per pack

SUPPLY KITS



PART NO.	UPC	DESCRIPTION	LENGTH	FINISH	QTY	LBS
Toilet - 5" Sweat Extension Tube x Compression - Angle						
CS401DLX C	026613154848	1/2" Nom Sweat x 3/8" OD Comp	12"	Chrome	50	28.5



Toilet - 5" Sweat Extension Tube x Compression - Straight						
CS403DLX C	026613154824	1/2" Nom Sweat x 3/8" OD Comp	12"	Chrome	50	30.1



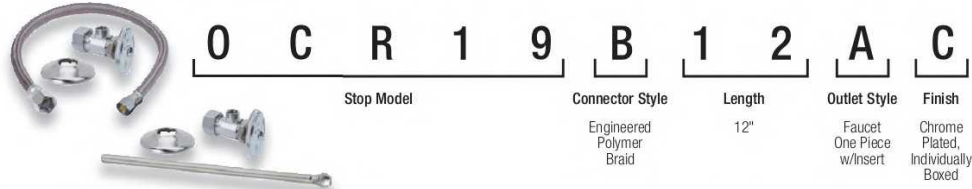
NOTE: All faucet connections come 2pc per pack

www.brasscraft.com

SUPPLY KITS - FAUCET & TOILET

Part Numbering System

Example:



OCR19

Stop Model

Stop Model

See Stop Part Numbering, Pages 10, 15 and 21

B

Connector Style

Connector Style

Copper Connector (No Prefix)

B Engineered Polymer Braid

1 2

Length

Length

For Faucet:

12 12"
15 15"
20 20"

For Toilet:

12 12"
15 15"
20 20"

For Flare:

11 11"
17 17"

For Flare:
11 11"

Engineered Polymer Braid

For Faucet:

12 12"
16 16"
20 20"

For Toilet:

12 12"
16 16"

A

Outlet Style

Outlet Style

A Faucet - One Piece w/Insert
C Faucet - Rubber Washer w/Brass Ring
KA Faucet - Sweat
KC Faucet - Compression
DL Toilet - w/Gasket Nosepiece
E Toilet - Rubber Washer w/Brass Ring

For Engineered Polymer Braid

A Faucet - 1/2" FIP, Metal Nut
DL Toilet - 7/8" Ballcock, Plastic Nut

Z

Option (Modifier)

Option

Z Brass Stem

For Engineered Polymer Braid

Z Brass Stem

C

Finish

Packaging

C Chrome Plated, Individually Boxed
R Rough / Unplated, Individually Boxed

For Engineered Polymer Braid

C Chrome Plated, Individually Bagged
R Rough / Unplated, Individually Bagged

** Numbering system does not apply to Sweat Extension Supply Kits

SUPPLY KITS

BrassCraft®

51

PART NO.	UPC	DESCRIPTION	LENGTH	FINISH	QTY	LBS
Faucet - 1/4 Turn Ball Compression x Compression Angle Stop, Compression x FIP Braided Connector						
KTCR19B12AX C	026613153162	1/2" Nom Comp x 3/8" OD Comp 3/8" Comp x 1/2" FIP	12"	Chrome	50	23.9
KTCR19B16AX C	026613140100	1/2" Nom Comp x 3/8" OD Comp 3/8" Comp x 1/2" FIP	16"	Chrome	50	25.2
KTCR19B20AX C	026613140094	1/2" Nom Comp x 3/8" OD Comp 3/8" Comp x 1/2" FIP	20"	Chrome	50	26.5



Faucet - 1/4 Turn Compression x Compression Angle Stop, Compression x FIP Braided Connector						
G2CR19B12AX C	026613140049	1/2" Nom Comp x 3/8" OD Comp 3/8" Comp x 1/2" FIP	16"	Chrome	50	22.8
G2CR19B20AX C	026613140032	1/2" Nom Comp x 3/8" OD Comp 3/8" Comp x 1/2" FIP	20"	Chrome	50	24.1



Faucet - Compression x Compression Angle Stop, Compression x FIP Braided Connector						
OCR19B12AX C	026613153308	1/2" Nom Comp x 3/8" OD Comp 3/8" Comp x 1/2" FIP	12"	Chrome	50	22.0
OCR19B16AX C	026613140148	1/2" Nom Comp x 3/8" OD Comp 3/8" Comp x 1/2" FIP	16"	Chrome	50	23.2
OCR19B20AX C	026613140124	1/2" Nom Comp x 3/8" OD Comp 3/8" Comp x 1/2" FIP	20"	Chrome	50	24.5



Faucet - FIP x Compression Angle Stop, Compression x FIP Braided Connector						
OR15B20AX C	026613153506	3/8" FIP x 3/8" OD Comp 3/8" Comp x 1/2" FIP	20"	Chrome	50	22.3
OR17B12AX C	026613157870	1/2" FIP x 3/8" OD Comp 3/8" Comp x 1/2" FIP	12"	Chrome	50	27.3
OR17B16AX C	026613157887	1/2" FIP x 3/8" OD Comp 3/8" Comp x 1/2" FIP	16"	Chrome	50	21.2
OR17B20AX C	026613157894	1/2" FIP x 3/8" OD Comp 3/8" Comp x 1/2" FIP	20"	Chrome	50	24.6



Faucet -Dual Outlet Compression x Compression x Compression Stop, Compression x FIP - Braided Connector						
CR1901LRB20AX C	026613140087	1/2" Nom Comp x 3/8" OD Comp x 3/8" OD Comp 3/8" Comp x 1/2" FIP	20"	Chrome	50	28.4



Toilet - 1/4 Turn Ball Compression x Compression Angle Stop, Compression x Ballcock Braided Connector						
KTCR19B12DLX C	026613154800	1/2" Nom Comp x 3/8" OD Comp 3/8" Comp x 7/8" Ballcock	12"	Chrome	50	23.0
KTCR19B12DLMX C	026613155043	1/2" Nom Comp x 3/8" OD Comp With Metal Nut 3/8" Comp x 7/8" Ballcock	12"	Chrome	50	26.0



www.brasscraft.com

FLEXIBLE POLYMER BRAIDED SUPPLY KITS - FAUCET & TOILET



PART NO.	UPC	DESCRIPTION	LENGTH	FINISH	QTY	LBS
Toilet - 1/4 Turn Compression x Compression Angle Stop, Compression x Ballcock Braided Connector						
G2CR19B12DLX C	026613155036	1/2" Nom Comp x 3/8" OD Comp 3/8" Comp x 7/8" Ballcock	12"	Chrome	50	20.7



Toilet - Compression x Compression Angle Stop, Compression x Ballcock Braided Connector						
OCR19B12DLX C	026613154831	1/2" Nom Comp x 3/8" OD Comp 3/8" Comp x 7/8" Ballcock	12"	Chrome	50	21.1
OCR19B12DLMX C	026613155067	1/2" Nom Comp x 3/8" OD Comp With Metal Nut 3/8" Comp x 7/8" Ballcock	12"	Chrome	50	24.0



Toilet - FIP x Compression Angle Stop, Compression x Ballcock Braided Connector						
OR17B12DLX C	026613154640	1/2" FIP x 3/8" OD Comp 3/8" Comp x 7/8" Ballcock	12"	Chrome	50	21.1



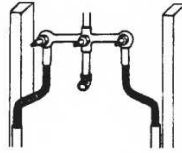
Toilet - Sweat x Compression Angle Stop, Compression x Ballcock Braided Connector						
R19B12DLX C	026613155258	1/2" Nom Sweat x 3/8" OD Comp 3/8" Comp x 7/8" Ballcock	12"	Chrome	50	22.1

WATER CONNECTORS



Kwik-In™ Tub & Shower Connectors

Install Tub and Shower Fixtures without Fittings. Align the valve with the fixture on remodeling jobs or in new work with Kwik-In™ corrugated connectors. The one-piece design, constructed of 5/8" OD x 15" copper tubing, eliminates the need for one or more fittings. They provide flexibility behind the wall allowing for easier installation, and are IAPMO listed for behind-the-wall use.



PART NO.	UPC	DESCRIPTION	LENGTH	FINISH	QTY	LBS
Kwik-In™ Tub & Shower Connectors						
WD65-15	026613008493	1/2" Nom Male Sweat x 1/2" Nom Female Sweat			24	6.8



Copper Tubing - Dead Soft - Chrome Plated Slip Tube

1-12 C	026613041087	3/8" OD x 12" Long Slip Tube			100	11.4
3360 C	026613041230	3/8" OD x 36" Long Slip Tube			64	22.9
1-72 C	026613041148	3/8" OD x 72" Long Slip Tube			20	15.4
3362 C	026613041254	1/2" OD x 36" Long Slip Tube			50	28.2



www.brasscraft.com

WATER CONNECTORS

Tankless Water Heater Installation Kits

As the world leader in gas and water products, BrassCraft®'s tankless water heater installation kits are no exception. Our tankless water heater installation kits simplify the installation process with fewer connections and a clean, professional finish. Featuring independent, 1/4 turn water control, BrassCraft service valves make it simple to service and test the appliance.

Large Capacity Gas Connector with exclusive ProCoat® corrosion resistant coating

Built-In Port for PR Valve reduces the number of connections required

Integrated Drain Valve with independent, 1/4 turn operation

Right-Sized Handles color coded and great for tight installations



BrassCraft's Tankless Water Heater kits offer a wide range of features including:

- One-Piece, Forged Brass Body
- Drain Valve with Brass Safety Cap
- 3/4" ID Coated Stainless Steel Gas Connector
- Available in Sweat & IPS Configurations
- Optional Full-Port Gas Ball Valve



TANKLESS WATER HEATER INSTALLATION KITS

PART NO.	UPC	DESCRIPTION	FINISH	QTY	LBS
----------	-----	-------------	--------	-----	-----

Service Valve Kits



TWV30X	026613141350	IPS x IPS Service Valve Kit		6	7.8
--------	--------------	-----------------------------	--	---	-----



TWV3SX	026613141411	Sweat x IPS Service Valve Kit		6	8.5
--------	--------------	-------------------------------	--	---	-----

Service Valve Kits with PRV



TWV30RX	026613141343	IPS x IPS Service Valve Kit with Pressure Relief Valve (200 kBtu/hr)		6	10.8
---------	--------------	--	--	---	------

INSTALLATION KITS



PART NO.	UPC	DESCRIPTION	FINISH	QTY	LBS
Service Valve Kits with PRV (cont.)					
TWV3SRX	026613141404	Sweat x IPS Service Valve Kit with Pressure Relief Valve (200 kBtu/hr)		6	11.5
Service Valve Kits with Gas Connector					
TK30RB21-18X	026613141367	IPS x IPS Service Valve Kit with 3/4" ID (3/4" FIP x 3/4" MIP) x 18" Yellow Coated Gas Connector & PR Valve		3	10.8
TK30RB21-24X	026613141374	IPS x IPS Service Valve Kit with 3/4" ID (3/4" FIP x 3/4" MIP) x 24" Yellow Coated Gas Connector & PR Valve		3	11.1
TK3SRB21-18X	026613141923	Sweat x IPS Service Valve Kit with 3/4" ID (3/4" FIP x 3/4" MIP) x 18" Yellow Coated Gas Connector & PR Valve		3	11.2
TK3SRB21-24X	026613141930	Sweat x IPS Service Valve Kit with 3/4" ID (3/4" FIP x 3/4" MIP) x 24" Yellow Coated Gas Connector & PR Valve		3	11.5
Service Valve Kits with Gas Connector & Gas Ball Valve					
TK30RB21-18G3X	026613141381	IPS x IPS Service Valve Kit with 3/4" ID (3/4" FIP x 3/4" MIP) x 18" Yellow Coated Gas Connector, 3/4" Full-Port Gas Ball Valve & PR Valve		3	12.8
TK30RB21-24G3X	026613141398	IPS x IPS Service Valve Kit with 3/4" ID (3/4" FIP x 3/4" MIP) x 24" Yellow Coated Gas Connector, 3/4" Full-Port Gas Ball Valve & PR Valve		3	13.1



TANKLESS WATER HEATER INSTALLATION KITS

www.brasscraft.com

Speedi Plumb® PLUS
Engineered Polymer Water Heater Connectors

Superior Flexibility, Superior Corrosion Resistance



No Kinking, No Crimping

The patented polymer braided jacket is specially engineered to allow the connector to bend freely without kinking or crimping. Easy to install, the connector won't work harden with repeated bending.

Advanced Corrosion Resistance

The polymer braid is specially engineered to resist corrosion from harsh household cleaning and repair products.

No Dielectric Union Needed

The engineered polymer braid and rubber core are non-conductive materials and therefore eliminate the need for a dielectric union.

Less Torque to Seal

Rubber washer is easier to install on rough nipple surfaces.

Longer Connector Nuts


A greater number of thread-to-thread contact provides a better seal to lined nipples.




FLEXIBLE POLYMER BRAIDED WATER HEATER CONNECTORS

PART NO.	UPC	DESCRIPTION	FINISH	QTY	LBS
----------	-----	-------------	--------	-----	-----


.57" ID Tube - FIP X FIP

 BWB0-12	026613965321	3/4" FIP x 3/4" FIP	12"	10	4.8
BWB0-15	026613965406	3/4" FIP x 3/4" FIP	15"	10	5.3

 BWB0-18	026613965413	3/4" FIP x 3/4" FIP	18"	10	5.8
---	--------------	---------------------	-----	----	-----





 BWB0-24	026613965420	3/4" FIP x 3/4" FIP	24"	10	6.9
---	--------------	---------------------	-----	----	-----

.57" ID Tube - FIP X Compression

 BWB05-18	026613120836	3/4" FIP x 5/8" OD Comp	18"	10	6.0
BWB08-18	026613965383	3/4" FIP x 7/8" OD Comp	18"	10	15.5
BWB08-24	026613965390	3/4" FIP x 7/8" OD Comp	24"	10	16.6

WATER HEATER CONNECTORS



PART NO.	UPC	DESCRIPTION	LENGTH	QTY	LBS	
.57" ID Tube - MIP X FIP						
BWB20-12	026613965437	3/4" MIP x 3/4" FIP	12"	10	5.2	
BWB20-15	026613965444	3/4" MIP x 3/4" FIP	15"	10	5.7	
BWB20-18	026613965451	3/4" MIP x 3/4" FIP	18"	10	6.3	
BWB20-24	026613965468	3/4" MIP x 3/4" FIP	24"	10	7.3	
.57" ID Tube - MIP x Compression						
BWB25-18	026613100333	3/4" MIP X 5/8" OD Comp	18"	10	6.3	
BWB28-18	026613965345	3/4" MIP x 7/8" OD Comp	18"	10	15.9	
BWB28-24	026613965352	3/4" MIP x 7/8" OD Comp	24"	10	17.0	
.57" ID Tube - FIP X PEX						
BWB0-18PX	026613107141	3/4" FIP x 3/4" Nom PEX Barb	18"	10	6.8	
.57" ID Tube - Push Connect x FIP						
BWB0PS-18	026613166469	3/4" Push Connect x 3/4" FIP	18"	10	7.5	
BWB0PS-24	026613166452	3/4" Push Connect x 3/4" FIP	24"	10	8.5	

FLEXIBLE POLYMER BRAIDED WATER HEATER CONNECTORS

www.brasscraft.com

Copper-Flex™ Water Heater Connectors

Patented Resistance Against Galvanic Corrosion



Internal Dielectric Sleeve

Effectively separates dissimilar metals within the waterway to prevent galvanic corrosion.

No Dielectric Union Needed

Dielectric sleeve eliminates the need for a dielectric union (plastic lined nipple).

Less Torque to Seal

Rubber washer is more resilient than PEX and easier to install on rough nipple surfaces.

Longer Connector Nuts

A greater number of thread-to-thread contact provides a better seal to lined nipples.

Available for PEX connections



CORRUGATED COPPER WATER HEATER CONNECTORS

PART NO.	UPC	DESCRIPTION	LENGTH	QTY	LBS
7/8" OD Tube - FIP X FIP					
WB00-12N	026613089287	3/4" FIP x 3/4" FIP	12"	25	10.3
WB00-15N	026613089300	3/4" FIP x 3/4" FIP	15"	25	11.9
WB00-18N	026613089331	3/4" FIP x 3/4" FIP	18"	25	13.8
WB00-24N	026613089348	3/4" FIP x 3/4" FIP	24"	25	17.4
WB10-18N	026613131504	1" FIP x 3/4" FIP	18"	25	17.1
7/8" OD Tube - FIP x Male Sweat					
WB03-15N	026613089379	3/4" FIP x 3/4" Nom Male Sweat (7/8" OD)	15"	25	10.3
WB03-18N	026613089386	3/4" FIP x 3/4" Nom Male Sweat (7/8" OD)	18"	25	12.2
WB03-24N	026613089393	3/4" FIP x 3/4" Nom Male Sweat (7/8" OD)	24"	25	15.8
7/8" OD Tube - FIP x Male/Female Sweat					
WB034-12N	026613089409	3/4" FIP x 3/4" Nom Male/Female Sweat (7/8" ID)	12"	25	8.7
WB034-15N	026613089416	3/4" FIP x 3/4" Nom Male/Female Sweat (7/8" ID)	15"	25	10.3
WB034-18N	026613089423	3/4" FIP x 3/4" Nom Male/Female Sweat (7/8" ID)	18"	25	12.2
WB034-24N	026613093710	3/4" FIP x 3/4" Nom Male/Female Sweat (7/8" ID)	24"	25	15.8
WB134-18N	026613110608	1" FIP x 3/4" Nom Male/Female Sweat (7/8" ID)	18"	25	15.5
WB134-24N	026613110615	1" FIP x 3/4" Nom Male/Female Sweat (7/8" ID)	24"	25	19.2

WARNING: For use with water in accessible locations only. DO NOT use with gas – gas will cause corrosion and leakage.

WATER HEATER CONNECTORS



PART NO.	UPC	DESCRIPTION	LENGTH	QTY	LBS	
7/8" OD Tube - FIP x PEX Barb						
WB07-18	026613048871	3/4" FIP x 3/4" PEX Barb (brass, pre-torqued)	18"	25	16.5	
WB07-24	026613100661	3/4" FIP x 3/4" PEX Barb (brass, pre-torqued)	24"	25	20.3	
7/8" OD Tube - FIP/MIP x PEX Barb						
WB27-18	026613107950	3/4" FIP/MIP x 3/4" PEX Barb (brass, pre-torqued)	18"	25	21.1	
7/8" OD Tube - FIP/MIP x FIP						
WB20-12N	026613108254	3/4" FIP/MIP x 3/4" FIP	12"	25	14.8	
WB20-15N	026613110394	3/4" FIP/MIP x 3/4" FIP	15"	25	16.5	
WB20-18N	026613097695	3/4" FIP/MIP x 3/4" FIP	18"	25	18.2	
WB20-24N	026613097701	3/4" FIP/MIP x 3/4" FIP	24"	25	21.9	
7/8" OD Tube - FIP/MIP x Male Sweat						
WB23-18N	026613094762	3/4" FIP/MIP x 3/4" Nom Male Sweat (7/8" OD)	18"	25	16.6	
7/8" OD Tube - FIP/MIP x Male/Female Sweat						
WB234-12N	026613093727	3/4" FIP/MIP x 3/4" Nom Male/Female Sweat (7/8" ID)	12"	25	13.2	
WB234-15N	026613093734	3/4" FIP/MIP x 3/4" Nom Male/Female Sweat (7/8" ID)	15"	25	14.9	
WB234-18N	026613093741	3/4" FIP/MIP x 3/4" Nom Male/Female Sweat (7/8" ID)	18"	25	16.6	
WB234-24N	026613093758	3/4" FIP/MIP x 3/4" Nom Male/Female Sweat (7/8" ID)	24"	25	20.3	
7/8" OD Tube - Female Sweat x Female Sweat						
WC44-12	026613008301	3/4" Nom Female Sweat (7/8" ID) x 3/4" Nom Female Sweat (7/8" ID)	12"	25	7.1	
WC44-15	026613008318	3/4" Nom Female Sweat (7/8" ID) x 3/4" Nom Female Sweat (7/8" ID)	15"	25	8.7	
WC44-18	026613008325	3/4" Nom Female Sweat (7/8" ID) x 3/4" Nom Female Sweat (7/8" ID)	18"	25	10.6	
WC44-24	026613008332	3/4" Nom Female Sweat (7/8" ID) x 3/4" Nom Female Sweat (7/8" ID)	24"	25	14.2	
WC66-12	026613008424	1/2" Nom Female Sweat (5/8" ID) x 1/2" Nom Female Sweat (5/8" ID)	12"	25	7.0	
7/8" OD Tube - Female Sweat x Male Sweat						
WC43-12	026613008264	3/4" Nom Female Sweat (7/8" ID) x 3/4" Nom Male Sweat (7/8" OD)	12"	25	7.1	
WC43-15	026613008271	3/4" Nom Female Sweat (7/8" ID) x 3/4" Nom Male Sweat (7/8" OD)	15"	25	8.7	
WC43-18	026613008288	3/4" Nom Female Sweat (7/8" ID) x 3/4" Nom Male Sweat (7/8" OD)	18"	25	10.6	
WC43-24	026613008295	3/4" Nom Female Sweat (7/8" ID) x 3/4" Nom Male Sweat (7/8" OD)	24"	25	14.2	
WC65-15	026613008394	1/2" Nom Female Sweat (5/8" ID) x 1/2" Nom Male Sweat (5/8" OD)	15"	25	8.6	
7/8" OD Tube - Male Sweat x Male Sweat						
WC33-18	026613008226	3/4" Nom Male Sweat (7/8" OD) x 3/4" Nom Male Sweat (7/8" OD)	18"	25	10.6	
WC33-24	026613008233	3/4" Nom Male Sweat (7/8" OD) x 3/4" Nom Male Sweat (7/8" OD)	24"	25	14.2	

CORRUGATED COPPER WATER HEATER CONNECTORS

www.brasscraft.com

ProCoat® Coated Stainless Steel Water Heater Connectors

Greater Flexibility, Superior Corrosion Resistance



Exclusive ProCoat® Clear Coat

Provides superior corrosion resistance to deterioration from harsh chemicals that can cause pin hole leaks.

Full Flow, Maximum Performance

With 3/4" full flow internal diameter, our connectors provide greater water flow without obstruction.

Integrated Dielectric Sleeve

Isolates dissimilar metals within the waterway, where galvanic and electrolytic corrosion have their greatest potential.

No Dielectric Union Needed

Integrated dielectric sleeve eliminates the need to install an additional dielectric union, reducing time and installation costs.

100% Leak Tested

Prior to coating application to ensure connector performance and reliability.



STAINLESS STEEL WATER HEATER CONNECTORS

PART NO.	UPC	DESCRIPTION	LENGTH	QTY	LBS
----------	-----	-------------	--------	-----	-----

3/4" ID Tube - FIP x FIP



SWB00-12N	026613142562	(3/4" ID) 3/4" FIP x 3/4" FIP	12"	25	7.9
SWB00-15N	026613142579	(3/4" ID) 3/4" FIP x 3/4" FIP	15"	25	9.0
SWB00-18N	026613142586	(3/4" ID) 3/4" FIP x 3/4" FIP	18"	25	10.2
SWB00-24N	026613142593	(3/4" ID) 3/4" FIP x 3/4" FIP	24"	25	12.5



SWB07-18N	026613156781	(3/4" ID) 3/4" FIP x 3/4" PEX	18"	25	12.9
-----------	--------------	-------------------------------	-----	----	------

3/4" ID Tube - Push Connect x FIP



SWB0PS-12N	026613166438	(3/4" ID) 3/4" Push Connect x 3/4" FIP	12"	25	12.1
SWB0PS-15N	026613166445	(3/4" ID) 3/4" Push Connect x 3/4" FIP	15"	25	13.3
SWB0PS-18N	026613165974	(3/4" ID) 3/4" Push Connect x 3/4" FIP	18"	25	14.3
SWB0PS-24N	026613166421	(3/4" ID) 3/4" Push Connect x 3/4" FIP	24"	25	16.6

WARNING: For use with water in accessible locations only. DO NOT use with gas – gas will cause corrosion and leakage.

WATER HEATER CONNECTORS



PART NO.	UPC	DESCRIPTION	LENGTH	QTY	LBS
Adaptors					
WRU-12-12X	026613154213	Male Adaptor 3/4-14 Straight Male Pipe Thread x 3/4" MIP		200	36.8
Pipe Reducer Bushings					
PRB-12-8X	026613151281	3/4" MIP x 1/2" FIP	5	150	13.8
Washers					
WRJ	026613051963	Washer 1.020" OD x .687" ID x .240" Thick. For Copper Connectors with an Internal Dielectric Sleeve		500	3.0
WWCD	026613051970	Washer .940" OD x .675" ID x .218" Thick. For Copper Connectors with an External Dielectric Sleeve		1,000	4.2



WATER HEATER COMPONENTS

www.brasscraft.com

Part Numbering System

Iron Pipe Nipples

Fitting Type	Pipe Thread	Length	Finish	Option
113	06	2.5	C	X

Type	Code	Description
112		Close Pipe Nipples
113		Long Pipe Nipples

Pipe Thread	Code	Description
02		1/8" MIP
04		1/4" MIP
06		3/8" MIP
08		1/2" MIP
10		5/8" MIP
12		3/4" MIP
16		1" MIP

Length*	Code	Description
1.5		1-1/2"
2		2"
2.5		2-1/2"
3		3"
3.5		3-1/2"
4		4"
4.5		4-1/2"
5		5"
5.5		5-1/2"
6		6"

Finish	Code	Description
C		Chrome plated
R		Rough (unplated)

Option (Modifier)	Code	Description
X		100% Compliant

*For Close Nipples omit length

Industry Standard Fittings

Fitting Type	Inlet Size	Outlet Size	Option	Finish
69	8	6	X	C

Type	Code	Description
62		Compression x Compression Union
65		Compression x Compression Elbow
68		MIP x Compression Union
69		MIP x Compression Elbow
70		Flare x Compression Elbow
462		Flare x Compression Union Adaptor

Inlet Size	Code	Description
4		1/4"
6		3/8"
8		1/2"
10		5/8"
12		3/4"
14		7/8"

Outlet Size	Code	Description
4		1/4"
6		3/8"
8		1/2"
10		5/8"
12		3/4"
14		7/8"

Option (Modifier)	Code	Description
DT		Drill-Through
X		100% Compliant

Finish	Code	Description
C		Chrome plated
R		Rough (unplated)

Working Pressures

Working pressures vary by type and size of tubing used, and style of fitting. However, based on .032 wall copper tubing, the pressures may range as follows depending on size:

CONNECTION TYPE PRESSURE	WORKING
Flare (1/8" to 3/4")	600 to 3,000 PSI
Compression	100 to 400 PSI
Iron Pipe	Up to 1,200 PSI
PEX Tubing	Up to 150 PSI
Polyethylene Tubing	Up to 80 PSI

Fitting Thread Size Comparison Chart

SIZE	FLARE	COMPRESSION	PIPE
1/8	5/16-24	5/16-24	1/8-27
3/16	3/8-24	3/8-24	—
1/4	7/16-20	7/16-24	1/4-18
5/16	1/2-20	1/2-24	—
3/8	5/8-18	9/16-24	3/8-18
7/16	11/16-16	5/8-24	—
1/2	3/4-16	11/16-20	1/2-14
5/8	7/8-14	13/16-18	—
3/4	1-1/16-14	1-18	3/4-14
7/8	1-1/4-12	1-1/8-18	—
1	1-3/8-12	—	1-11-1/2

General Information

Most brass fittings have a temperature range of -65°F to 250°F. They can be used on copper, brass, aluminum, plastic, and welded steel.

Note: Compression fittings are not recommended for steel tubing.

BRASS FITTINGS**BrassCraft®**

63

PART NO.	UPC	DESCRIPTION	FINISH	QTY	LBS
----------	-----	-------------	--------	-----	-----

Compression Unions

62-4DTX	026613147833	1/4" OD Tube, Drill Through (No Tube Stop), Both Ends	Rough	50	2.4
62-6DTX	026613147871	3/8" OD Tube, Drill Through (No Tube Stop), Both Ends	Rough	25	1.8

**Compression Reducing Unions**

C14X C	026613149066	5/8" OD Tube x 3/8" OD Tube, Drill Through (No Tube Stop)	Chrome	25	3.4
--------	--------------	---	--------	----	-----

**Compression Female Adaptors**

10X C	026613145266	3/8" OD Tube, Drill Through (No Tube Stop) x 3/8" FIP	Chrome	25	1.5
-------	--------------	---	--------	----	-----

**Compression Female Reducing Adaptors**

12X C	026613146171	3/8" OD Tube, Drill Through (No Tube Stop) x 1/2" FIP	Chrome	25	1.8
12X R	026613146188	3/8" OD Tube, Drill Through (No Tube Stop) x 1/2" FIP	Rough	25	1.8

**Compression Male Adaptors**

11X C	026613136172	3/8" OD Tube, Drill Through (No Tube Stop) x 3/8" MIP	Chrome	25	1.7
11X R	026613145297	3/8" OD Tube, Drill Through (No Tube Stop) x 3/8" MIP	Rough	25	1.7
33X C	026613147703	1/2" OD Tube, Drill Through (No Tube Stop) x 1/2" MIP	Chrome	25	3.0



68-8DTX	026613148649	1/2" OD Tube, Drill Through (No Tube Stop) x 1/2" MIP	Rough	25	3.0
---------	--------------	---	-------	----	-----

**Compression Male Reducing Adaptors**

13X C	026613136264	3/8" OD Tube, Drill Through (No Tube Stop) x 1/2" MIP	Chrome	25	2.3
13X R	026613136257	3/8" OD Tube, Drill Through (No Tube Stop) x 1/2" MIP	Rough	25	2.3

**Compression Reducing Union Elbows**

65-10-6X	026613148045	5/8" OD Tube x 3/8" OD Tube	Rough	10	1.7
65-10-6X C	026613148052	5/8" OD Tube x 3/8" OD Tube	Chrome	10	1.7

**Compression Male Elbows**

69-6-6X	026613136325	3/8" OD Tube x 3/8" MIP	Rough	10	1.1
69-6-6X C	026613148700	3/8" OD Tube x 3/8" MIP	Chrome	10	1.1
69-8-8X	026613148748	1/2" OD Tube x 1/2" MIP	Rough	10	1.9

**Compression Male Reducing Elbows**

69-6-8X	026613136479	3/8" OD Tube x 1/2" MIP	Rough	10	1.2
69-6-8X C	026613148717	3/8" OD Tube x 1/2" MIP	Chrome	10	1.2
69-8-6X	026613136493	1/2" OD Tube x 3/8" MIP	Rough	10	1.3
69-8-6X C	026613148731	1/2" OD Tube x 3/8" MIP	Chrome	10	1.3
69-10-8X	026613136516	5/8" OD Tube x 1/2" MIP	Rough	5	0.9

**Compression Female Elbows**

70-6-6X	026613148793	3/8" OD Tube x 3/8" FIP	Rough	10	1.5
---------	--------------	-------------------------	-------	----	-----



www.brasscraft.com

BRASS COMPRESSION FITTINGS



PART NO.	UPC	DESCRIPTION	FINISH	QTY	LBS
Compression Female Reducing Elbows					
70-6-8X	026613148809	3/8" OD Tube x 1/2" FIP	Rough	10	1.4
70-6-8X C	026613148816	3/8" OD Tube x 1/2" FIP	Chrome	10	1.4



PART NO.	UPC	DESCRIPTION	FINISH	QTY	LBS
Compression Female Tee Adaptors					
CT2-664X P	026613140933	3/8" OD Tube x 3/8" OD Tube x 1/4" Female Comp Nut	Rough	10	1.9
CT2-666X P	026613140926	3/8" OD Tube x 3/8" OD Tube x 3/8" Female Comp Nut	Rough	10	1.9



PART NO.	UPC	DESCRIPTION	FINISH	QTY	LBS
Flare Compression Adaptors					
462-6-4X	026613154381	3/8" Female Flare, Fine Thread x 1/4" OD Tube	Rough	10	0.5
462-6-6X	026613154398	3/8" Female Flare, Fine Thread x 3/8" OD Tube	Rough	10	0.5
462-8-6X	02661315494	1/2" Female Flare, Fine Thread x 3/8" OD Tube	Rough	10	0.7



PART NO.	UPC	DESCRIPTION	FINISH	QTY	LBS
Sweat Compression Adaptors					
24X R	026613147697	1/2" Nom Sweat x 1/4" OD Tube	Rough	25	1.2
14X C	026613146850	1/2" Nom Sweat x 3/8" OD Tube, Drill Through (No Tube Stop)	Chrome	25	1.4
14X R	026613140698	1/2" Nom Sweat x 3/8" OD Tube, Drill Through (No Tube Stop)	Rough	25	1.5



PART NO.	UPC	DESCRIPTION	FINISH	QTY	LBS
Garden Hose Dishwasher Elbows					
HES-6-12X	026613160184	3/8" OD Comp x 3/4" Garden Hose w/ Washer	Rough	50	7.0
HES-8-12X	026613160221	1/2" OD Comp x 3/4" Garden Hose w/ Washer	Rough	25	3.3
HES-6-12WNMX	026613160214	3/8" OD Comp x 3/4" Garden Hose, Comp Nut & Sleeve, Hose Washer Included	Rough	50	10.0

BRASS FITTINGS



PART NO.	UPC	DESCRIPTION	FINISH	QTY	LBS
ΔCPVC Compression Reducing Adaptors					
P14CX R	026613154497	1/2" Nom CPVC x 3/8" OD Tube	Rough	10	1.5
P44CX R	026613154503	1/2" Nom CPVC x 5/8" OD Tube	Rough	10	1.9
ΔCPVC Female Adaptors					
P48FX R	026613154510	1/2" Nom CPVC x 1/2" FIP	Rough	10	1.6
P72FX R	026613150932	3/4" Nom CPVC x 3/4" FIP	Rough	10	3.7
ΔCPVC Male Adaptors					
P48MX R	026613150918	1/2" Nom CPVC x 1/2" MIP	Rough	10	1.4
P72MX R	026613150949	3/4" Nom CPVC x 3/4" MIP	Rough	10	3.3
ΔCPVC Female 90° Drop-Ear Elbows					
P48WX R	026613150925	1/2" Nom CPVC x 1/2" FIP	Rough	10	4.1



BRASS CPVC SOLVENT WELD FITTINGS

Δ CPVC pre-torqued fittings eliminate the need for tightening on the job.

www.brasscraft.com

PART NO.	UPC	DESCRIPTION	FINISH	QTY	LBS
Pipe Nipples					
113-02-1.5-RX	026613145402	1/8" MIP x 1-1/2"	Rough	25	0.7
113-02-2.5-RX	026613145419	1/8" MIP x 2-1/2"	Rough	25	2.5
113-02-2-RX	026613145426	1/8" MIP x 2"	Rough	25	0.7
113-02-3-RX	026613145440	1/8" MIP x 3"	Rough	25	1.5
113-02-4-RX	026613145457	1/8" MIP x 4"	Rough	25	2.2
113-04-1.5-RX	026613145464	1/4" MIP x 1-1/2"	Rough	25	1.5
113-04-2.5-RX	026613145471	1/4" MIP x 2-1/2"	Rough	25	1.9
113-04-2-RX	026613145488	1/4" MIP x 2"	Rough	25	1.5
113-04-3.5-RX	026613145495	1/4" MIP x 3-1/2"	Rough	25	2.8
113-04-3-RX	026613145501	1/4" MIP x 3"	Rough	25	3.0
113-04-4-RX	026613145518	1/4" MIP x 4"	Rough	25	3.9
113-04-6-RX	026613145525	1/4" MIP x 6"	Rough	25	5.2
113-06-1.5-CX	026613145532	3/8" MIP x 1-1/2"	Chrome	25	1.3
113-06-1.5-RX	026613145549	3/8" MIP x 1-1/2"	Rough	25	1.4
113-06-2.5-CX	026613145556	3/8" MIP x 2-1/2"	Chrome	25	2.5
113-06-2.5-RX	026613145563	3/8" MIP x 2-1/2"	Rough	25	2.4
113-06-2-CX	026613145570	3/8" MIP x 2"	Chrome	25	2.0
113-06-2-RX	026613145587	3/8" MIP x 2"	Rough	25	2.0
113-06-3.5-CX	026613145594	3/8" MIP x 3-1/2"	Chrome	25	3.5
113-06-3-CX	026613145600	3/8" MIP x 3"	Chrome	25	3.2
113-06-3-RX	026613145617	3/8" MIP x 3"	Rough	25	3.2
113-06-4-CX	026613145679	3/8" MIP x 4"	Chrome	25	4.5
113-06-4-RX	026613145686	3/8" MIP x 4"	Rough	25	4.4
113-06-5.5-CX	026613145693	3/8" MIP x 5-1/2"	Chrome	25	7.7
113-06-5-CX	026613145709	3/8" MIP x 5"	Chrome	25	6.2
113-06-6-CX	026613145730	3/8" MIP x 6"	Chrome	25	6.9
113-08-1.5-CX	026613145747	1/2" MIP x 1-1/2"	Chrome	5	0.5
113-08-1.5-RX	026613145754	1/2" MIP x 1-1/2"	Rough	5	0.5
113-08-2.5-CX	026613145761	1/2" MIP x 2-1/2"	Chrome	5	0.8
113-08-2.5-RX	026613145778	1/2" MIP x 2-1/2"	Rough	5	0.8
113-08-2-CX	026613145785	1/2" MIP x 2"	Chrome	5	0.6
113-08-2-RX	026613145792	1/2" MIP x 2"	Rough	5	0.6
113-08-3.5-CX	026613145808	1/2" MIP x 3-1/2"	Chrome	5	1.0
113-08-3.5-RX	026613145815	1/2" MIP x 3-1/2"	Rough	5	1.0
113-08-3-CX	026613145822	1/2" MIP x 3"	Chrome	5	0.7
113-08-3-RX	026613145839	1/2" MIP x 3"	Rough	5	0.8
113-08-4.5-CX	026613145884	1/2" MIP x 4-1/2"	Chrome	5	1.5
113-08-4-CX	026613145891	1/2" MIP x 4"	Chrome	5	1.3
113-08-4-RX	026613145907	1/2" MIP x 4"	Rough	5	1.3
113-08-5-CX	026613145938	1/2" MIP x 5"	Chrome	5	1.8
113-08-5-RX	026613145945	1/2" MIP x 5"	Rough	5	1.8
113-08-6-CX	026613145976	1/2" MIP x 6"	Chrome	5	2.0
113-08-6-RX	026613145983	1/2" MIP x 6"	Rough	5	2.0



NOTE: Nipple length in excess of 6" are available. Contact your sales rep. for details.

BRASS FITTINGS

BrassCraft®

67

PART NO.	UPC	DESCRIPTION	FINISH	QTY	LBS
Pipe Nipples (cont.)					
113-12-1.5-RX	026613145990	3/4" MIP x 1-1/2"	Rough	5	0.7
113-12-2.5-RX	026613146003	3/4" MIP x 2-1/2"	Rough	5	1.1
113-12-2-RX	026613146027	3/4" MIP x 2"	Rough	5	0.8
113-12-3.5-RX	026613146034	3/4" MIP x 3-1/2"	Rough	5	1.7
113-12-3-RX	026613146041	3/4" MIP x 3"	Rough	5	1.4
113-12-4-RX	026613146065	3/4" MIP x 4"	Rough	5	2.0
113-12-5-RX	026613146072	3/4" MIP x 5"	Rough	5	2.5
113-12-6-RX	026613146089	3/4" MIP x 6"	Rough	5	3.0
113-16-2-RX	026613146096	1" MIP x 2"	Rough	5	1.0
113-16-4-RX	026613146119	1" MIP x 4"	Rough	5	2.5

**Close Pipe Nipples**

112-02-RX	026613145303	1/8" MIP, Both Ends	Rough	25	0.3
112-04-RX	026613145310	1/4" MIP, Both Ends	Rough	25	0.7
112-06-CX	026613145327	3/8" MIP, Both Ends	Chrome	25	1.2
112-06-RX	026613145334	3/8" MIP, Both Ends	Rough	25	1.2
112-08-CX	026613145341	1/2" MIP, Both Ends	Chrome	5	0.4
112-08-RX	026613145358	1/2" MIP, Both Ends	Rough	5	0.4
112-12-RX	026613145365	3/4" MIP, Both Ends	Rough	5	0.5
112-16-RX	026613145372	1" MIP, Both Ends	Rough	5	0.8



NOTE: Nipple length in excess of 6" are available. Contact your sales rep. for details.

www.brasscraft.com

BRASS NIPPLES



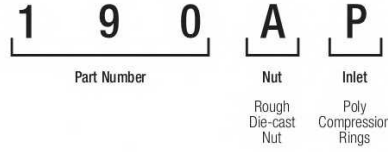
PART NO.	UPC	DESCRIPTION	FINISH	QTY	LBS
Fine Thread Flare Nuts					
F0-6	026613004785	3/8" OD Tube (9/16-24 Thread)	Rough	10	0.2
F0-8 C	026613059884	1/2" OD Tube (9/16-24 Thread)	Chrome	10	0.4

WASTE CONNECTORS



Part Numbering System

Example:



Part Number

Basic part number.
1-3 digits.

Nut

- A** Rough Die-cast Nut
- B** Chrome Die-cast Nut
- C** Rough Brass Nut
- D** Chrome Brass Nut

Option

- P** Poly Compression Rings
- L** Lead Compression Rings
- R** With Rubber Washer (P/N 90BR, 90DR, 94BR, 94DR, 96BR, 96DR, 98DR Only)

Waste Connectors Machined from Extruded Solid Brass

Entire connector body is produced from solid brass. Eliminates all potential pin holes and porosity.

- **Uniform Wall Thickness** – No variations in wall thickness. Close dimensional tolerances assured.
- **Better Threads** – Uniform cleaner threads ensure positive threaded connections. Less chance of cross-threading.
- **Cleaner, Smoother Water Ways** – Uniform smooth internal surfaces allow full unobstructed flow through connector.
- **Smooth Finished Appearance...Easier to Assemble** – No burrs or rough surfaces to catch or hang up during assembly.

PART NO.	UPC	DESCRIPTION	FINISH	QTY	LBS
Compression Male Waste Connectors (Female Sweat Tap)					
190A	026613055596	1-1/4" OD Tube x 1-1/4" MIP (Tapped 1-3/8" OD Female Sweat)	Die Cast, Rough	25	7.1
190B	026613055619	1-1/4" OD Tube x 1-1/4" MIP (Tapped 1-3/8" OD Female Sweat)	Die Cast, Chrome	25	7.4
190C	026613055633	1-1/4" OD Tube x 1-1/4" MIP (Tapped 1-3/8" OD Female Sweat)	Rough Brass	25	7.8
192A	026613055718	1-1/4" OD Tube x 1-1/2" MIP (Tapped 1-5/8" OD Female Sweat)	Die Cast, Rough	25	7.7
192B	026613002422	1-1/4" OD Tube x 1-1/2" MIP (Tapped 1-5/8" OD Female Sweat)	Die Cast, Chrome	25	8.1
192C	026613055749	1-1/4" OD Tube x 1-1/2" MIP (Tapped 1-5/8" OD Female Sweat)	Rough Brass	25	8.4
196A	026613055824	1-1/2" OD Tube x 1-1/2" MIP (Tapped 1-5/8" OD Female Sweat)	Die Cast, Rough	25	8.2
196B	026613002439	1-1/2" OD Tube x 1-1/2" MIP (Tapped 1-5/8" OD Female Sweat)	Die Cast, Chrome	25	8.3
196C	026613055879	1-1/2" OD Tube x 1-1/2" MIP (Tapped 1-5/8" OD Female Sweat)	Brass, Rough	25	8.7



DRAIN WASTE CONNECTORS

www.brasscraft.com

PART NO.	UPC	DESCRIPTION	FINISH	QTY	LBS
Compression Female Waste Connectors					
191B	026613055671	1-1/4" OD Tube x 1-1/4" FIP	Die Cast, Chrome	25	8.0
191C	026613055695	1-1/4" OD Tube x 1-1/4" FIP	Brass, Rough	25	8.5
193A	026613055770	1-1/4" OD Tube x 1-1/2" FIP	Die Cast, Rough	25	8.3
193B	026613002446	1-1/4" OD Tube x 1-1/2" FIP	Die Cast, Chrome	25	8.6
193C	026613055794	1-1/4" OD Tube x 1-1/2" FIP	Rough Brass	25	9.0
197A	026613055909	1-1/2" OD Tube x 1-1/2" FIP	Die Cast, Rough	25	8.5
197B	026613002453	1-1/2" OD Tube x 1-1/2" FIP	Die Cast, Chrome	25	9.2
197C	026613055947	1-1/2" OD Tube x 1-1/2" FIP	Rough Brass	25	9.6
197D	026613055978	1-1/2" OD Tube x 1-1/2" FIP	Chrome	25	9.6



Compression Female Sweat Waste Connectors

200A	026613056081	1-1/4" OD Tube x 1-1/4" ID Female Sweat	Die Cast, Rough	25	7.4
200B	026613056098	1-1/4" OD Tube x 1-1/4" ID Female Sweat	Die Cast, Chrome	25	7.7
200C	026613056104	1-1/4" OD Tube x 1-1/4" ID Female Sweat	Brass, Rough	25	8.9
198B	026613056005	1-1/4" OD Tube x 1-1/2" ID Female Sweat	Die Cast, Chrome	25	7.7
199A	026613056036	1-1/2" OD Tube x 1-1/2" ID Female Sweat	Die Cast, Rough	25	9.0
199B	026613056043	1-1/2" OD Tube x 1-1/2" ID Female Sweat	Die Cast, Chrome	25	9.1



Compression Male Sweat Waste Connectors

202A	026613056128	1-1/4" OD Tube x 1-1/4" OD Male Sweat	Die Cast, Rough	25	7.5
204C	026613056227	1-1/4" OD Tube x 1-1/2" OD Male Sweat	Brass, Rough	25	8.0
203A	026613056166	1-1/2" OD Tube x 1-1/2" OD Male Sweat	Die Cast, Rough	25	8.9



Compression Slip Nuts

90A	026613056258	1-1/4" OD Tube x 1-1/4" FIP	Die Cast, Rough	250	11.3
90B	026613056272	1-1/4" OD Tube x 1-1/4" FIP	Die Cast, Chrome	250	14.5
96B	026613056470	1-1/2" OD Tube x 1-1/2" FIP	Die Cast, Chrome	150	9.6



WASTE CONNECTORS



PART NO.	UPC	DESCRIPTION	FINISH	QTY	LBS
Compression Slip Nuts (cont.)					
90C	026613056296	1-1/4" OD Tube x 1-1/4" FIP	Brass, Rough	100	7.6
90D	026613056302	1-1/4" OD Tube x 1-1/4" FIP	Brass, Chrome	500	35.2
97B	026613056586	1-1/4" OD Tube x 1-1/2" FIP	Die Cast, Chrome	400	26.1
94D	026613056418	1-3/8" OD Tube x 1-1/2" FIP	Brass, Chrome	350	35.9
96C	026613056494	1-1/2" OD Tube x 1-1/2" FIP	Brass, Rough	150	12.2
96D	026613056517	1-1/2" OD Tube x 1-1/2" FIP	Brass, Chrome	100	8.3



Compression Rings					
90	026613056241	1-1/4" OD Tube	Brass	200	3.8
96	026613056432	1-1/2" OD Tube	Brass	250	11.2
90P	026613056333	1-1/4" OD Tube	Polyethylene	400	1.8
96P	026613056548	1-1/2" OD Tube	Polyethylene	400	2.1



Miscellaneous					
BC9441	026613012360	Dishwasher Air Gap 5/8" OD Inlet x 7/8" OD Outlet		10	3.4



www.brasscraft.com


DRAIN WASTE CONNECTORS

PART NO.	UPC	DESCRIPTION	FINISH	QTY	LBS
----------	-----	-------------	--------	-----	-----

Multi-Turn Supply Stop Components

	R15-5	026613041643	Bib Washer	Rubber	25	0.0
	R10-2+5	026613041551	Stem & Bib Washer for Straight Stop	Brass	25	1.0
	R15S-2+5 R	026613041735	Stem & Bib Washer for Angle Stop	Brass	25	1.3
	R15S-2P+5	026613041742	Stem & Bib Washer for Angle or Straight Stop	P.O.M.	25	0.2
	S15S-2+5TP	026613041797	Stem & Bib Washer for Loose Key Stop	Brass	25	1.4
	R15S-3 C	026613041759	Bonnet Nut for Oval Handle	Chrome	25	0.5
	S15S-3 C	026613041810	Bonnet Nut for Loose Key	Chrome	25	1.0
	R15-78F	026613041681	Bonnet Packing	Rubber	25	0.0
	R15-6P	026613041667	Thrust Washer	P.O.M.	25	0.0
	R15-10T C	026613002132	Oval Handle	Zinc/ Chrome	25	0.6
	R15-10T R	026613041605	Oval Handle	Zinc/ Rough	25	0.8
	R15-10TP C	026613134765	Oval Handle	ABS/ Chrome	25	0.2
	X15-10 C	026613042022	Cross Handle	Brass/ Chrome	25	2.1
	XXR15-10R C	026613042046	Round Handle	Brass/ Chrome	25	1.5
	XXR15-10R R	026613042053	Round Handle	Brass/ Rough	25	1.5
	S15-10 C	026613041780	Loose Key	Zinc/ Rough	25	1.3
	R15-9 C	026613041704	Screw for Stop Handles	Steel/Zinc	25	0.1
	KT15-9 C	026613107806	Screw for KT Ball Stop Handle	Steel/Zinc	25	0.0

Compression Nuts

	61-4	026613006055	1/4" OD Tube	Rough	10	0.1
	61-4 C	026613066783	1/4" OD Tube	Chrome	10	0.1
	61-6	026613006079	3/8" OD Tube	Rough	10	0.2
	61-6 C	026613066868	3/8" OD Tube	Chrome	10	0.2
	61-7	026613066080	7/16" OD Tube	Rough	10	0.2
	61-7 C	026613066097	7/16" OD Tube	Chrome	10	0.2
	61-8	026613006086	1/2" OD Tube	Rough	10	0.4
	61-8 C	026613066936	1/2" OD Tube	Chrome	10	0.4

COMPONENT PARTS

BrassCraft®

73

PART NO.	UPC	DESCRIPTION	FINISH	QTY	LBS	
Compression Nuts (cont.)						
61-10	026613006093	5/8" OD Tube	Rough	5	0.2	
61-10 C	026613066660	5/8" OD Tube	Chrome	5	0.2	
Compression Sleeves						
60-4	026613005928	For 1/4" OD Tube	Brass	10	0.0	
60-6	026613005942	For 3/8" OD Tube	Brass	10	0.0	
60-7	026613005959	For 7/16" OD Tube	Brass	10	0.0	
60-8	026613005966	For 1/2" OD Tube	Brass	10	0.1	
60-10	026613005973	For 5/8" OD Tube	Brass	5	0.0	
Compression Sleeves for Plastic Tube						
60PT-4	026613005997	For 1/4" OD Tube	Plastic	10	0.0	
60PT-6	026613006017	For 3/8" OD Tube	Plastic	10	0.0	
60PT-8	026613006024	For 1/2" OD Tube	Plastic	10	0.0	
60PT-10	026613006031	For 5/8" OD Tube	Plastic	10	0.0	
Brass Inserts for Nylon & Plastic Hose						
63PT-10X	026613152851	For 5/8" OD Tube	Brass	10	0.1	
63PT-4X	026613152868	For 1/4" OD Tube	Brass	10	0.0	
63PT-6X	026613152875	For 3/8" OD Tube	Brass	10	0.1	
63PT-8X	026613147956	For 1/2" OD Tube	Brass	10	0.0	
Compression Sleeves for Plastic Tube						
TS-6X	026613107110	For 3/8" Nom Tube	Steel	10	0.1	
TS-8X	026613097541	For 1/2" Nom Tube	Steel	10	0.1	
ΔCPVC Solvent Weld Components						
NSWRA1	026613041360	1/2" Nom Insert and Seal		5	0.1	
NSWN-1 C	026613058382	1/2" Nom Nut	Chrome	5	0.3	
NSWN-1 R	026613058399	1/2" Nom Nut	Rough	5	0.3	
NSWN-2 C	026613093871	3/4" Nom Nut	Chrome	5	0.9	
Riser Component Parts - Faucet						  
1AX	026613152820	3/8" Nosepiece (for tube solder application)	Brass	25	0.6	
01W	026613041032	Cone Washer for 3/8" OD Tube	Rubber	25	0.1	
R15-6	026613041650	Thrust Washer	Brass	25	0.1	

Δ CPVC pre-torqued fittings eliminate the need for tightening on the job.

www.brasscraft.com

COMPONENT PARTS

PART NO.	UPC	DESCRIPTION	FINISH	QTY	LBS
----------	-----	-------------	--------	-----	-----

Riser Component Parts - Faucet (cont.)



SJ300 C	026613067209	Faucet Shank Nut	Brass/ Chrome	25	0.9
---------	--------------	------------------	------------------	----	-----

SJ300 R	026613067216	Faucet Shank Nut	Brass/ Rough	25	0.9
---------	--------------	------------------	-----------------	----	-----

Riser Component Parts - Toilet



1DL	026613003832	Nosepiece for 3/8" OD Tube	Plastic	25	0.1
-----	--------------	----------------------------	---------	----	-----



1DE	026613041193	Cone Washer and Tube Insert for 3/8" OD Tube Heavy Nosepiece	Rubber	25	0.2
-----	--------------	--	--------	----	-----



01E	026613041025	Cone Washer for 3/8" OD Tube	Rubber	25	0.1
-----	--------------	------------------------------	--------	----	-----

SC	026613041841	Cone Washer for 7/16" Corr-O-Flex Tube	Rubber	25	0.2
----	--------------	--	--------	----	-----

WATER SUPPLY ACCESSORIES

BrassCraft®

75

PART NO.	UPC	DESCRIPTION	FINISH	QTY	LBS
----------	-----	-------------	--------	-----	-----

Shallow Escutcheons

646	026613056883	3/8" IP Shallow (.680 ID)	Stainless Steel	300	8.6
647	026613056906	1/2" IP Shallow (.840 ID)	Stainless Steel	300	6.8
649	026613056920	1/2" Nom (5/8" OD) Shallow (.625 ID)	Stainless Steel	250	5.8

**Bell Escutcheons**

650 C	026613081786	3/8" IP (11/16" OD) Bell (.687 ID)	Chrome	250	9.4
651 C	026613056944	1/2" IP Bell (.844 ID)	Chrome	300	11.6
654 C	026613056975	1/2" Nom (5/8" OD) Bell (.630 ID)	Chrome	300	11.1

**Cast Brass Escutcheons With Set Screw**

CB646 C	026613057040	3/8" IP Shallow	Chrome	300	37.0
CB647 C	026613057057	1/2" IP Shallow	Chrome	300	36.7
CB649 C	026613057064	1/2" Nom (5/8" OD) Shallow	Chrome	300	36.2
CB650 C	026613057071	11/16" OD Shallow	Chrome	300	36.8

**Chrome Plated Brass Cover Tubes**

8489 C	026613056999	3-1/2" Length for 1/2" Nom Copper Tube Use 650 C Bell Escutcheon	Chrome	150	8.4
8491 C	026613057019	36" Length for 1/2" Nom Copper Tube Use 650 C Bell Escutcheon	Chrome	40	27.9

**Faucet Tailpieces**

56825X C	026613157535	Straight Faucet Tailpiece 1/4" MIP x 1-1/2"	Chrome	500	31.9
56825X R	026613157542	Straight Faucet Tailpiece 1/4" MIP x 1-1/2"	Rough	500	31.7



WATER SUPPLY ACCESSORIES - ESCUTCHEONS, TUBE COVERS, & TAIL PIECES

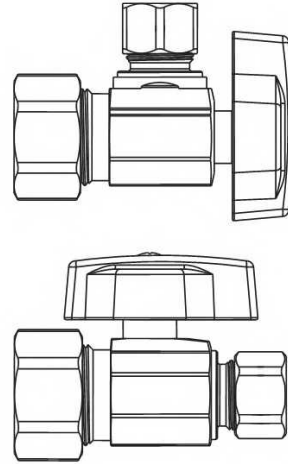
www.brasscraft.com

WATER SUPPLY STOPS – 1/4 TURN BALL STOP (KT™ SERIES)

Use: For use in potable water distribution systems

Design Features:

- **Machined one-piece brass body** provides strength, durability, and long-lasting performance
- **Easy-to-remove handle** protects accidental stop operation during rough-ins
- **Precision-machined brass ball** is specially engineered and mated with PTFE seats to provide smooth operation
- **Two high-performance o-rings** withstand high temperatures and corrosion
- **Blow-out proof brass stem** is assembled from the inside out with two o-rings to ensure safe, reliable performance
- **Plated stem** provides corrosion resistance and prevents o-ring damage after long periods of non-use
- **Metal handle** is designed for durability, corrosion resistance, and a sleek appearance
- **Dual Outlet and Dual Outlet/Dual Shut-off** configurations available
- **Available with** loose key handle variation
- **100% leak tested**



Operating Specifications:

Temperature: 40°- 180° F

Pressure: 125 PSI maximum

STOP MATERIAL SPECIFICATIONS

Body	Brass or brass, plated
Stem	Brass, plated
Handle	Zinc die cast, plated
Handle Screw	Steel, plated
O-ring	Rubber
Ball	Brass, plated
Seat	PTFE
Compression Sleeve	Brass
Compression Nut	Brass or brass, plated

Listings & Certifications:

- IAPMO listed to ASME A112.18.1 / CSA B125.1



SPECIFICATIONS

BrassCraft®

77

1/4 TURN SUPPLY VALVES – G2™ SERIES

Use: For use in potable water distribution systems. Not intended for recirculating water systems that produce continuous use temperatures above 115° F.

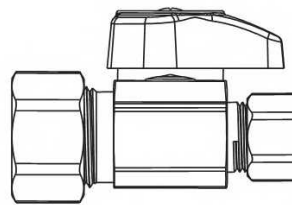
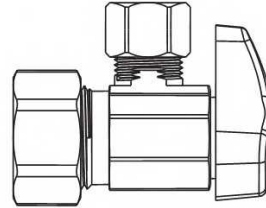
Design Features:

- **One-piece shut-off mechanism** provides smooth on-off operation
- **Machined one-piece brass body** provides strength, durability, and long-lasting performance
- **Positive 1/4 turn shut off**
- **Easy-to-remove handle** protects accidental valve operation during rough-ins
- **100% leak tested**

Operating Specifications:

Temperature: 40° - 160° F

Pressure: 125 PSI maximum



VALVE MATERIAL SPECIFICATIONS

Body	<i>Brass or brass, plated</i>
Handle	<i>Zinc die cast or plated ABS</i>
Handle Screw	<i>Steel, plated</i>
O-ring	<i>Rubber</i>
Stem Shaft	<i>Polypropylene</i>
Stem Barrel	<i>TPE</i>
Compression Sleeve	<i>Brass</i>
Compression Nut	<i>Brass or brass, plated</i>

Listings & Certifications:

- IAPMO listed to ASME A112.18.1 / CSA B125.1



TECHNICAL DATA SHEETS

www.brasscraft.com

1/4 TURN SUPPLY VALVES – PUSH CONNECT

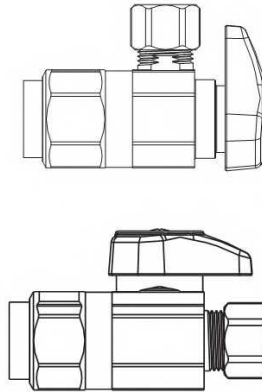
Use: For use only in potable water distribution systems. Not intended for recirculating water systems that produce continuous use temperatures above 115° F.

Design Features:

- **One-piece shut-off mechanism** provides smooth on-off operation
- **Compatible** with PEX, copper, and CPVC tubing
- **Pre-assembled tube insert** is “installation ready” for a faster connection
- **Fast**, reliable, and secure connection
- **Positive** 1/4 turn shut off
- **Easy-to-remove handle** helps protect against accidental valve operation during rough-ins
- **Compact, machined** one-piece body design
- **100% leak tested**

Operating Specifications:

Temperature: 40° - 160° F
Pressure: 125 PSI maximum

**VALVE MATERIAL SPECIFICATIONS**

Body	Brass or brass, plated
Handle	Zinc die cast or plated ABS
Handle Screw	Steel, plated
O-ring	Rubber
Stem Shaft	Polypropylene
Stem Barrel	TPE
Removal Flange	Polypropylene
Tube Insert	POM
Gripper Ring	Stainless steel
Push Connect Retainer	Nylon
Compression Sleeve	Brass
Compression Nut	Brass or brass, plated

Listings & Certifications:

- IAPMO listed to ASME A112.18.1 / CSA B125.1 and ASSE 1061



SPECIFICATIONS

BrassCraft®

79

MULTI-TURN SUPPLY VALVES

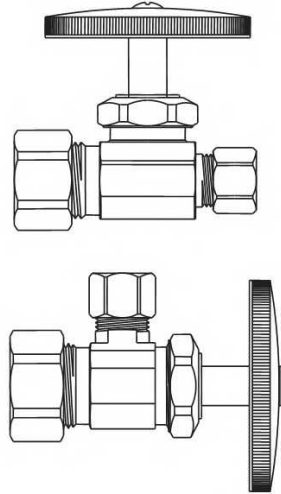
Use: For use in potable water distribution systems. Not intended for recirculating water systems that produce continuous use temperatures above 115° F.

Design Features:

- **Machined one-piece brass body** provides strength, durability, and long-lasting performance
- **Easy-to-remove handle** protects accidental valve operation during rough-ins
- **Oval knurled handle** provides a secure grip and smooth on/off operation
- **Handle variations** available for specific configurations – see variations page
- **Dual outlet and dual outlet/dual shut-off** configurations available

Operating Specifications:

Temperature: 40°- 140° F
Pressure: 125 PSI maximum



VALVE MATERIAL SPECIFICATIONS

Body	Brass or brass, plated
Stem	POM, brass, or brass, plated
Handle	Zinc die cast; ABS, plated; or Polycarbonate
Handle Screw	Steel, plated
Bib & Packing Washer	Rubber
Packing Nut	Brass or brass, plated
Compression Sleeve	Brass
Compression Nut	Brass or brass, plated

Listings & Certifications:

- IAPMO listed to ASME A112.18.1 / CSA B125.1




TECHNICAL DATA SHEETS

www.brasscraft.com

WATER SUPPLY CONNECTORS – SUPPLY RISERS, COPPER OR PEX

Use: For use in potable water distribution systems in accessible locations only.

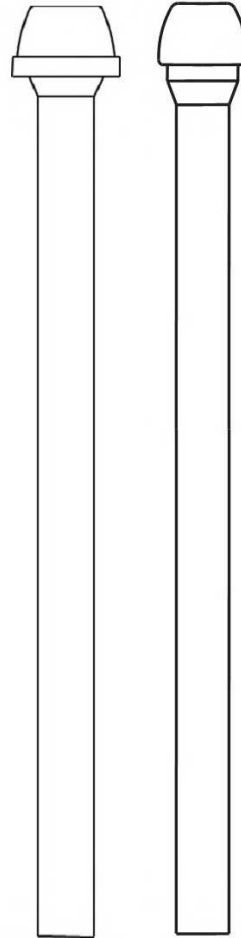
Design Features:

- **One-piece** construction
- **Cut-to-length** for clean, professional installation
- 

Operating Specifications:

Temperature 40° - 180° F
Pressure: 125 PSI maximum

Tubing Diameter: 3/8" OD or 1/2" OD



CONNECTOR MATERIAL SPECIFICATIONS

Tube	Cross-linked Polyethylene (PEX) or copper
Compression Sleeve (3/8"OD)	POM (PEX only)
Insert	POM (copper only)
Optional Brass Nosepiece	Low-Lead brass
Optional Cone Washer	Rubber
Optional Brass Ring	Brass

Listings & Certifications:

- IAPMO listed to ASME A112.18.1 / CSA B125.1



SPECIFICATIONS



RISER TUBES – PEX

Use: For use in potable water distribution systems in accessible locations only.

*Based on connector size, plastic tubing may require a plastic insert or sleeve (see 60PT & 63PT submittal forms for details).

Design Features:

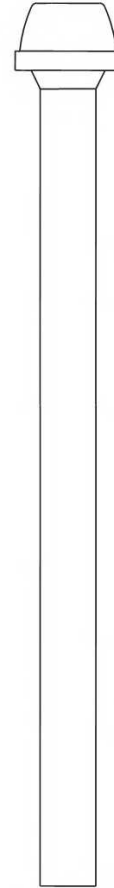
- **One-piece** construction
- **Cut-to-length** for clean, professional installation

Operating Specifications:

Temperature: 40°- 160° F

Pressure: 125 PSI maximum

Tubing Diameter: 3/8" OD or 1/2" OD



CONNECTOR MATERIAL SPECIFICATIONS

Tube	<i>Cross-linked Polyethylene (PEX)</i>
Compression Sleeve (3/8"OD)	<i>POM</i>

Listings & Certifications:

- IAPMO listed to ASME A112.18.1-2005 / CSA B125.1-2005



www.brasscraft.com

TECHNICAL DATA SHEETS

WATER SUPPLY CONNECTORS – SPEEDI PLUMB® PLUS – FLEXIBLE POLYMER BRAIDED

Use: For use only in potable water distribution systems in accessible locations.

Design Features:

- **Corrosion resistance** to harsh chemicals found in most common household cleaning and plumbing repair products
- **Braided polymer-coated fibers** bend freely without kinking or crimping
- **Tough inner core** is reinforced to resist chlorine and chloramine leaching and deterioration
- **Rubber washers** provide a large pliable sealing surface and ensure a long lasting water-tight connection
- **Deep threaded wing nut** for quick and secure connections

Operating Specifications:

Temperature: 40° - 160° F, intermittent to 180° F

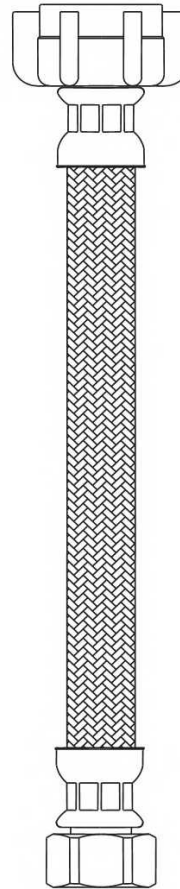
Pressure: 125 PSI maximum

CONNECTOR MATERIAL SPECIFICATIONS

Inner Hose	Reinforced PVC
Braiding	PVC coated polyester yarn
Barb	Brass
Ferrule	Zinc-plated steel
Nut	Brass or polypropylene
Washer	Rubber

Listings & Certifications:

- IAPMO listed to ASME A112.18.6 / CSA B125.6



SPECIFICATIONS



SPEEDI PLUMB® PLUS POLYMER BRAIDED WATER HEATER CONNECTORS

Use: For use only in exposed locations to connect water heaters and other water connected devices to the water supply. Not intended for use with recirculating water systems that produce continuous use temperatures above 115° F. For those applications use the BrassCraft® CopperFlex™ or ProCoat® series connectors.

Design Features:

- **Corrosion resistance** to harsh chemicals found in most common household cleaning, plumbing repair and masonry products when compared to stainless steel braided connectors.
- **Greater strength & flexibility.** The polymer braid exhibits superior elasticity, significantly increasing the flexibility of the connector when compared to stainless steel braiding.
- **No kinking, no crimping.** The polymer braided jacket is specially engineered to bend freely without kinking or crimping the connector
- **Won't work harden** even with repeated bending
- **No dielectric union needed** with installation as the braiding and rubber are constructed of non-conductive materials*
- **Longer connector nuts** allow a greater number of thread-to-thread contact and a better seal.

Operating Specifications:

Temperature: 40° - 160° F, intermittent to 180° F
Pressure: 125 PSI maximum

OPERATING SPECIFICATION				
	12"	15"	18"	24"
Flow Coefficient (Cv)	5.9	5.8	5.6	5.4

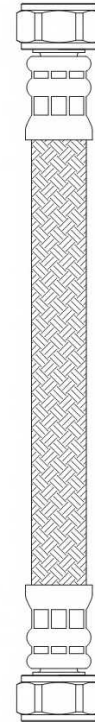
ΔP (Pressure Drop) = GPM^2 / Cv^2 for Example: 24" length connector @ 10 GPM
 $\Delta P = 10^2 / 5.4^2 = 100/29.16 = 3.43$ psi

MATERIAL SPECIFICATIONS	
Inner Hose	Rubber
Braiding	Coated polyester yarn
Barb	Brass
Ferrule	Brass
Nut	Brass
End Fitting	Brass
Washer	Rubber

Listings & Certifications:

- IAPMO listed to ASME A112.18.6 / CSA B125.6

*Check with your local inspection office for applicable code requirements



TECHNICAL DATA SHEETS

www.brasscraft.com

COPPER WATER HEATER CONNECTORS

Use: For use only in exposed locations to connect water heaters and other water connected devices to the water supply.

Design Features:

- **Built-in galvanic corrosion resistance.** Internal dielectric sleeve effectively isolates dissimilar metals within the waterway to prevent galvanic corrosion
- **No dielectric union needed** with installation. Dielectric is built into the design of the connector*
- **Nut provides** full thread engagement resulting in secure connection

Operating Specifications:

Temperature: 40° - 180° F
Pressure: 125 PSI maximum

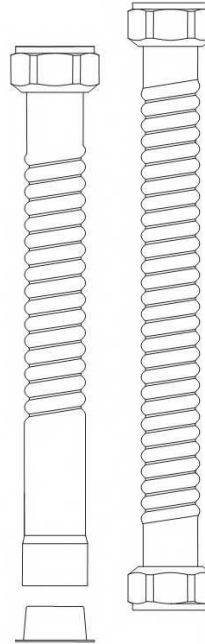
MATERIAL SPECIFICATIONS	
Tubing	Copper
Dielectric Sleeve	Polypropylene
Nut	Brass
End Fitting	Brass
Washer	Rubber

Listings & Certifications:

- IAPMO listed to ASME A112.18.6 / CSA B125.6



*Check with your local inspection office for applicable code requirements



SPECIFICATIONS



PROCOAT® STAINLESS STEEL WATER HEATER CONNECTORS

Use: For use only in exposed locations to connect water heaters, water softeners, and other water connected devices to the water supply.

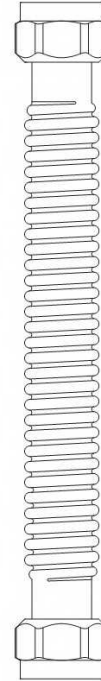
Design Features:

- **Corrosion resistant** coating to protect against harsh chemicals found in most common household cleaning, plumbing repair, and masonry products
- **Maximum performance.** 3/4" internal diameter provides greater water flow without obstruction
- **Integrated dielectric sleeve** effectively isolates dissimilar metals within the waterway to help prevent galvanic and electrolytic corrosion
- **No dielectric union needed** with installation. Dielectric is built into the design of the connector*
- **Nut provides** full thread engagement resulting in a secure connection
- **100% leak tested** prior to coating application to help ensure connector performance and reliability

Operating Specifications:

Temperature: 40° - 180° F
Pressure: 125 PSI maximum

MATERIAL SPECIFICATIONS	
Tubing	Stainless steel
Dielectric Sleeve	Polypropylene
Nut	Brass, chrome plated
Washer	Rubber



Listings & Certifications:

- IAPMO listed to ASME A112.18.6 / CSA B125.6



*Check with your local inspection office for applicable code requirements

TECHNICAL DATA SHEETS

www.brasscraft.com

COMPRESSION FITTINGS

Use: For use with potable water, instrumentation, hydraulic, and pneumatic systems. Designed for use with aluminum, copper, and plastic tubing. Not intended for use with steel tubing.

* Plastic tubing requires a plastic insert and sleeve (see 60PT & 63PT).

Design Features:

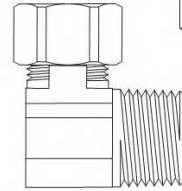
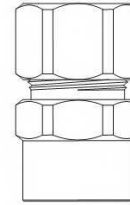
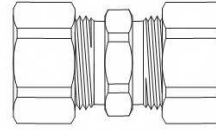
- **Little to no tube preparation.** Compression fittings do not require flaring, soldering, or other types of tube preparation
- **Available in** a broad range of sizes
- **Low-lead** product available

Operating Specifications:

Temperature: -65° - 250° F at maximum operating pressures

Working Pressure: See chart below

Vibration: Fair vibration resistance



WORKING PRESSURE		
PSI	Tube OD	Tube Wall (Inches)
400	1/8	0.030
400	3/16	0.030
300	1/4	0.030
300	5/16	0.032
200	3/8	0.032
200	1/2	0.032
150	5/8	0.035
100	3/4	0.035
75	7/8	0.035

Standard Product

FITTING MATERIAL SPECIFICATIONS	
Fitting Body	Brass
Compression Sleeve	Brass
Compression Nut	Brass
Option	Chrome plating

Low-lead Product

FITTING MATERIAL SPECIFICATIONS	
Fitting Body	Low-lead brass
Compression Sleeve	Brass
Compression Nut	Brass

SPECIFICATIONS



FITTINGS – BRASS CPVC TRANSITION

Use: For use with water, grease, fuels, LP and natural gas, refrigeration, instrumentation, and hydraulic systems in low and medium pressure pipe line connections. Use in combination with brass, copper, and iron pipe.

Design Features:

- **Designed and manufactured** to SAE (Society of Automotive Engineers) thread standards
- **Available in** a broad range of sizes
- **Low-lead** product available

Operating Specifications:

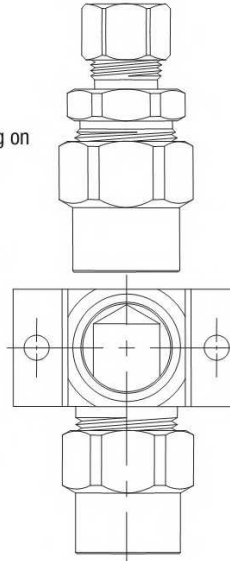
- Temperature:** See Catalog
- Working Pressure:** Up to 400 PSI – See Catalog
- Vibration:** Fair resistance to vibration and pipe movement depending on conditions

Standard Product

FITTING MATERIAL SPECIFICATIONS	
Fitting Body	Brass
CPVC Insert	CPVC
CPVC Washer	Rubber
CPVC Nut	Brass
Compression Sleeve	Brass
Compression Nut	Brass

Low-lead Product

FITTING MATERIAL SPECIFICATIONS	
Fitting Body	Low-lead brass
CPVC Insert	CPVC
CPVC Washer	Rubber
CPVC Nut	Brass
Compression Sleeve	Brass
Compression Nut	Brass



TECHNICAL DATA SHEETS

www.brasscraft.com

NIPPLES – BRASS PIPE

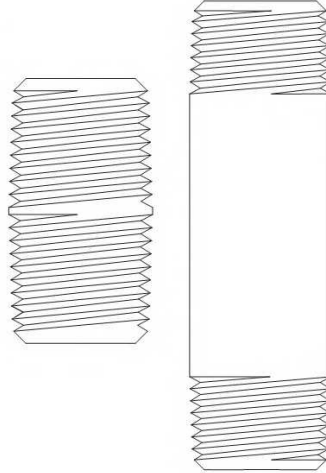
Use: For use with water, grease, fuels, LP and natural gas, refrigeration, instrumentation, and hydraulic systems in low and medium pressure pipe line connections. Use in combination with brass, copper, and iron pipe.

Design Features:

- **Designed and manufactured** to SAE (Society of Automotive Engineers) thread standards
- **Available** in a broad range of sizes
- **Low-lead** product available

Operating Specifications:

Temperature: -65° - 250° F
Working Pressure: Up to 1200 PSI
Vibration: Fair resistance to vibration and pipe movement depending on conditions



NIPPLE MATERIAL SPECIFICATIONS	
Nipple	Yellow or Low-Lead brass

INDEX

PART NO.	PAGE	PART NO.	PAGE	PART NO.	PAGE
01E.....	74	113-06-6-CX.....	66	1-36A C.....	37
01W.....	73	113-08-1.5-CX.....	66	1-36A R.....	37
10X C.....	63	113-08-1.5-RX.....	66	13X C.....	63
1-12 C.....	53	113-08-2.5-CX.....	66	13X R.....	63
112-02-RX.....	67	113-08-2.5-RX.....	66	14X C.....	64
112-04-RX.....	67	113-08-2-CX.....	66	14X R.....	64
112-06-CX.....	67	113-08-2-RX.....	66	1-72 C.....	53
112-06-RX.....	67	113-08-3.5-CX.....	66	190A.....	69
112-08-CX.....	67	113-08-3.5-RX.....	66	190B.....	69
112-08-RX.....	67	113-08-3-CX.....	66	190C.....	69
112-12-RX.....	67	113-08-3-RX.....	66	191B.....	70
112-16-RX.....	67	113-08-4.5-CX.....	66	191C.....	70
1-12A C.....	37	113-08-4-CX.....	66	192A.....	69
1-12A R.....	37	113-08-4-RX.....	66	192B.....	69
1-12DE C.....	38	113-08-5-CX.....	66	192C.....	69
1-12DL C.....	38	113-08-5-RX.....	66	193A.....	70
1-12K C.....	37	113-08-6-CX.....	66	193B.....	70
1-12KA C.....	37	113-08-6-RX.....	66	193C.....	70
1-12KA R.....	37	113-12-1.5-RX.....	67	196A.....	69
1-12KC C.....	37	113-12-2.5-RX.....	67	196B.....	69
1-12KC R.....	37	113-12-2-RX.....	67	196C.....	69
113-02-1.5-RX.....	66	113-12-3.5-RX.....	67	197A.....	70
113-02-2.5-RX.....	66	113-12-3-RX.....	67	197B.....	70
113-02-2-RX.....	66	113-12-4-RX.....	67	197C.....	70
113-02-3-RX.....	66	113-12-5-RX.....	67	197D.....	70
113-02-4-RX.....	66	113-12-6-RX.....	67	198B.....	70
113-04-1.5-RX.....	66	113-16-2-RX.....	67	199A.....	70
113-04-2.5-RX.....	66	113-16-4-RX.....	67	199B.....	70
113-04-2-RX.....	66	1-15A C.....	37	1AX.....	73
113-04-3.5-RX.....	66	1-15DL C.....	38	1DE.....	74
113-04-3-RX.....	66	1-15KC C.....	37	1DL.....	74
113-04-4-RX.....	66	1-15KC R.....	37	200A.....	70
113-04-6-RX.....	66	11X C.....	63	200B.....	70
113-06-1.5-CX.....	66	11X R.....	63	200C.....	70
113-06-1.5-RX.....	66	1-20A C.....	37	202A.....	70
113-06-2.5-CX.....	66	1-20A R.....	37	203A.....	70
113-06-2.5-RX.....	66	1-20DE C.....	38	204C.....	70
113-06-2-CX.....	66	1-20DL C.....	38	24X R.....	64
113-06-2-RX.....	66	1-20K C.....	37	3-12A C.....	37
113-06-3.5-CX.....	66	1-20KA R.....	37	3-12A R.....	37
113-06-3-CX.....	66	1-20KC C.....	37	3-12DE C.....	38
113-06-3-RX.....	66	1-20KC R.....	37	3-12DL C.....	38
113-06-4-CX.....	66	12X C.....	63	3-12KC C.....	37
113-06-4-RX.....	66	12X R.....	63	3-15A C.....	37
113-06-5.5-CX.....	66	1-30A C.....	37	3-20A C.....	37
113-06-5-CX.....	66	1-30A R.....	37	3-20A R.....	37

www.brasscraft.com

PART NUMBER INDEX

PART NO.	PAGE	PART NO.	PAGE	PART NO.	PAGE
3-30A C	37	69-6-6X	63	B1-20KC F	41
3-30A R	37	69-6-6X C	63	B1-24A F	41
3360 C	53	69-6-8X	63	B1-30A F	41
3362 C	53	69-6-8X C	63	B1-36A F	41
3-36A C	37	69-8-6X	63	B1-36DW F	42
33X C	63	69-8-6X C	63	B1-48A F	41
462-6-4X	64	69-8-8X	63	B1-48DW F	42
462-6-6X	64	70-6-6X	63	B1-48DW12 P	43
462-8-6X	64	70-6-8X	64	B1-48DW6 F	43
56825X C	75	70-6-8X C	64	B1-48DW6 P	43
56825X R	75	8489 C	75	B1-60A F	41
60-10	73	8491 C	75	B1-60DW F	42
60-4	73	90	71	B1-60DW1 P	43
60-6	73	90A	70	B1-60DW12 F	43
60-7	73	90B	70	B1-60DW12 P	43
60-8	73	90C	71	B1-60DW6 F	43
60PT-10	73	90D	71	B1-60DW6 P	43
60PT-4	73	90P	71	B1-6DL F	41
60PT-6	73	94D	71	B1-72DW F	42
60PT-8	73	96	71	B1-72DW1 P	43
61-10	73	96B	70	B1-72DW12 F	43
61-10 C	73	96C	71	B1-72DW12 P	43
61-4	72	96D	71	B1-72DW6 F	43
61-4 C	72	96P	71	B1-72DW6 P	43
61-6	72	97B	71	B1-9DL F	41
61-6 C	72	B0-120IM P	44	B1U-48DW612 D	43
61-7	72	B0-12IM F	44	B1U-72DW612 D	43
61-7 C	72	B0-60IM F	44	B2-12A F	41
61-8	72	B0-60IM P	44	B2-12DL F	41
61-8 C	72	B0-72IM F	44	B2-20A F	41
62-4DTX	63	B0-72IM P	44	B2-20DL F	41
62-6DTX	63	B0-84IM P	44	B3-12A F	41
63PT-10X	73	B0-96IM P	44	B3-12DL F	41
63PT-4X	73	B1-120DW F	43	B3-16A F	41
63PT-6X	73	B1-12A F	41	B3-20A F	41
63PT-8X	73	B1-12DL F	41	B3-20DL F	41
646	75	B1-12DLM F	42	B3-30A F	41
647	75	B1-12DW F	42	B3-48DW F	43
649	75	B1-12KC F	41	B3-9DL F	41
650 C	75	B1-16A F	41	B8-12A F	41
651 C	75	B1-16DL F	41	B8-12DL F	42
65-10-6X	63	B1-16DW F	42	B8-16A F	41
65-10-6X C	63	B1-16KC F	41	B8-16DL F	42
654 C	75	B1-20A F	41	B8-20A F	41
68-8DTX	63	B1-20DL F	41	B8-20DL F	42
69-10-8X	63	B1-20DW F	42	B8-24A F	41

INDEX

PART NO.	PAGE	PART NO.	PAGE	PART NO.	PAGE
B8-30A F	41	BWB0-12	56	CS403DLX C	49
B8-36A F	41	BWB0-15	56	CS407AX C	47
B8-48DW F	43	BWB0-18	56	CS40BX C	25
B8-48DW6 P	43	BWB0-18PX	57	CS40BX C1	25
B8-60DW F	43	BWB0-24	56	CS40X C	25
B8-60DW6 P	43	BWB05-18	56	CS41BX C	25
B8-9DL F	42	BWB08-18	56	CS41BX C1	25
BC8500	45	BWB08-24	56	CS41X C	25
BC8504	45	BWB0PS-18	57	CS425AX C	47
BC9441	71	BWB0PS-24	57	CS47BX C	25
BC96X	34	BWB20-12	57	CS600 R	38
BC97X	34	BWB20-15	57	CT2-664X P	64
BF1-12A F	41	BWB20-18	57	CT2-666X P	64
BF1-12DL F	42	BWB20-24	57	DRS44MX R	27
BF1-16A F	41	BWB25-18	57	DRS44MX R1	27
BF1-16DL F	42	BWB28-18	57	DRS83X R	27
BF1-20A F	41	BWB28-24	57	DRS83X R1	27
BF1-20DL F	42	C14X C	63	DRS84X R	27
BF3-12DL F	42	CB646 C	75	F0-6	68
BF3-12DLM F	42	CB647 C	75	F0-8 C	68
BF3-16DL F	42	CB649 C	75	F1-11E C	38
BF3-20DL F	42	CB650 C	75	F1-17C C	37
BL12-48WA F	42	CEPX19X C	25	F1-20C R	37
BL12-48WA P	42	CR1900DVX R	32	FR1701LRX R1	30
BL12-60WA F	42	CR1900DVX C	32	FR1901LRX C1	30
BL12-60WA P	42	CR1900DVX R	32	FR1911CX C	47
BL12-72WA F	42	CR1900LX C1	29	FR1917CX C	47
BL12-72WA P	42	CR1900LX R1	29	FR19X C	25
BL3-12DL F	42	CR1900RX C1	29	FR19X R	25
BL3-48DW F	43	CR1900RX R1	29	FR3911EX C	48
BL3-60DW F	43	CR1901DVX C	32	G23301X C	17
BL3-6DL F	42	CR1901DVX R	32	G23301X C1	17
BL3-72DW F	43	CR1901DVX C	32	G23305X C	17
BRPX04X C	25	CR1901DVX R	32	G23305X C1	17
BRPX04X R	25	CR1901LRB20AX C	51	G23341X C	16
BRPX09X C	25	CR1901LRX C1	29	G23341X C1	16
BRPX09X R	25	CR1901LRX R1	29	G23345X C	16
BRPX14X C	25	CR1903DVX R	32	G23345X C1	16
BRPX14X C1	25	CR2901RX C1	29	G2BRPX09X C	17
BRPX14X R	25	CR2901RX R1	29	G2BRPX14X C	17
BRPX1901LRX R1	29	CR3901LX C1	29	G2BRPX14X C1	17
BRPX19X C	25	CR3901LX R1	29	G2BRPX14X R	17
BRPX19X C1	25	CR3901RX C1	29	G2BRPX19X C	17
BRPX19X R	25	CR3901RX R1	29	G2BRPX19X C1	17
BRPX1BX C	25	CS400AX C	47	G2BRPX19X R	17
BRPX44X R	25	CS401DLX C	49	G2BRPX44X C	17

www.brasscraft.com

PART NUMBER INDEX

PART NO.	PAGE	PART NO.	PAGE	PART NO.	PAGE
G2BRPX44X R	17	G2R12X C	17	KTCR19X C	9
G2CEPX04X C	18	G2R12X C1	17	KTCR19X C1	9
G2CEPX09X C	18	G2R15X C	17	KTCR34X C	9
G2CEPX14X C	18	G2R15X C1	17	KTCR39X C	9
G2CEPX19X C	18	G2R17X C	17	KTCS400AX C	47
G2CR09X C	16	G2R17X C1	17	KTCS401DLX C	48
G2CR09X C1	16	G2R17X R	17	KTCS403DLX C	48
G2CR09X R	16	G2R37X C	17	KTCS40BX C	10
G2CR11X C	16	G2R37X C1	17	KTCS40X C	10
G2CR11X C1	16	HES-6-12WNMX	64	KTCS41BX C	10
G2CR14PXX C	16	HES-6-12X	64	KTPR04X R	11
G2CR14X C	16	HES-8-12X	64	KTPR14X C	11
G2CR14X C1	16	KT15-9 C	72	KTPR14X C1	11
G2CR14X R	16	KT3301X C	10	KTPR19X C	11
G2CR1912DLX C	47	KT3301X C1	10	KTPR19X C1	11
G2CR19B12DLX C	52	KT3341X C	9	KTR04X R	10
G2CR19B16AX C	51	KT3341X C1	9	KTR07X C	9
G2CR19B20AX C	51	KT3345X C	9	KTR09X C	10
G2CR19PXX C	16	KT3345X C1	9	KTR10X C	9
G2CR19X C	16	KTBRPX14X C	10	KTR10X C1	9
G2CR19X C1	16	KTBRPX1901DVX R	31	KTR12X C	9
G2CR19X R	16	KTBRPX1901DVX R1	31	KTR12X C1	9
G2CR19X R1	16	KTBRPX19X C	10	KTR14X C	10
G2CR34X C	16	KTBRPX44X C	10	KTR14X C1	10
G2CR34X C1	16	KTBRPX44X R	10	KTR14X R	10
G2CR34X R	16	KTCR04X C1	9	KTR15X C	9
G2CR39X C	16	KTCR04X R	9	KTR15X C1	9
G2CR39X C1	16	KTCR09X C	9	KTR17X C	9
G2CR39X R	16	KTCR09X C1	9	KTR17X C1	9
G2PR14X C	18	KTCR09X R	9	KTR19X C	10
G2PR14X C1	18	KTCR11FX C	9	KTR19X C1	10
G2PR19X C	18	KTCR11FX C1	9	KTR19X R	10
G2PR19X C1	18	KTCR11X C	9	KTR37X C	9
G2PR19X R	18	KTCR14X C	9	KTSCR14X C	12
G2PS09X C	18	KTCR14X C1	9	KTSCR19X C	12
G2PS14X C	18	KTCR1900DVX R	31	KTSCR39X C	12
G2PS14X C1	18	KTCR1900DVX R1	31	KTSCS400AX C	12
G2PS19X C	18	KTCR1901DVX R	31	KTSCS401DLX C	13
G2PS19X C1	18	KTCR1901DVX R	31	KTSCS40BX C	12
G2QPS14X C	19	KTCR1901DVX R1	31	KTSR14X C	12
G2QPS19X C	18	KTCR1901X R1	29	KTSR15X C	12
G2R07X C	17	KTCR19B12AX C	51	KTSR17X C	12
G2R07X C1	17	KTCR19B12DLMX C	51	KTSR19X C	12
G2R07X R	17	KTCR19B12DLX C	51	NEV3-C1X	33
G2R10X C	17	KTCR19B16AX C	51	NSWN-1 C	73
G2R10X C1	17	KTCR19B20AX C	51	NSWN-1 R	73

INDEX

PART NO.	PAGE	PART NO.	PAGE	PART NO.	PAGE
NSWN-2 C	73	OCR19PXX C	22	OR17B16AX C	51
NSWRA1	73	OCR19PXX R	22	OR17B20AX C	51
NV104-4-2X	33	OCR19X C	22	OR17X C	23
NV104-EE1X K1	33	OCR19X C1	22	OR17X C1	23
NV105-4X	33	OCR19X R	22	OR17X R	23
NV105-6X	33	OCR19X R1	22	OR17X R1	23
NV106-4-2X	33	OCR1BX C	22	OR32X C	23
O3301X C	24	OCR1BX C1	22	OR32X C1	23
O3301X C1	24	OCR29X C	22	OR35X C	23
O3301X R	24	OCR29X C1	22	OR37X C	23
O3305X C	24	OCR34X C	22	OR37X C1	23
O3305X C1	24	OCR34X C1	22	OR37X R	23
O3305X R	24	OCR34X R	22	OR82X C	23
O3341X C	22	OCR3912AX C	46	OR90X C	23
O3341X C1	22	OCR3920AX C	46	P1-12A	38
O3341X R	22	OCR3920AX R	46	P1-12DL	38
O3345X C	23	OCR39X C	22	P1-15DL	38
O3345X C1	23	OCR39X C1	22	P1-20A	38
OCR09X C	22	OCR39X R	22	P1-20DL	38
OCR09X C1	22	OFCR19X C	23	P1-30A	38
OCR09X R	22	OFR1711EX C	48	P1-36A	38
OCR11X C	22	OFR1717CX C	46	P14CX R	65
OCR11X C1	22	OFR17X C	24	P44CX R	65
OCR11X R	22	OFR37X C	24	P48FX R	65
OCR1412DLX C	48	OR07X C	23	P48MX R	65
OCR14PXX C	22	OR07X C1	23	P48WX R	65
OCR14X C	22	OR1012DLX C	48	P72FX R	65
OCR14X C1	22	OR10X C	23	P72MX R	65
OCR14X R	22	OR10X C1	23	PCT-10-6	19
OCR14X R1	22	OR10X R	23	PNEV-NCVX	33
OCR1912AX C	46	OR12X C	23	PR09X R	26
OCR1912AX R	46	OR12X C1	23	PR14X C	26
OCR1912DEX C	47	OR12X R	23	PR14X C1	26
OCR1912DLX C	47	OR1512AX C	46	PR14X R	26
OCR1912EX C	47	OR1512DLX C	48	PR1900DVX R	32
OCR1912KCX C	46	OR15B20AX C	51	PR1901DVX R	32
OCR1912KCX R	46	OR15X C	23	PR1901LRX R1	30
OCR1915AX C	46	OR15X C1	23	PR1920AX C	47
OCR1920AX C	46	OR15X R	23	PR19X C	26
OCR1920CX C	46	OR1712AX C	46	PR19X C1	26
OCR1920DLX C	47	OR1712DLX C	48	PR19X R	26
OCR19B12AX C	51	OR1715AX C	46	PR34X C	26
OCR19B12DLMX C	52	OR1715DLX C	48	PR34X R	26
OCR19B12DLX C	52	OR1720AX C	46	PR39X C	26
OCR19B16AX C	51	OR17B12AX C	51	PR39X R	26
OCR19B20AX C	51	OR17B12DLX C	52	PRB-12-8X	61

www.brasscraft.com

PART NUMBER INDEX

PART NO.	PAGE	PART NO.	PAGE	PART NO.	PAGE
R04X C	24	R3701RX C1	29	WB034-18N	58
R04X R	24	R3701RX R1	29	WB034-24N	58
R04X R1	24	R3703LRX C1	29	WB07-18	59
R09X C	24	R3703LRX R1	29	WB07-24	59
R09X C1	24	R39X C	24	WB10-18N	58
R09X R	24	R39X R	24	WB134-18N	58
R09X R1	24	S15-10 C	72	WB134-24N	58
R10-2+5	72	S15S-2+5TP	72	WB20-12N	59
R14X C	24	S15S-3 C	72	WB20-15N	59
R14X C1	24	SC	74	WB20-18N	59
R14X R	24	SJ300 C	74	WB20-24N	59
R14X R1	24	SJ300 R	74	WB23-18N	59
R15-10T C	72	SSR44MX C	27	WB234-12N	59
R15-10T R	72	SSR44MX R	27	WB234-15N	59
R15-10TP C	72	SSR83X R	27	WB234-18N	59
R15-5	72	SSR84X R	27	WB234-24N	59
R15-6	73	SWB00-12N	60	WB27-18	59
R15-6P	72	SWB00-15N	60	WC33-18	59
R15-78F	72	SWB00-18N	60	WC33-24	59
R15-9 C	72	SWB00-24N	60	WC43-12	59
R15S-2+5 R	72	SWB07-18N	60	WC43-15	59
R15S-2P+5	72	SWB0PS-12N	60	WC43-18	59
R15S-3 C	72	SWB0PS-15N	60	WC43-24	59
R1700DVX R	32	SWB0PS-18N	60	WC44-12	59
R1700RX C1	29	SWB0PS-24N	60	WC44-15	59
R1700RX R1	29	TK30RB21-18G3X	55	WC44-18	59
R1701DVX R	32	TK30RB21-18X	55	WC44-24	59
R1701LRX C1	29	TK30RB21-24G3X	55	WC65-15	59
R1701LRX R1	29	TK30RB21-24X	55	WC66-12	59
R1901LRX C1	29	TK3SRB21-18X	55	WD65-15	53
R1901LRX R1	29	TK3SRB21-24X	55	WRJ	61
R1912AX C	46	TS-6X	73	WRU-12-12X	61
R1912AX R	46	TS-8X	73	WWCD	61
R1912DLX C	48	TWV30RX	54	X15-10 C	72
R1912KAX R	46	TWV30X	54	XXR15-10R C	72
R1920AX C	46	TWV3SRX	55	XXR15-10R R	72
R19B12DLX C	52	TWV3SX	54		
R19X C	24	WB00-12N	58		
R19X C1	24	WB00-15N	58		
R19X R	24	WB00-18N	58		
R19X R1	24	WB00-24N	58		
R1BX C	24	WB03-15N	58		
R2700RX R1	29	WB03-18N	58		
R34X C	24	WB03-24N	58		
R34X R	24	WB034-12N	58		
R3700RX R1	29	WB034-15N	58		



BrassCraft®



Brasscraft Manufacturing Co.
39600 Orchard Hill Place
Novi, Michigan 48375-5331
TOLL-FREE: (877) 272-7755
FAX: (248) 305-6011

©2004-2019 Brasscraft Manufacturing Company

www.brasscraft.com

0300 Rev. 9/19