

SUBMITTAL SHEET

JOB NAME	ITEM TAG
JOB LOCATION	PART NUMBER
CONTRACTOR	DATE
ENGINEER APPROVAL	DATE

LEAD-FREE QUARTER-TURN BALL-TYPE CHROME SUPPLY STOP

T-597NL F1960 Cold-Expansion Inlet Connection

Lead-free design is suitable for all no-lead potable water installations, in full compliance of the National lead-free plumbing law.

Proprietary cold-expansion PEX inlet connection utilizes an exaggerated center barb and PEX reinforcing ring (not included) for a permanent, leak-free connection.

Quarter-turn, self-cleaning ball valve design resists mineral and scale build-up, assuring positive shutoff and re-opening.

The ball-seat operation and dual O-ring seal features, out-perform traditional multi-turn stop designs.

Compact lead-free forged brass chrome plated bodies are both durable and decorative.

An ideal upgrade replacement for worn, leaking stops that won't close completely.

Available in 1/4" O.D. x 3/8" O.D. or 3/8" O.D. x 3/8" O.D. compression outlet connections.

- Third-party tested and certified in compliance with U.S. Federal Public Law 111-380 (National lead-free plumbing law).
- PEX barb inlet connection complies with ASTM F1960 and is designed for PEX tubing conforming to ASTM F876 and F877.
- Manufactured in an ISO accredited facility.



Pictured:
T-597NL F1960
Cold-expansion

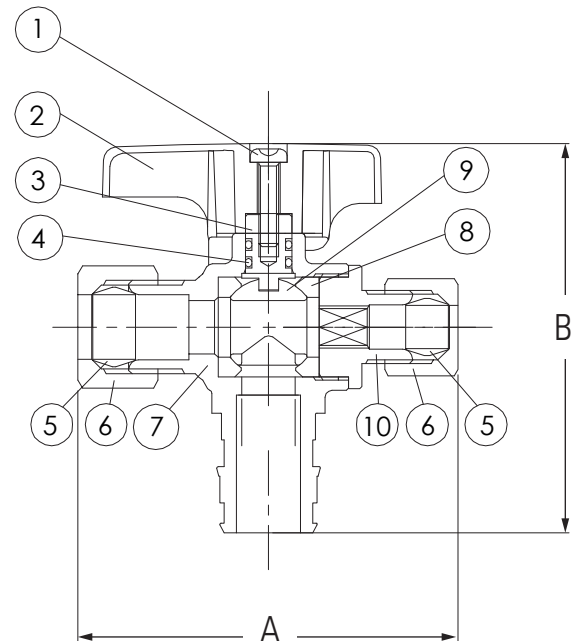


Working Pressure, Non Shock (PSI)

Cold working pressure (CWP):	125 CWP
Saturated steam (WSP):	Not suitable for steam service
Maximum service temperature:	120°F

MATERIAL SPECIFICATION			
PART	MATERIAL	SPECIFICATION	
1	Handle screw	Plated carbon steel	AISI 1010
2	Handle	Chrome plated zinc	ASTM B86
3	Stem	Lead-free brass	UNS Alloy C46400
4	Stem O-ring (2)	NBR (Buna-N) rubber	Commercial grade
5	Compression ferrule (2)	Brass	ASTM B135 UNS C26000
6	Compression nut (2)	Chrome plated brass	ASTM B16 UNS C36000
7	Body	Lead-free chrome plated brass	UNS Alloy C46400
8	Seat (2)	EPDM rubber	Commercial grade
9	Ball	Lead-free chrome plated brass	UNS Alloy C46400
10	End Adapter	Lead-free chrome plated brass	UNS Alloy C46400

DIMENSIONS			
Nominal Inlet x O.D. Outlet x O.D. Outlet		A	B
T-597NL Dual-outlet configuration: Cold-expansion PEX inlet x compression outlet			
1/2" F1960 PEX barb x 1/4" OD x 3/8" OD		2.24	2.32
1/2" F1960 PEX barb x 3/8" OD x 3/8" OD		2.32	2.32



Pictured:
T-597NL F1960 Cold-expansion
Cut-away