



# Morningside™

## Wall-mount Wheelchair Bathroom Sink

### K-12636-R

#### Features

- Made from premium materials that withstand high-volume usage
- Constructed of vitreous china
- 20"L x 27"W
- Wall-mount installation
- 4" center drilling
- Includes soap dispenser drilling on right
- Drilled for concealed arm carrier
- ADA-compliant when installed with K-13885 offset drain

#### Recommended Products/Accessories

- K-8998 P-Trap
- K-7131-A Offset Drain



ADA

#### Codes/Standards

ASME A112.19.2/CSA B45.1  
ADA  
ICC/ANSI A117.1




#### KOHLER® One-Year Limited Warranty

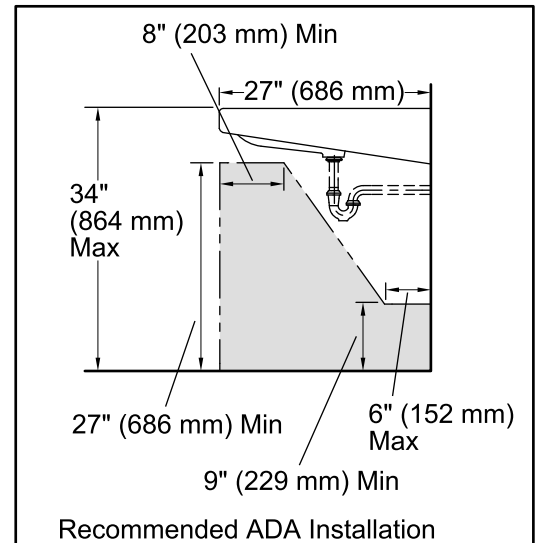
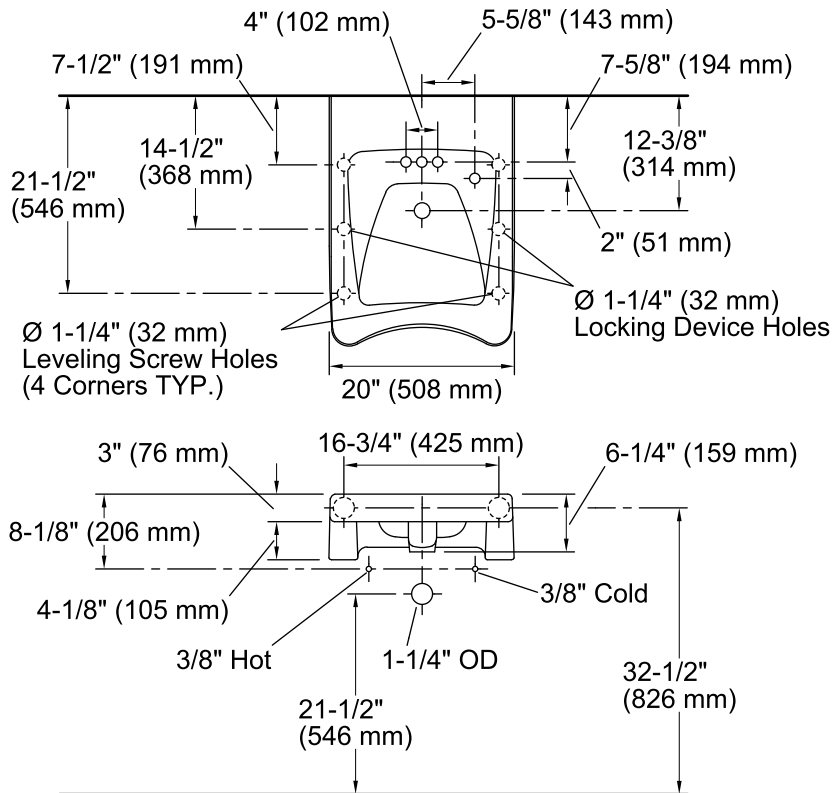
See website for detailed warranty information.

#### Available Colors/Finishes

*Color tiles intended for reference only.*

Color	Code	Description
-------	------	-------------

	0	White
	96	Biscuit
	47	Almond



### Technical Information

All product dimensions are nominal.

- Bowl configuration: Single
- Installation: Wall-mount
- Bowl area (Only): Length: 14" (356 mm)  
Width: 13" (330 mm)  
Water depth: 2-5/8" (67 mm)
- Number of deck holes: 4
- Faucet hole spacing: 4" (102 mm)
- Faucet hole(s): 1-1/4" (32 mm)
- Soap/Lotion hole: 1-1/4" (32 mm)
- Drain hole: 1-3/4" (44 mm)

### Notes

Install this product according to the installation instructions.

ADA compliant when installed to the specific requirements of these regulations.