



PUMP COMPANY

Zoeller Family of Water Solutions™

MAIL TO: P.O. BOX 16347 • Louisville, KY 40256-0347
 SHIP TO: 3649 Cane Run Road • Louisville, KY 40211-1961
 (502) 778-2731 • 1 (800) 928-PUMP • FAX (502) 774-3624

visit our web site:
www.zoeller.com

Product information presented here reflects conditions at time of publication. Consult factory regarding discrepancies or inconsistencies.

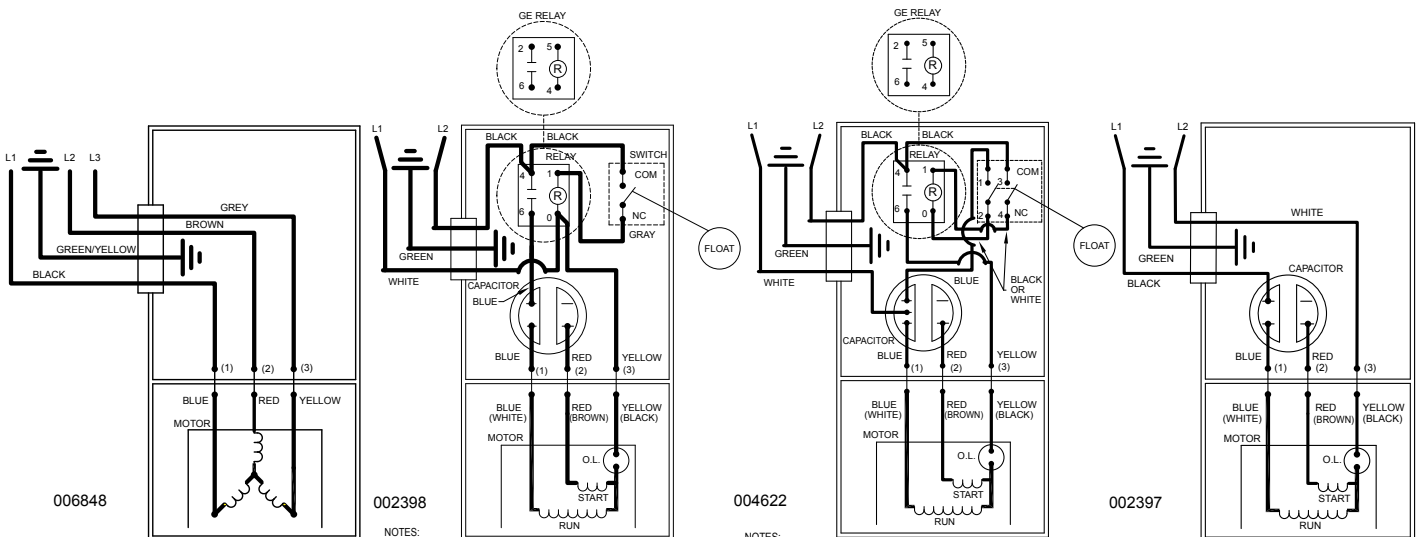
REPLACEMENT PARTS LIST FOR MODELS:

- F293 NONAUTOMATIC 230V/3PH
- G293 NONAUTOMATIC 460V/3PH
- BA293 NONAUTOMATIC 575V/3PH
- H293 NONAUTOMATIC 200V/1PH
- I293 NONAUTOMATIC 200V/1PH
- J293 NONAUTOMATIC 200V/3PH
- D293 AUTOMATIC 230V/1PH
- E293 NONAUTOMATIC 230V/1PH

TO ORDER REPLACEMENT PARTS:

PLEASE FURNISH THE FOLLOWING INFORMATION:

- Model Number
- Part Number of Pump
- Part Number and Description of part



WIRING DIAGRAM FOR MODELS "F293", "G293", "J293" & "BA293" 9/96 thru Current All Revisions

WIRING DIAGRAM FOR MODELS "D293-A", "D293-B", "H293-A" & "H293-B" 12/80 (YJ) thru 8/86 (US)

WIRING DIAGRAM FOR MODELS "D293-C", & "H293-C" 9/86 (VS) thru Current

WIRING DIAGRAM FOR MODELS "E293-A", "E293-B", "E293-C", "E293-D" & "I293" 12/80 (YJ) thru Current

REPLACEMENT PARTS LIST FOR MODEL "D293".

See page 9 for illustration.

REF. NO.	DESCRIPTION	QTY	NOTES	MODELS: D293-A					
				D293-B	D293-C	D293-D	D293-E	D293-F	
				12/80 thru 1/85	2/85 thru 8/86	9/86 thru 7/09	8/09 thru 1/16	2/16 thru 5/16	6/16 thru Current
1	Case Switch & Cord 230V/1Ph	1	2,3	002378	002378	004748	004748	004748	004748
2	• Guard	1		001023	001023	001023	001023	001023	001023
3	Case-Mach "160/180/280/290"	1	2	004748	004748	004614	004614	004614	004614
4	• Arm & Seal Asm "160/180/290"	1	2	002379	004745	004745	004745	004745	004745
5	• Gasket, Case/Cover	1		001011	001011	001011	001011	001011	001011
6	Switch Asm "160/180/290"	1	2	002380	002380	004744	004744	004744	004744
	Wire Asm-F-F(1)Wire Gy 7" Lg	1		002609	002609	NA	NA	NA	NA
7	• Wire Pkg (5) Wires	1		001070	001070	004749	004749	004749	004749
8	Relay 230V	1	2	217093	217093	217093	217093	153833	153833
9	Capacitor & Clamp Asm 20uf	1		002381	002381	002381	002381	002381	002381
10	Float, Plastic	1		094039	094039	094039	094039	094039	094039
11	Guide Asm, Flt Rod	1		001072	001072	001072	001072	001072	001072
12	Rod Asm, Flt	1		001043	001043	001043	150438	150438	150438
13	Housing, Mtr- & Strator 230/1Ph	1	1,6	002382	002382	002382	019655	019655	019655
14	Bearing, Sleeve	1		001012	001012	001012	NA	NA	NA
	Bearing, Upper Ball	1		NA	NA	NA	006703	006703	006703
15	• Handle	1		217069	217069	217069	217069	217069	217069
16	Cord Term&Seal 20'/230V/1Ph/A	1	3	002429	002429	002429	002429	002429	002429
17	Clamp, Strain Relief-Red	1	3	001770	001770	001770	001770	001770	001770
18	• Seal, Cord-Asm & Strain Relief	1	3	094032	094032	094032	094032	094032	094032
19	• Plug, Test-White	2		034090	034090	034090	034090	034090	034090
20	• Seal, Thru Wall Term	3		003402	003402	003402	003402	003402	003402
21	Rotor & Brg Asm	1	6	001074	001074	001074	019650	019650	019650
22	• Bearing,Radial	1		001013	001013	001013	010069	010069	010069
23	• Seal, Mtr Hsg	1		001014	001014	001014	001014	001014	001014
24	• Oil, Dielectric	1		002383	002383	002383	011066	011066	011066
25	Adapter-Mach 163/165/293	1		001003	001003	001003	001003	001003	001003
26	• Seal, Shaft	1		002430	002430	002430	002430	002430	002430
27	Flange Pkg 2" Npt	1		10-1305	10-1305	10-1305	10-1305	10-1305	10-1305
	Flange Pkg 3" Npt	1		10-1306	10-1306	10-1306	10-1306	10-1306	10-1306
28	Impeller "293" Bronze	1		001036	004222	004222	004222	004222	004216
	Impeller "293" Cast iron			NA	NA	NA	NA	NA	153999
29	Housing, Pump-Mach "293"	1		001005	001005	001005	001005	001005	001005
30	• Screw,#10-24 X.375 RHM-SI SS	2		001883	001883	001883	001883	001883	001883
31	• Screw, #6-32x.25RHM SI Tc Stlgr	5		001877	001877	001877	001877	001877	001877
32	• Screw, .25-20 X .75 HHm-SS	4		001916	001916	001916	001916	001916	001916
33	• Screw, #6-32x.438Rhs1p1"Stlzi	2		001877	001877	004644	001909	001909	001909
34	• Screw, .5-13 X 2 HH Cap-SS	2		001909	001909	001909	001909	001909	001909
35	• Washer, SS-1.25"Odx.562"dx.078	2		002115	002115	002115	002115	002115	002115
36	• Screw, .313-18x1 HH Cap-SS	4		002608	002608	002608	002608	002608	002608
37	• Screw, .25-20X1" HHM-SS	4		007790	007790	007790	007790	007790	007790
□	Rebuild Kit "160/185/293"			001076	001076	004747	019647	019647	019647

- Items included in Rebuild Kit.
- Not Shown in Illustration.

NOTES:

- 1) Mtr. Hsg., Brg., Stator & Term. (Item 13) is preassembled at the factory and must be replaced as a unit. Stator is permanently attached to the Motor Housing. Plug (Item 19); Seal, Thru Wall Term. (Item 20) and Bearing-Upper (Item 14) are replaceable.
- 2) When ordering these parts, customer must identify if switch is a General Electric Switch.
- 3) If an "X" follows Model No., or Date Mfg. on brass ID tag, consult factory for ordering any parts.
- 4) See FM0160 Parts Price Sheet for listing of parts prices.
- 5) "NA" indicates, not applicable.
- 6) When ordering specify either General Electric or Emerson motor.

REPLACEMENT PARTS LIST FOR MODEL "E293".

See page 9 for illustration.

REF. NO.	DESCRIPTION	QTY	NOTES	MODELS: E293-A					E293-B	E293-C	E293-D	E293-E
				12/80 thru 1/85	2/85 thru 8/86	9/86 thru 7/09	8/09 thru 5/16	6/16 thru Current				
1	• Handle	1		217069	217069	217069	217069	217069				
2	Cover & Cord 230V/1Ph	1	2	002401	002401	002401	002401	002401				
3	Cover-Mach Std Cd Or 3Ph "293"	1	2	001077	001077	001077	001077	001077				
4	• Gasket,Case/Cover	1		001011	001011	001011	001011	001011				
5	• Wire Pkg (5) Wires	1		001070	001070	004749	004749	004749				
6	Capacitor & Clamp Asm 20uf	1		002381	002381	002381	002381	002381				
7	Housing,Mtr-& Strator 230/1Ph	1	1,5	002382	002382	002382	019655	019655				
8	Bearing,Sleeve	1		001012	001012	001012	NA	NA				
	Bearing, Upper Ball	1		NA	NA	NA	006703	006703				
9	Cord Term&Seal 20'/230V/1Ph/Na	1	2	002402	002402	002402	002402	002402				
10	Clamp,Strain Relief-Red	1		001770	001770	001770	001770	001770				
11	• Seal,Cord-Asm & Strain Relief	1	2	094032	094032	094032	094032	094032				
12	• Plug,Test-White	2		034090	034090	034090	034090	034090				
13	• Seal,Thru Wall Term	3		003402	003402	003402	003402	003402				
14	Rotor & Brg Asm	1	5	001074	001074	001074	019650	019650				
15	• Bearing,Radial	1		001013	001013	001013	010069	010069				
16	• Seal,Mtr Hsg	1		001014	001014	001014	001014	001014				
17	• Oil,Dielectric	1		002383	002383	002383	011066	011066				
18	Adapter-Mach 163/165/293	1		001003	001003	001003	001003	001003				
19	• Seal,Shaft	1		002430	002430	002430	002430	002430				
20	Flange Pkg 2"Npt	1		10-1305	10-1305	10-1305	10-1305	10-1305				
	Flange Pkg 3"Npt	1		10-1306	10-1306	10-1306	10-1306	10-1306				
21	Impeller "293" Bronze	1		001036	004222	004222	004222	004222				
	Impeller "293" Cast iron			NA	NA	NA	NA	NA	153999			
22	Housing,Pump-Mach "293"	1		001005	001005	001005	001005	001005				
23	• Screw,#6-32x.25RHM SI Tc Stlgr	3		001877	001877	001877	001877	001877				
24	• Screw,#10-24 X.375 RHM-SI SS	1		001883	001883	001883	001883	001883				
25	• Screw,.25-20 X .75 HHm-SS	4		001916	001916	001916	001916	001916				
26	• Screw,.5-13 X 2 HH Cap-SS	2		001909	001909	001909	001909	001909				
27	• Washer,SS-1.25"Odx.562"Idx.078	2		002115	002115	002115	002115	002115				
28	• Screw,.313-18 X 1"HH Cap-SS	4		002608	002608	002608	002608	002608				
29	• Screw,.25-20X1" HHM-SS	4		007790	007790	007790	007790	007790				
□	Rebuild Kit "160/185/293"			001076	001076	004747	019648	019648				

• Items included in Rebuild Kit.

□ Not Shown in Illustration.

NOTES:

- 1) Mtr. Hsg., Brg., Stator & Term. (Item 7) is preassembled at the factory and must be replaced as a unit. Stator is permanently attached to the Motor Housing. Plug (Item 12); Seal, Thru Wall Term. (Item 13) and Bearing-Upper (Item 8) are replaceable.
- 2) If an "X" follows Model No., or Date Mfg. on brass ID tag, consult factory for ordering any parts.
- 3) See FM0160 Parts Price Sheet for listing of parts prices.
- 4) "NA" indicates, not applicable.
- 5) When ordering specify either General Electric or Emerson motor.

REPLACEMENT PARTS LIST FOR MODEL "F293".

See page 11 for illustration.

REF. NO.	DESCRIPTION	QTY	NOTES	MODELS: F293-A				
				F293-A	F293-B	F293-C	F293-D	F293-E
				4/81 thru 1/85	2/85 thru 8/86	9/86 thru 7/09	8/09 thru 5/16	6/16 thru Current
1	Handle	1		217069	217069	217069	217069	217069
2	• Cover & Cord	1	2	002963	002963	002963	002963	002963
3	Cover-Mach.	1	2	001077	001077	001077	001077	001077
4	• Gasket, Case/Cover	1		001011	001011	001011	001011	001011
5	Housing, Mtr-& Str	1	1,5	005472	005472	005472	019657	019657
6	Bearing, Sleeve	1		001012	001012	001012	N/A	N/A
	• Bearing, Radial	1		N/A	N/A	N/A	006703	006703
7	Clamp, Strain Relief	1	2	001770	001770	001770	001770	001770
8	Cord Term & Seal Asm	1	2	005131	005131	005131	005131	005131
9	• Seal, Cord-Asm & Strain Relief	1	2	011656	011656	011656	011656	011656
10	• Plug, Test-White	2		034090	034090	034090	034090	034090
11	• Seal, Thru Wall Term	3		003402	003402	003402	003402	003402
12	Rotor & Brg	1	5	004870	004870	004870	019651	019651
13	• Bearing, Radial	1		001013	001013	001013	010069	010069
14	• Seal, Mtr Hsg	1		001014	001014	001014	001014	001014
15	• Oil, Dielectric	1		003168	003168	003168	011066	011066
16	Adapter-Mach	1		001003	001003	001003	001003	001003
17	• Seal, Shaft	1		002430	002430	002430	002430	002430
18	Impeller Asm "293" Bronze	1		con. fact.	012218	012218	012218	012977
	Impeller Asm "293" Cast iron			N/A	N/A	N/A	N/A	154000
19	Flange Pkg 2" Npt	1		10-1305	10-1305	10-1305	10-1305	10-1305
	Flange Pkg 3" Npt	1		10-1306	10-1306	10-1306	10-1306	10-1306
20	Housing, Pump-Mach	1		001005	001005	001005	001005	001005
21	• Screw, #6-32 X .25 RHM SL TC Stlgr	1		001877	001877	001877	001877	001877
22	• Screw, .25-20 X .75 HHM-SS	4		001916	001916	001916	001916	001916
23	• Screw, .313-18 x 1 HH Cap-SS	4		002608	002608	002608	002608	002608
24	• Screw, .5-13 X 2 HH Cap-SS	2		001909	001909	001909	001909	001909
25	• Washer, SS-1.25Od X .562ld X .078	2		002115	002115	002115	002115	002115
26	• Screw, #10-24 X .375 RHM-SI SS	1		001883	001883	001883	001883	001883
27	• Screw, .25-20 X 1 HHm-SS	4		007790	007790	007790	007790	007790
28	Nut, 7/16-20 Acorn SS	1		004351	004351	004351	004351	004351
29	Spring, Bearing Preload	1		N/A	N/A	N/A	N/A	N/A
☐	Rebuild Kit	1		014193	014193	014193	019648	019648

• Items included in Rebuild Kit.

☐ Not Shown in Illustration.

NOTES:

- 1) Mtr. Hsg., Brg., Stator & Term. (Item 5) is preassembled at the factory and must be replaced as a unit. Stator is permanently attached to the Motor Housing. Plug (Item 10); Seal, Thru Wall Term. (Item 11) and Bearing-Upper (Item 6) are replaceable.
- 2) If an "X" follows Model No., or Date Mfg. on brass ID tag, consult factory for ordering any parts.
- 3) See FM0160 Parts Price Sheet for listing of parts prices.
- 4) "NA" indicates, not applicable.
- 5) When ordering specify either General Electric or Emerson motor.

REPLACEMENT PARTS LIST FOR MODELS "G293" AND "BA293".

See page 11 for illustration.

REF. NO.	DESCRIPTION	QTY	NOTES	MODELS: G293-A G293-B G293-C G293-D G293-E BA293-A BA293-B BA293-C								
				1/82 thru 1/85	2/85 thru 8/86	9/86 thru Current	8/09 thru 5/16	6/16 thru Current	2/85 thru 7/09	8/09 thru 5/16	6/16 thru Current	
1	Handle	1		217069	217069	217069	217069	217069	217069	217069	217069	217069
2	• Cover & Cord	1	2	002963	002963	002963	002963	002963	002963	002963	002963	002963
3	Cover-Mach.	1	2	001077	001077	001077	001077	001077	001077	001077	001077	001077
4	• Gasket, Case/Cover	1		001011	001011	001011	001011	001011	001011	001011	001011	001011
5	Housing, Mtr-& Str	1	1,5	003770	003770	003770	019658	019658	006287	019659	019659	019659
6	Bearing, Sleeve	1		001012	001012	001012	N/A	N/A	001012	N/A	N/A	N/A
	• Bearing, Radial	1		N/A	N/A	N/A	006703	006703	N/A	006703	006703	006703
7	Clamp, Strain Relief	1	2	001770	001770	001770	001770	001770	001770	001770	001770	001770
8	Cord Term & Seal Asm	1	2	005131	005131	005131	005131	005131	005131	005131	005131	005131
9	• Seal, Cord-Asm & Strain Relief	1	2	011656	011656	011656	011656	011656	011656	011656	011656	011656
10	• Plug, Test-White	2		034090	034090	034090	034090	034090	034090	034090	034090	034090
11	• Seal, Thru Wall Term	3		003402	003402	003402	003402	003402	003402	003402	003402	003402
12	Rotor & Brg	1	5	004870	004870	004870	019651	019651	004870	019651	019651	019651
13	• Bearing, Radial	1		001013	001013	001013	010069	010069	001013	010069	010069	010069
14	• Seal, Mtr Hsg	1		001014	001014	001014	001014	001014	001014	001014	001014	001014
15	• Oil, Dielectric	1		003168	003168	003168	011066	011066	003168	011066	011066	011066
16	Adapter-Mach	1		001003	001003	001003	001003	001003	001003	001003	001003	001003
17	• Seal, Shaft	1		002430	002430	002430	002430	002430	002430	002430	002430	002430
18	Impeller Asm "293" Bronze	1		con. fact.	012218	012218	012218	012977	012218	012218	012977	012977
	Impeller Asm "293" Cast iron			N/A	N/A	N/A	N/A	154000	N/A	N/A	154000	154000
19	Flange Pkg 2" Npt	1		10-1305	10-1305	10-1305	10-1305	10-1305	10-1305	10-1305	10-1305	10-1305
	Flange Pkg 3" Npt	1		10-1306	10-1306	10-1306	10-1306	10-1306	10-1306	10-1306	10-1306	10-1306
20	Housing, Pump-Mach	1		001005	001005	001005	001005	001005	001005	001005	001005	001005
21	• Screw, #6-32 X .25 RHM SL TC Stlgr	1		001877	001877	001877	001877	001877	001877	001877	001877	001877
22	• Screw, .25-20 X .75 HHM-SS	4		001916	001916	001916	001916	001916	001916	001916	001916	001916
23	• Screw, .313-18 x 1 HH Cap-SS	4		002608	002608	002608	002608	002608	002608	002608	002608	002608
24	• Screw, .5-13 X 2 HH Cap-SS	2		001909	001909	001909	001909	001909	001909	001909	001909	001909
25	• Washer, SS-1.25Od X .562Id X .078	2		002115	002115	002115	002115	002115	002115	002115	002115	002115
26	• Screw, #10-24 X .375 RHM-SI SS	1		001883	001883	001883	001883	001883	001883	001883	001883	001883
27	• Screw, .25-20 X 1 HHm-SS	4		007790	007790	007790	007790	007790	007790	007790	007790	007790
28	Nut, 7/16-20 Acorn SS	1		004351	004351	004351	004351	004351	004351	004351	004351	004351
29	Spring, Bearing Preload	1		N/A	N/A	N/A	N/A	N/A	N/A	N/A	N/A	N/A
▣	Rebuild Kit			014193	014193	014193	019648	019648	014193	019648	019648	019648

• Items included in Rebuild Kit.

▣ Not Shown in Illustration.

NOTES:

- 1) Mtr. Hsg., Brg., Stator & Term. (Item 5) is preassembled at the factory and must be replaced as a unit. Stator is permanently attached to the Motor Housing. Plug (Item 10); Seal, Thru Wall Term. (Item 11) and Bearing-Upper (Item 6) are replaceable.
- 2) If an "X" follows Model No., or Date Mfg. on brass ID tag, consult factory for ordering any parts.
- 3) See FM0160 Parts Price Sheet for listing of parts prices.
- 4) "NA" indicates, not applicable.
- 5) When ordering specify either General Electric or Emerson motor.

REPLACEMENT PARTS LIST FOR MODEL "H293".

See page 10 for illustration.

REF. NO.	DESCRIPTION	QTY	NOTES	MODELS:					
				H293-A	H293-B	H293-C	H293-D	H293-E	H293-F
				10/82 thru 1/85	2/85 thru 8/86	9/86 thru 7/09	8/09 thru 1/16	2/16 thru 5/16	6/16 thru Current
1	Case Sw & Cord	1	2,3	005383	005383	005383	005383	005383	005383
2	• Guard	1		001023	001023	001023	001023	001023	001023
3	Case-Mach.	1	2	005383	005383	004614	004614	004614	004614
4	• Arm & Seal Asm	1	2	002379	002379	004745	004745	004745	004745
5	• Gasket, Case/Cover	1		001011	001011	001011	001011	001011	001011
6	Switch Asm	1	2	002380	002380	004744	004744	004744	004744
7	• Wire Pkg (5) Wires	1		001070	001070	004749	004749	004749	004749
8	Relay	1		217093	217093	217093	217093	153833	153833
9	Capacitor & Clamp Asm	1		002381	002381	002381	002381	002381	002381
10	Float, Plastic	1		094039	094039	094039	094039	094039	094039
11	Guide Asm, Flt Rod	1		001072	001072	001072	001072	001072	001072
12	Rod Asm, Flt	1		001043	001043	001043	150438	150438	150438
13	Housing, Mtr-& Str	1	1,6	005529	005529	005529	019654	019654	019654
14	Bearing, Sleeve	1		001012	001012	001012	N/A	N/A	N/A
	• Bearing, Radial	1		N/A	N/A	N/A	006703	006703	006703
15	• Handle	1		217069	217069	217069	217069	217069	217069
16	Cord Term & Seal Asm	1	3	005384	005384	005384	005384	005384	005384
17	Clamp, Strain Relief	1	3	001770	001770	001770	001770	001770	001770
18	• Seal, Cord-Asm & Strain Relief	1	3	094032	094032	094032	094032	094032	094032
19	• Plug, Test-White	2		034090	034090	034090	034090	034090	034090
20	• Seal, Thru Wall Term	3		003402	003402	003402	003402	003402	003402
21	Rotor & Brg	1	6	001074	001074	001074	019650	019650	019650
22	• Bearing, Radial	1		001013	001013	001013	010069	010069	010069
23	• Seal, Mtr Hsg	1		001014	001014	001014	001014	001014	001014
24	• Oil, Dielectric	1		003168	003168	003168	011066	011066	011066
25	Adapter-Mach	1		001003	001003	001003	001003	001003	001003
26	• Seal, Shaft	1		002430	002430	002430	002430	002430	002430
27	Flange Pkg 2" Npt	1		10-1305	10-1305	10-1305	10-1305	10-1305	10-1305
	Flange Pkg 3" Npt			10-1306	10-1306	10-1306	10-1306	10-1306	10-1306
28	Impeller "293" Bronze	1		001036	001036	004222	004222	004222	004216
	Impeller "293" Cast iron			N/A	N/A	N/A	N/A	N/A	153999
29	Housing, Pump-Mach	1		001005	001005	001005	001005	001005	001005
30	• Screw, #10-24 X .375 RHM-SI SS	2		001883	001883	001883	001883	001883	001883
31	• Screw, #6-32 X .25 RHM SL TC Stlgr	5		001877	001877	001877	001877	001877	001877
32	• Screw, .25-20 X .75 HHM-SS	4		001916	001916	001916	001916	001916	001916
33	• Screw, #6-32 X .438 Rhsltp Stlzi	2		001877	001877	004644	004644	004644	004644
34	• Screw, .5-13 X 2 HH Cap-SS	2		001909	001909	001909	001909	001909	001909
35	• Washer, SS-1.25Od X .562ld X .078	2		002115	002115	002115	002115	002115	002115
36	• Screw, .313-18 x 1 HH Cap-SS	4		002608	002608	002608	002608	002608	002608
37	• Screw, .25-20 X 1 HHm-SS	4		007790	007790	007790	007790	007790	007790
□	Rebuild Kit			016103	016103	016103	019647	019647	019647

- Items included in Rebuild Kit.
- Not Shown in Illustration.

NOTES:

- 1) Mtr. Hsg., Brg., Stator & Term. (Item 13) is preassembled at the factory and must be replaced as a unit. Stator is permanently attached to the Motor Housing. Plug (Item 19); Seal, Thru Wall Term. (Item 20) and Bearing-Upper (Item 14) are replaceable.
- 2) When ordering these parts, customer must identify if switch is a General Electric Switch.
- 3) If an "X" follows Model No., or Date Mfg. on brass ID tag, consult factory for ordering any parts.
- 4) See FM0160 Parts Price Sheet for listing of parts prices.
- 5) "NA" indicates, not applicable.
- 6) When ordering specify either General Electric or Emerson motor.

REPLACEMENT PARTS LIST FOR MODEL "I293".

See page 10 for illustration.

MODELS: I293-A I293-B I293-C I293-D I293-E								
REF. NO.	DESCRIPTION	QTY	NOTES	4/81 thru 1/85	2/85 thru 8/86	9/86 thru 7/09	8/09 thru 5/16	6/16 thru Current
1	Handle	1		217069	217069	217069	217069	217069
2	Cover & Cord	1	2	013883	013883	013883	013883	013883
3	Cover-Mach.	1	2	001077	001077	001077	001077	001077
4	• Gasket, Case/Cover	1		001011	001011	001011	001011	001011
5	• Wire Pkg (5) Wires	1		001070	001070	004749	004749	004749
6	Capacitor & Clamp Asm	1		002381	002381	002381	002381	002381
7	Housing, Mtr- & Str	1	1,5	005529	005529	005529	019654	019654
8	Bearing, Sleeve	1		001012	001012	001012	N/A	N/A
	• Bearing, Radial			N/A	N/A	N/A	006703	006703
9	Cord Term & Seal Asm	1	2	005391	005391	005391	005391	005391
10	Clamp, Strain Relief	1	2	001770	001770	001770	001770	001770
11	• Seal, Cord-Asm & Strain Relief	1	2	094032	094032	094032	094032	094032
12	• Plug, Test-White	2		034090	034090	034090	034090	034090
13	• Seal, Thru Wall Term	3		003402	003402	003402	003402	003402
14	Rotor & Brg	1	5	001074	001074	001074	019650	019650
15	• Bearing, Radial	1		001013	001013	001013	010069	010069
16	• Seal, Mtr Hsg	1		001014	001014	001014	001014	001014
17	• Oil, Dielectric	1		003168	003168	003168	011066	011066
18	Adapter-Mach	1		001003	001003	001003	001003	001003
19	• Seal, Shaft	1		002430	002430	002430	002430	002430
20	Flange Pkg 2" Npt	1		10-1305	10-1305	10-1305	10-1305	10-1305
20	Flange Pkg 3" Npt	1		10-1306	10-1306	10-1306	10-1306	10-1306
21	Impeller "293" Bronze	1		001036	004222	004222	004222	004216
	Impeller "293" Cast iron			N/A	N/A	N/A	N/A	153999
22	Housing, Pump-Mach	1		001005	001005	001005	001005	001005
23	• Screw, #6-32 X .25 RHM SL TC Stlgr	3		001877	001877	001877	001877	001877
24	• Screw, #10-24 X .375 RHM-SI SS	2		001883	001883	001883	001883	001883
25	• Screw, .25-20 X .75 HHM-SS	4		001916	001916	001916	001916	001916
26	• Screw, .5-13 X 2 HH Cap-SS	2		001909	001909	001909	001909	001909
27	• Washer, SS-1.25Od X .562ld X .078	2		002115	002115	002115	002115	002115
28	• Screw, .313-18 x 1 HH Cap-SS	4		002608	002608	002608	002608	002608
29	• Screw, .25-20 X 1 HHm-SS	4		007790	007790	007790	007790	007790
▣	Rebuild Kit			014193	014193	014193	019648	019648

- Items included in Rebuild Kit.
- ▣ Not Shown in Illustration.

NOTES:

- 1) Mtr. Hsg., Brg., Stator & Term. (Item 7) is preassembled at the factory and must be replaced as a unit. Stator is permanently attached to the Motor Housing. Plug (Item 12); Seal, Thru Wall Term. (Item 13) and Bearing-Upper (Item 8) are replaceable.
- 2) If an "X" follows Model No., or Date Mfg. on brass ID tag, consult factory for ordering any parts.
- 3) See FM0160 Parts Price Sheet for listing of parts prices.
- 4) "NA" indicates, not applicable.
- 5) When ordering specify either General Electric or Emerson motor.

REPLACEMENT PARTS LIST FOR MODEL "J293".

See page 11 for illustration.

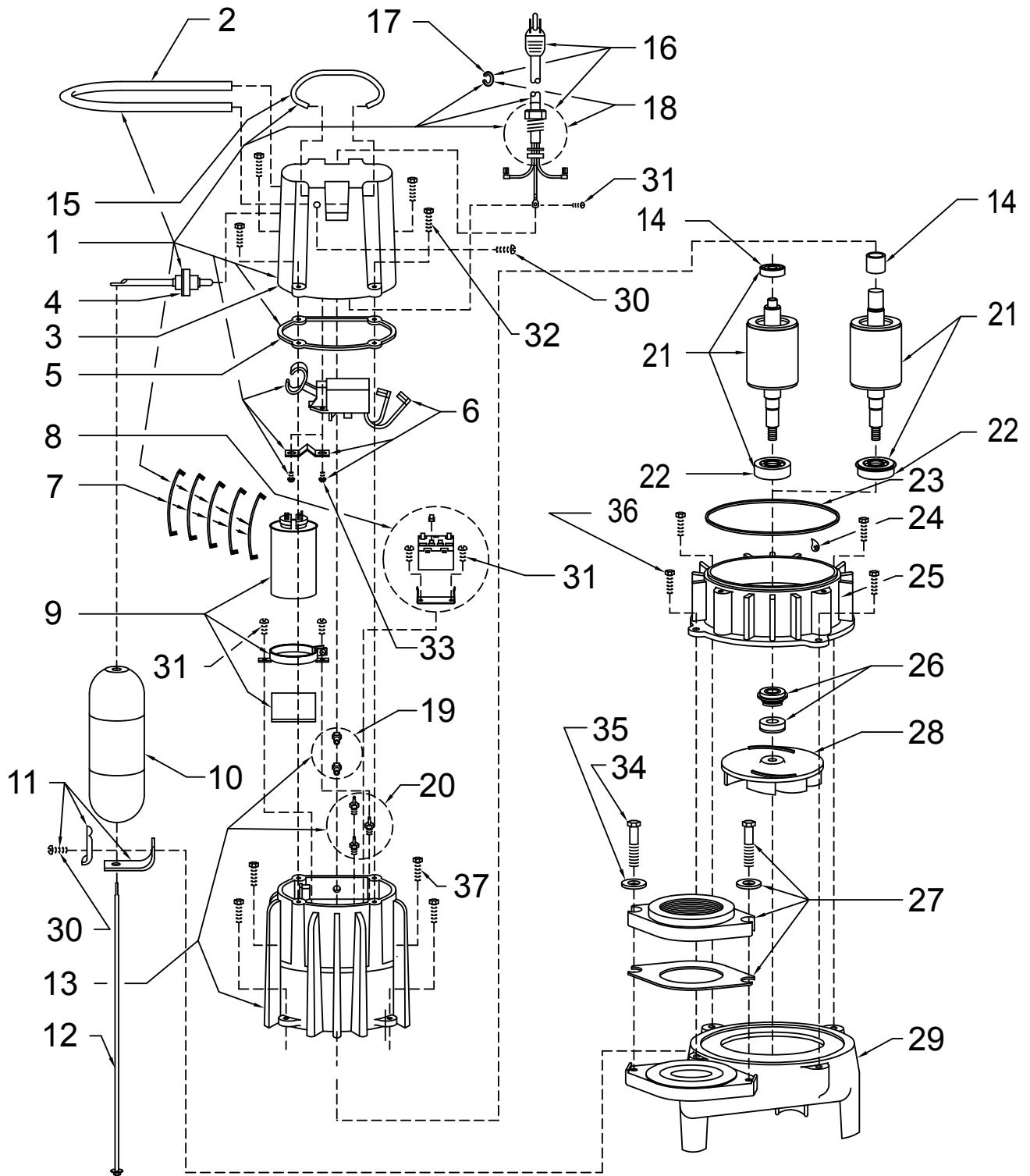
REF. NO.	DESCRIPTION	QTY	NOTES	MODELS:				
				J293-A	J293-B	J293-C	J293-D	J293-E
				12/80 thru 1/85	2/85 thru 8/86	9/86 thru 7/09	8/09 thru 5/16	6/16 thru Current
1	Handle	1		217069	217069	217069	217069	217069
2	Cover & Cord	1	2	002963	002963	002963	002963	002963
3	Cover-Mach.	1	2	001077	001077	001077	001077	001077
4	• Gasket, Case/Cover	1		001011	001011	001011	001011	001011
5	Housing, Mtr-& Str	1	1,5	004443	004443	004443	019656	019656
6	Bearing, Sleeve	1		001012	001012	001012	N/A	N/A
6	• Bearing, Radial	1		N/A	N/A	N/A	006703	006703
7	Clamp, Strain Relief	1	2	001770	001770	001770	001770	001770
8	Cord Term & Seal Asm	1	2	005131	005131	005131	005131	005131
9	• Seal, Cord-Asm & Strain Relief	1	2	011656	011656	011656	011656	011656
10	• Plug, Test-White	2		034090	034090	034090	034090	034090
11	• Seal, Thru Wall Term	3		003402	003402	003402	003402	003402
12	Rotor & Brg	1	5	004870	004870	004870	019651	019651
13	• Bearing, Radial	1		001013	001013	001013	010069	010069
14	• Seal, Mtr Hsg	1		001014	001014	001014	001014	001014
15	• Oil, Dielectric	1		003168	003168	003168	011066	011066
16	Adapter-Mach	1		001003	001003	001003	001003	001003
17	• Seal, Shaft	1		002430	002430	002430	002430	002430
18	Impeller Asm "293"	1		con. fact.	012218	012218	012218	012977
	Impeller Asm "293"			N/A	N/A	N/A	N/A	154000
19	Flange Pkg 2" Npt	1		10-1305	10-1305	10-1305	10-1305	10-1305
	Flange Pkg 3" Npt			10-1306	10-1306	10-1306	10-1306	10-1306
20	Housing, Pump-Mach	1		001005	001005	001005	001005	001005
21	• Screw, #6-32 X .25 RHM SL TC Stlgr	1		001877	001877	001877	001877	001877
22	• Screw, .25-20 X .75 HHM-SS	4		001916	001916	001916	001916	001916
23	• Screw, .313-18 x 1 HH Cap-SS	4		002608	002608	002608	002608	002608
24	• Screw, .5-13 X 2 HH Cap-SS	2		001909	001909	001909	001909	001909
25	• Washer, SS-1.25Od X .562ld X .078	2		002115	002115	002115	002115	002115
26	• Screw, #10-24 X .375 RHM-SI SS	1		001883	001883	001883	001883	001883
27	• Screw, .25-20 X 1 HHm-SS	4		007790	007790	007790	007790	007790
28	Nut, 7/16-20 Acorn SS	1		004351	004351	004351	004351	004351
29	Spring, Bearing Preload	1		N/A	N/A	N/A	N/A	N/A
☐	Rebuild Kit			014193	014193	014193	019648	019648

- Items included in Rebuild Kit.
- ☐ Not Shown in Illustration.

NOTES:

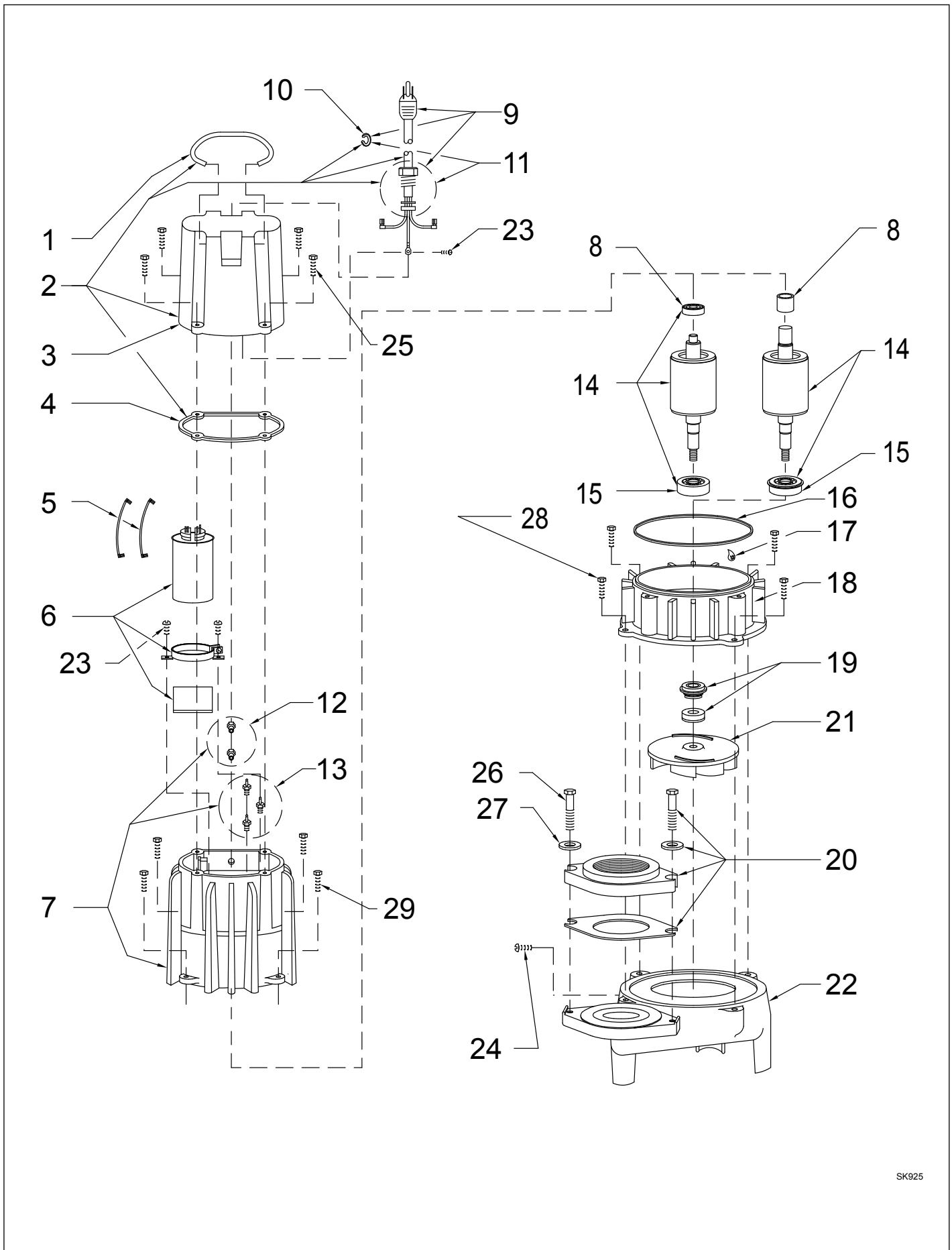
- 1) Mtr. Hsg., Brg., Stator & Term. (Item 5) is preassembled at the factory and must be replaced as a unit. Stator is permanently attached to the Motor Housing. Plug (Item 10); Seal, Thru Wall Term. (Item 11) and Bearing-Upper (Item 6) are replaceable.
- 2) If an "X" follows Model No., or Date Mfg. on brass ID tag, consult factory for ordering any parts.
- 3) See FM0160 Parts Price Sheet for listing of parts prices.
- 4) "NA" indicates, not applicable.
- 5) When ordering specify either General Electric or Emerson motor.

REPLACEMENT PARTS ILLUSTRATION FOR MODELS "D293" AND "H293".



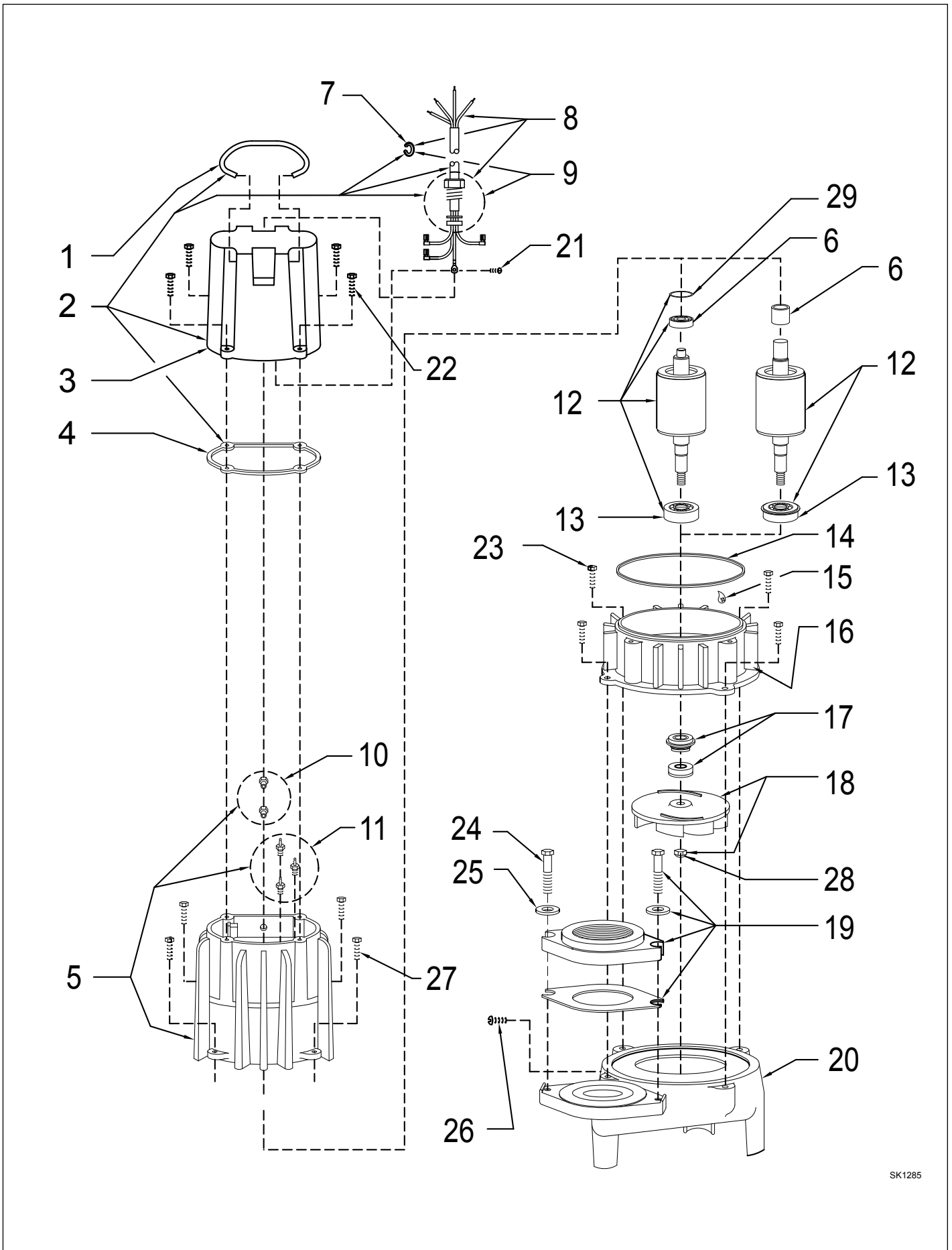
SK265

REPLACEMENT PARTS ILLUSTRATION FOR MODELS "E293" & "I293".



SK925

REPLACEMENT PARTS ILLUSTRATION FOR MODELS "F293", "G293", "BA293" & "J293".



SK1285

NOTES



PUMP COMPANY

MAIL TO: P.O. BOX 16347 • Louisville, KY 40256-0347
SHIP TO: 3649 Cane Run Road • Louisville, KY 40211-1961
(502) 778-2731 • 1 (800) 928-PUMP • FAX (502) 774-3624

Your Peace of Mind is Our Top Priority®

visit our web site:
www.zoeller.com