

### Features

- Quarter-turn washerless ceramic disc valves.
- Vandal resistant aerator. Lower flow aerators available.
- Lever handle with red and blue indexing.
- For 8" (203 mm) centers.
- 9 5/16" (237 mm) swing /rigid spout.
- Less drain.

### Material

- Brass construction.
- Brass valve bodies.
- 1.8 gpm (6.8 lpm) maximum flow rate at 60 psi (4.1 bar).

### Recommended Products/Accessories

K-23723 Faucet cleaner



ADA CSA B651

### Codes/Standards

ASME A112.18.1/CSA B125.1  
NSF/ANSI 61  
NSF/ANSI 372  
DOE - Energy Policy Act 1992  
California Energy Commission (CEC)  
ADA  
ICC/ANSI A117.1  
CSA B651

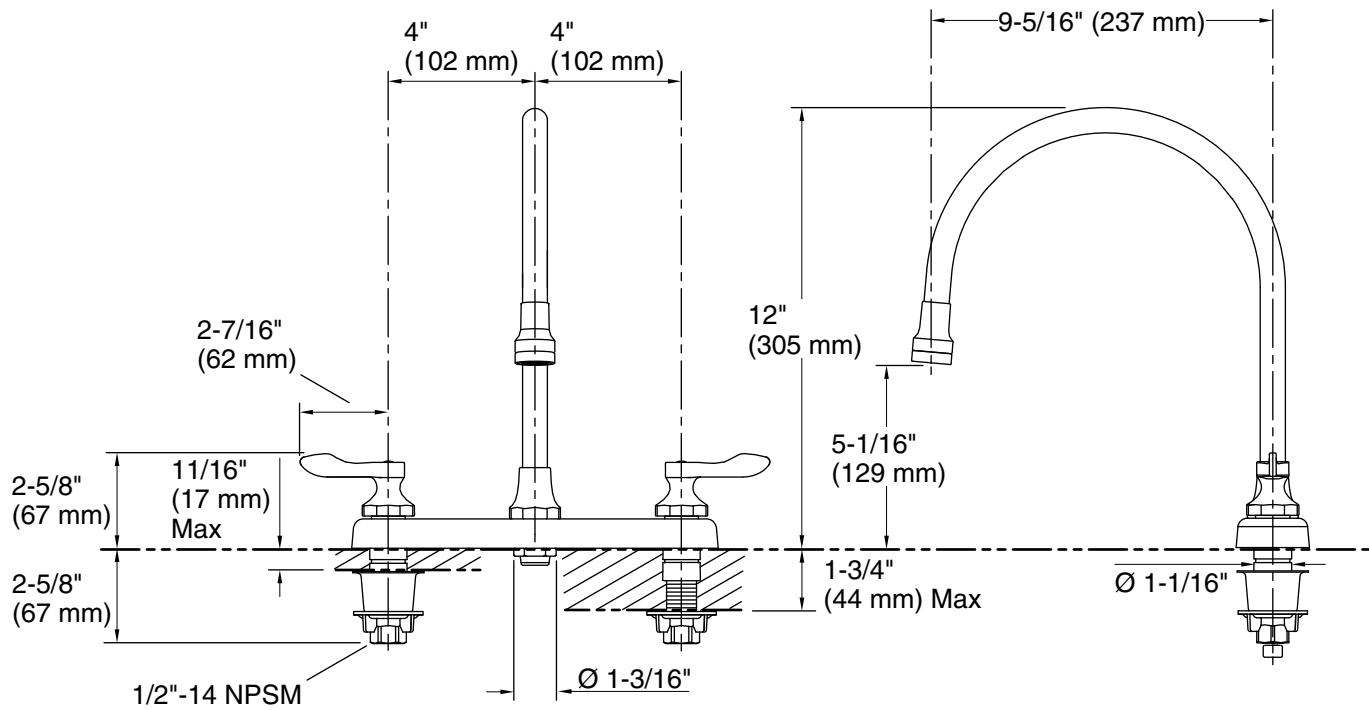
### KOHLER® One-Year Limited Warranty

See website for detailed warranty information.

### Available Colors/Finishes

*Color tiles intended for reference only.*

Color	Code	Description
	CP	Polished Chrome



**Technical Information**

All product dimensions are nominal.

**Faucet:**

Flow rate: 1.8 gal/min (6.8 l/min)

Pressure: 60 psi (4.1 bar)

**Spout:**

Spout reach: 9-5/16" (236 mm)

**Notes**

Install this product according to the installation guide.

ADA, CSA B651 compliant when installed to the specific requirements of these regulations.