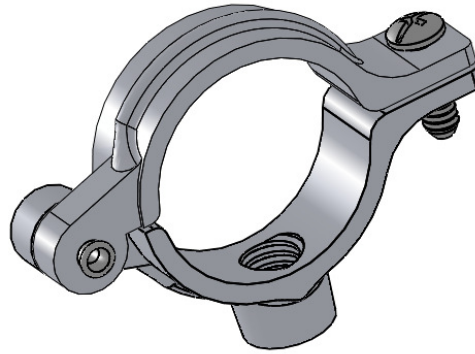
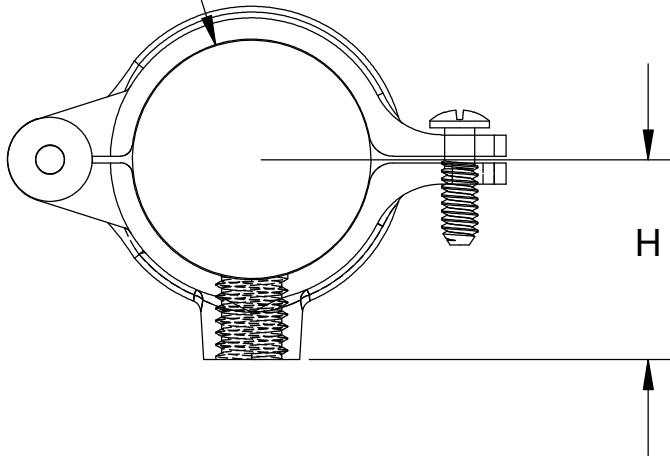


THE INFORMATION CONTAINED IN THIS DRAWING IS THE SOLE PROPERTY OF GREENFIELD MFG CO ANY REPRODUCTION IN PART OR WHOLE WITHOUT THE WRITTEN PERMISSION OF GREENFIELD MFG CO IS PROHIBITED.



PIPE SIZE



PIPE SIZE	THREAD	H	WT / C APPROX	MAX REC LOAD LBS
3/8	3/8-16 UNC	0.69	10	180
1/2	3/8-16 UNC	0.82	10	180
3/4	3/8-16 UNC	0.94	12	180
1	3/8-16 UNC	1.06	14	180
1-1/4	3/8-16 UNC	1.23	19	180
1-1/2	3/8-16 UNC	1.31	21	180
2	3/8-16 UNC	1.62	30	180
2-1/2	1/2-13 UNC	1.93	55	300
3	1/2-13 UNC	2.38	80	300
4	1/2-13 UNC	2.87	110	300

MADE IN CHINA OR INDIA

UNLESS OTHERWISE SPECIFIED DIMENSIONS ARE IN INCHES TOLERANCES ARE: FRACTIONS DECIMALS ANGLES +/- 1/8 .XX +/- .03 .XX + 1 .XXX +/- .01	CAD GENERATED DRAWING, DO NOT MANUALLY UPDATE		GREENFIELD MFG CO 9800 BUSTLETON AVE, PHILA., PA 19115	
	APPROVALS DRAWN EG CHECKED LB	DATE 3/23 3/23	GALV SPLIT RING IRON PIPE	
MATERIAL DUCTILE IRON ZINC PLATED FINISH	SCALE CAD FILE: 385.SLDDRW		P/N FIG 385 REV.	
DO NOT SCALE DRAWING		SHEET OF		