

Barnes & Jones Vacuum Breakers are simple, reliable devices that provide a positive means to automatically relieve or "break" an unwanted vacuum condition. The rugged hex design provides for long service life and ease of installation. Bubble tight sealing is assured due to the soft silicon O-ring and spring pressure against the valve.

Applications

- Air/Heat Coils for Space Heating
- Process Air Heater
- Shell & Tube Heat Exchanger
- Make-Up Air Coils
- Textile Dry Cans
- Steam Boilers
- Storage Heaters
- Jacketed Kettles
- Steam Main Zoning
- One Pipe Steam Non-Electric Valve

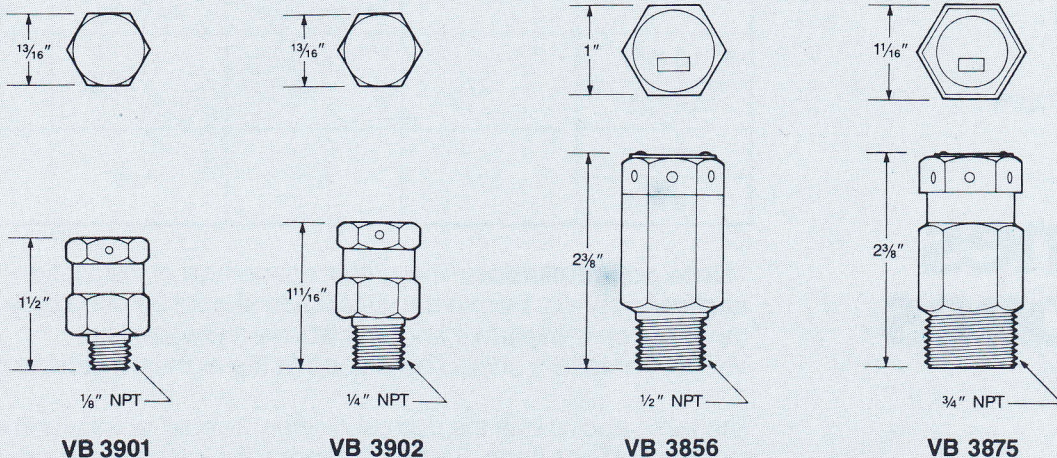


Figure 2

Vacuum Breaker Engineering Specifications

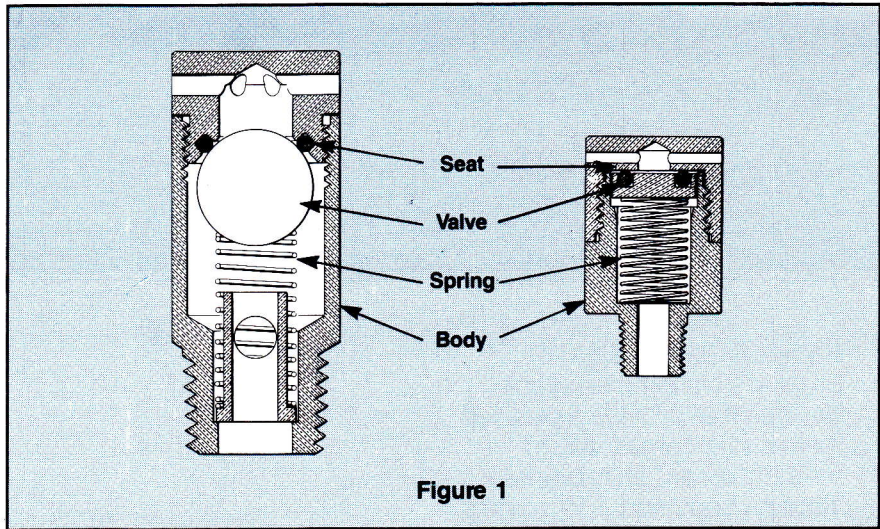


Figure 1

Materials

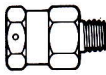
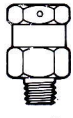


Model No.	Body	Spring	Valve	Seat
VB 3901	Brass	Stainless Steel	Brass and Silicon	Brass
VB 3902				
VB 3856	Brass	Stainless Steel	Stainless Steel	Silicon
VB 3875				

Models are available in four NPT Pipe Sizes. They are 1/8", 1/4", 1/2" and 3/4", all of which are rated for use with pressures up to 125 PSIG (8.6 Bar), and temperatures to 350°F (180°C). Materials of construction are listed in the table above.

Vacuum Required to Open

(INCHES OF MERCURY)

**Barnes
& Jones**
INC.

Model No.	Horizontal*	Vertical		
		 Bottom Outlet	 Top Outlet	 No Spring
VB 3901	1.27	1.25	1.75	0.2
VB 3902				
VB 3856	0.77	0.75	1.25	0.3
VB 3875				

***Note on installation:** The preferred method of installation is in the **vertical** position. Horizontal installation should be used only if no other option is available and only above the water line. Vacuum breakers should be placed at the highest practical points.

The table above lists the corresponding "break" points for the various models and positions. Barnes & Jones will Custom Engineer to customer requirements in applications that require other "break" points.