



Cinch®

Under-Mount Kitchen Sink

11722

Features

- No faucet holes; requires wall- or counter-mount faucet.
- 9-5/16" (237 mm) depth.
- 3-5/8" (92 mm) drain opening.
- Stainless steel with luster finish.

Material

- Premium 18-gauge stainless steel.

Installation

- Undermount.

Recommended Products/Accessories

7400 Sink Strainer
15287 Sink Rack
K-23726 Drain treatment
K-23729 Stainless steel cleaner

Included Components

Product consists of:
91915 Hardware Kit

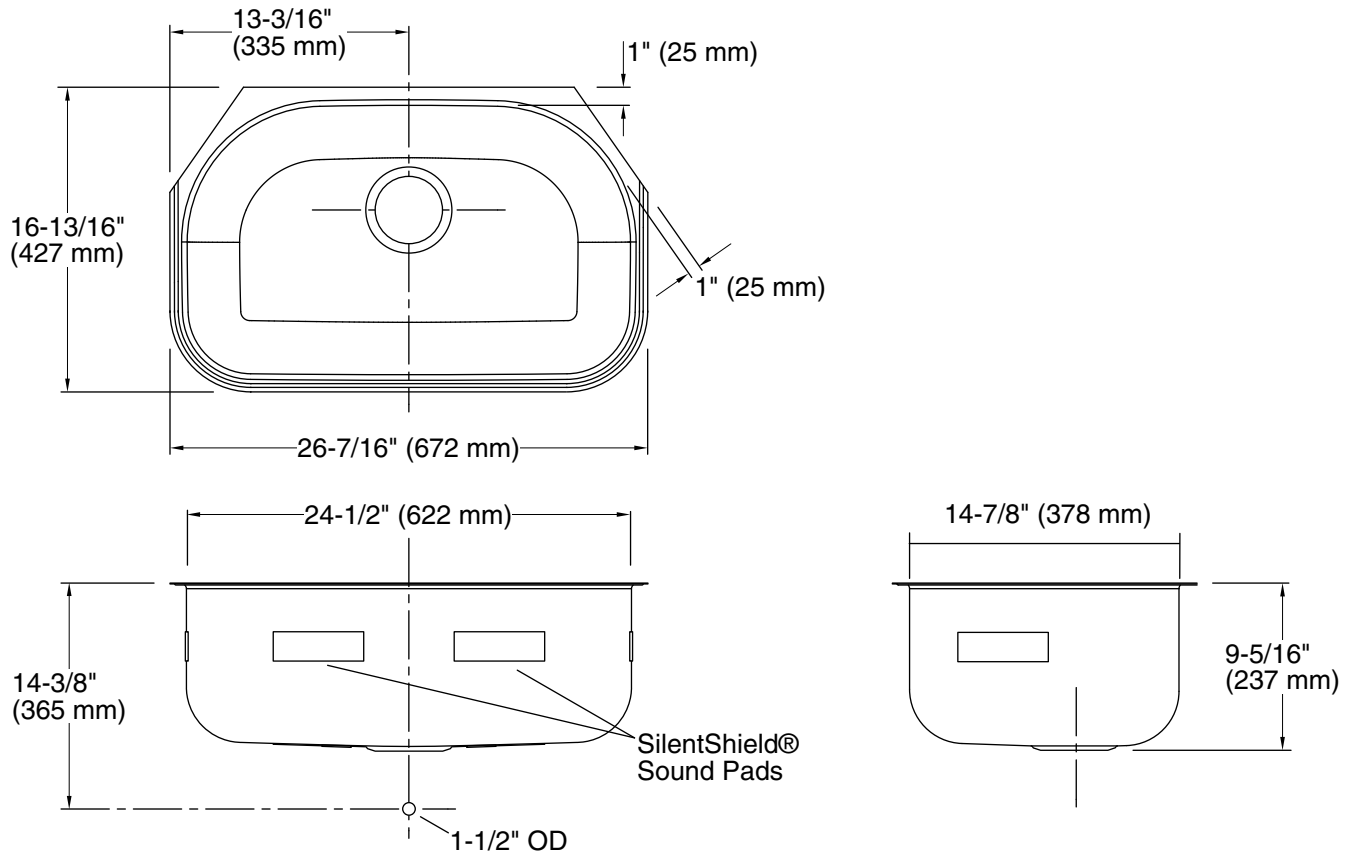


Codes/Standards

ASME A112.19.3/CSA B45.4

STERLING® Warranty - Stainless Steel Sinks

See website for detailed warranty information.



Technical Information

All product dimensions are nominal.

Bowl configuration: Single

Installation: Under-mount

Min. base cabinet width: 30" (762 mm)

Bowl area (Only): Length: 24-1/2" (622 mm)
Width: 14-7/8" (378 mm)
Bowl depth: 9-5/16" (237 mm)
Water depth: 9-5/16" (237 mm)

Drain hole: 3-5/8" (92 mm)

Template: 1105665-7, required, included

Notes

Install this product according to the installation instructions.

Measure your actual product for roughing-in details.