

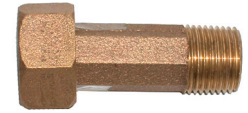
SUBMITTAL SHEET

JOB NAME		ITEM TAG
JOB LOCATION		PART NUMBER
CONTRACTOR	DATE	
ENGINEER APPROVAL	DATE	

BRONZE METER COUPLING

Model T-4215

Furnished with EPDM washer
 Conforms to A.W.W.A. Specifications
 C-800 underground service line valves and fittings
Working Pressure, Non Shock (PSI)
 Cold working pressure (CWP): 100 PSI

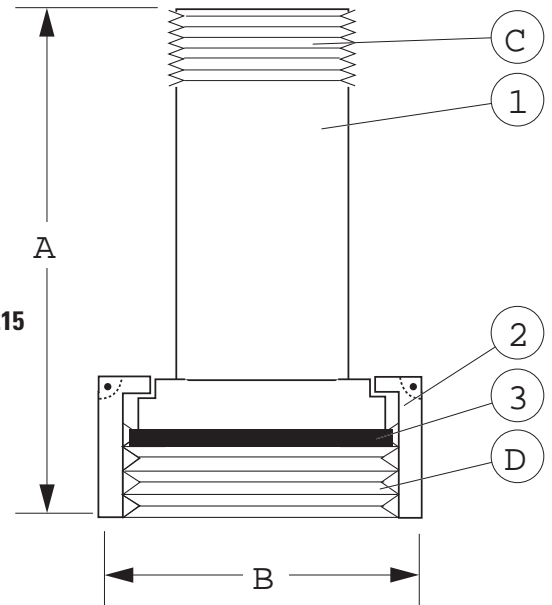


Pictured
Model T-4215

DIMENSIONS T-31

Size	A	B	C	D
1/2"	2.20	1/2" MIP	1/2" MIP	A.W.W.A. 3/4" Straight threads
3/4"	3.00	3/4" MIP	3/4" MIP	A.W.W.A. 1" Straight threads
1"	3.22	1" MIP	1" MIP	A.W.W.A. 1-1/4" Straight threads

Pictured
Model T-4215
Cut-away



MATERIAL SPECIFICATION

PART	MATERIAL	SPECIFICATION
1 Tailpiece	Bronze	ASTM B62 UNS C83600/C89836
2 Nut	Bronze	ASTM B62 UNS C83600
3 Washer	Epdm	Commercial grade