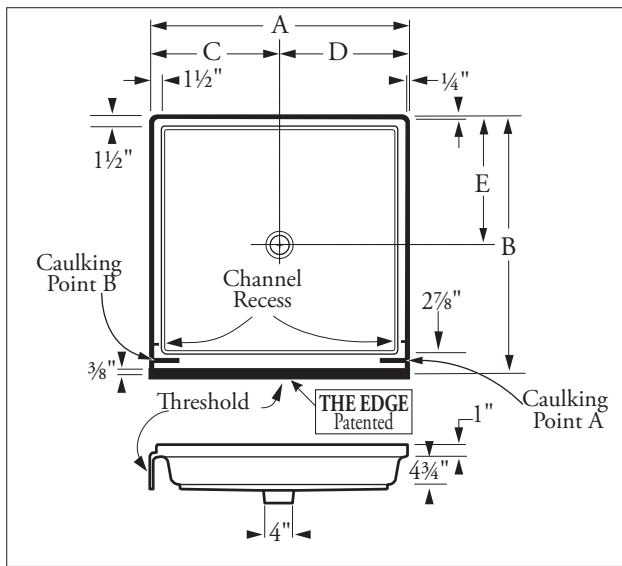




One Piece, single threshold model for recessed installation. Features 1" flange on three remaining sides. Note: The Edge is a 4th Flange. Integral drain with Wedge-Lok[®] Seal.



Edge Dimension: 3/8" w x 3/8" h

| Model | A | B | C | D | E | WT. |
|--------|-----|-----|-----|-----|-----|-----|
| 3636-1 | 36" | 36" | 18" | 18" | 18" | 44 |
| 3642-1 | 36" | 42" | 18" | 18" | 21" | 53 |
| 4234-1 | 42" | 34" | 21" | 21" | 17" | 54 |
| 4242-1 | 42" | 42" | 21" | 21" | 21" | 58 |
| 4832-1 | 48" | 32" | 24" | 24" | 16" | 54 |
| 4834-1 | 48" | 34" | 24" | 24" | 17" | 56 |
| 6034-1 | 60" | 34" | 30" | 30" | 17" | 66 |

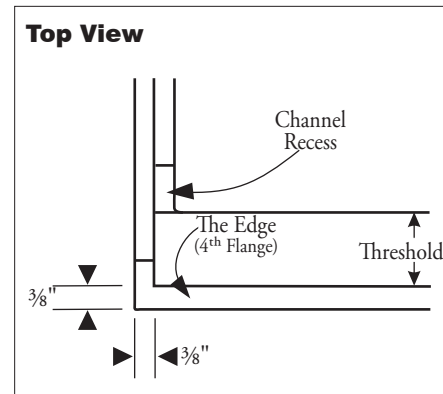
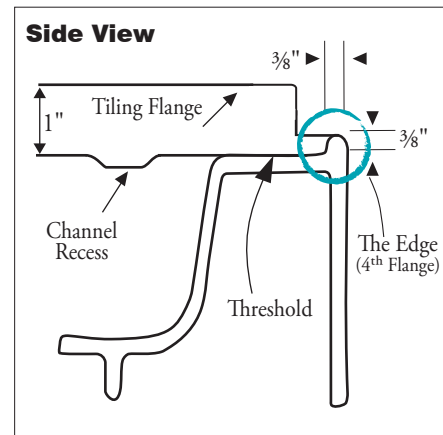
Dimensions subject to change without notice. Contact Florestone Products to verify product specifications.

Standards:

I.A.P.M.O. International Association of Plumbing and Mechanical Officials
File No. 0687.
ANSI American National Standards Institute - Specifications Z-124.2.
HUD/FHA National Specifications UN-73.



**Florestone
Recess Shower Receptors
with THE EDGE
Patent No. US D540, 926 S**



FLORESTONE PRODUCTS CO., INC.

2851 Falcon Drive • Madera, CA 93637

T. 559.661.4171 • T. 800.446.8827

F. 559.661.2070 • florestone.com

Florestone Saflor® Recess Shower Receptors

Architect's Specifications

Furnish and install Saflor® Shower Receptor manufactured by Florestone Products Co. (Model Number - see table.) The receptor shall be furnished with slip-resistant design that does not interfere with the flow of water nor trap it. Receptor to have integral molded drain (Note: 3634-1 not available with integral drain or as a Corner Model). Receptor to have not less than 1" flange on remaining sides. Receptor to be stain, and fungus resistant. Color to be off-white (unless other specified) and will be resistant to fading and abrasion.

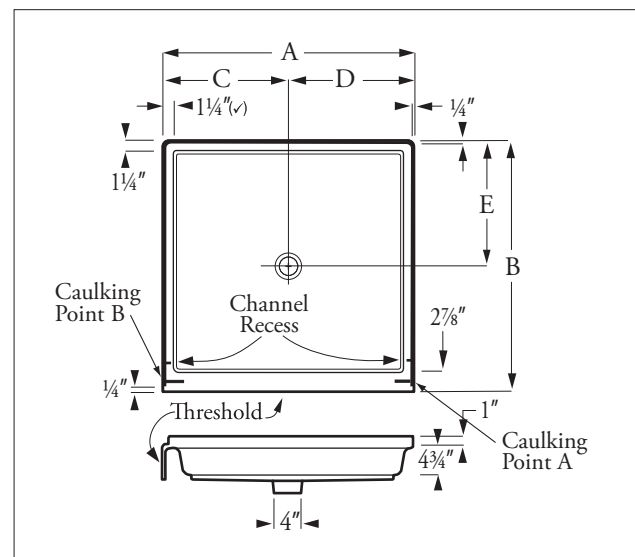
Model shall conform to ANSI-Z124.1.2-2005

SAFLOR® Options and Accessories

| | |
|--------------------|-------------------|
| Biscuit, Bone | Strainer, Chrome |
| Josam Jiffy-Joint™ | Strainer, Plastic |
| Wedge-Lok® Seal | Repair Kit |
| Strainer, Brass | |



One piece, single threshold model for recessed installation. Features 1" flange on three remaining sides. Integral drain with Wedge-Lok® Seal.



| Model | A | B | C | D | E | WT. |
|----------|---------|---------|---------|---------|-----|-----|
| 3232-1* | 32" | 32" | 16" | 16" | 16" | 40 |
| 3434-1 | 34" | 34" | 17" | 17" | 17" | 42 |
| 3634-1** | 35 1/2" | 33 1/2" | 17 1/2" | 17 3/4" | 16" | 56 |
| 5434-1 | 54" | 34" | 27" | 27" | 17" | 76 |
| 6032-1 | 60" | 32" | 30" | 30" | 16" | 76 |

* Does not meet I.A.P.M.O. minimum size requirements. Check local codes.

** Integral drain not available with this model (3634-1). Supplied with 101 PNC non-caulk drain.

**Dimensions subject to
change without notice**

**Contact Florestone Products to
verify product specifications.**



FLORESTONE PRODUCTS CO., INC.

2851 Falcon Drive • Madera, CA 93637

T. 559.661.4171 • T. 800.446.8827

F. 559.661.2070 • florestone.com

Standards:

I.A.P.M.O. International Association of Plumbing and Mechanical Officials
File No. 0687.

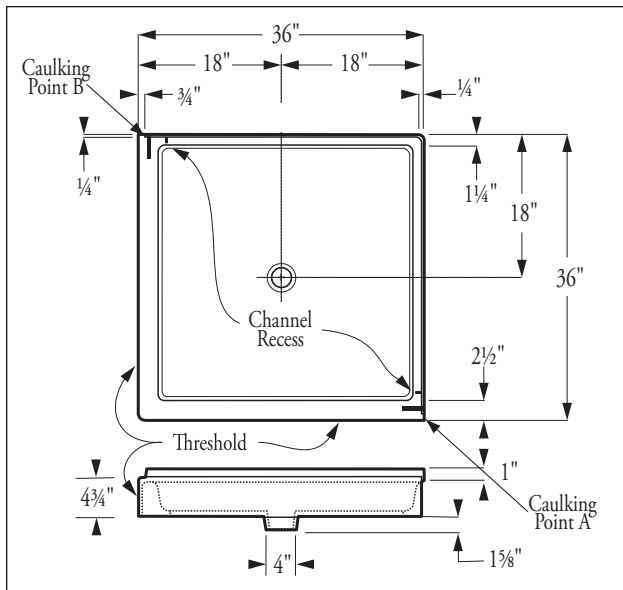
ANSI American National Standards Institute - Specifications Z-124.2.

HUD/FHA National Specifications UN-73.





One piece, double threshold model for corner installation. Square 36" x 36" dimension allows either right-hand or left-hand corner installation.



| Model | Weight |
|--------|--------|
| 3636-2 | 53 |

Dimensions subject to change without notice.
Contact Florestone Products to verify product specifications.

Standards:

- I.A.P.M.O. International Association of Plumbing and Mechanical Officials File No. 0687.
- ANSI American National Standards Institute - Specifications Z-124.2.
- HUD/FHA National Specifications UN-73.



**Florestone Saflor®
 Model 3636-2 Corner
 Shower Receptors**

**Architect's
 Specifications**

Furnish and install 3636-2 Saflor® Shower Receptor manufactured by Florestone Products Co. The receptor shall have a slip-resistant design that does not interfere with the flow of water nor trap it. Receptor to have integral molded drain and square finished design to allow either right-hand or left-hand installation. Receptor to have not less than 1" flange on two sides and to be stain and fungus resistant. Color to be off-white (unless other specified) and will be resistant to fading and abrasion.

Model shall conform to ANSI-Z-124.2.

SAFLOR® Options and Accessories

- Biscuit, Bone
- Josam Jiffy-Joint™
- Wedge-Lok® Seal
- Strainer, Brass
- Strainer, Chrome
- Strainer, Plastic
- Repair Kit



FLORESTONE PRODUCTS CO., INC.

2851 Falcon Drive • Madera, CA 93637
 T. 559.661.4171 • T. 800.446.8827
 F. 559.661.2070 • florestone.com

Florestone Saflor® Corner Shower Receptors

Architect's Specifications

Furnish and install Saflor® Shower Receptor manufactured by Florestone Products Co. (Model Number - see table)
The receptor shall be furnished with a slip-resistant design that does not interfere with the flow of water nor trap it. Receptor to have integral molded drain and sill with aluminum cap on the side adjacent to the threshold. Receptor to have not less than 1" flange on remaining sides. Receptor to be stain and fungus resistant. Color to be off-white and will be resistant to fading and abrasion. Model shall conform to ANSI-Z-124.2.

SAFLOR® Options and Accessories

Josam Jiffy-Joint™

Wedge-Lok® Seal

Strainer, Brass

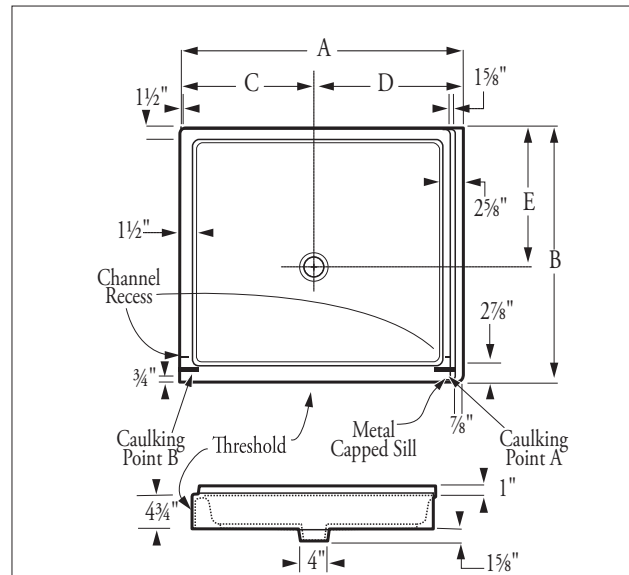
Strainer, Chrome

Strainer, Plastic

Repair Kit

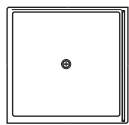


One piece, right or left-hand corner model with metal capped sill 3/4" wide and 1 1/4" high for glass side wall installation on left or right side of threshold.

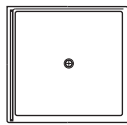


SPECIFY RIGHT OR LEFT-HAND SILL.

CORNER



Right Hand



Left Hand

| Model | A | B | C | D | E | WT. |
|--------|---------|-----|-----|---------|-----|-----|
| 3232-2 | 33 3/8" | 32" | 16" | 17 3/8" | 16" | 50 |
| 3434-2 | 35 3/8" | 34" | 17" | 18 3/8" | 17" | 54 |
| 4234-2 | 43 3/8" | 34" | 21" | 22 3/8" | 17" | 64 |
| 4832-2 | 49 3/8" | 32" | 24" | 25 3/8" | 16" | 70 |
| 4834-2 | 49 3/8" | 34" | 24" | 25 3/8" | 17" | 75 |
| 5434-2 | 55 3/8" | 34" | 27" | 28 3/8" | 17" | 84 |
| 6032-2 | 61 3/8" | 32" | 30" | 31 3/8" | 16" | 86 |
| 6034-2 | 61 3/8" | 34" | 30" | 31 3/8" | 17" | 96 |

**Dimensions subject to change without notice.
Contact Florestone Products to verify product specifications.**



FLORESTONE PRODUCTS CO., INC.

2851 Falcon Drive • Madera, CA 93637

T. 559.661.4171 • T. 800.446.8827

F. 559.661.2070 • florestone.com

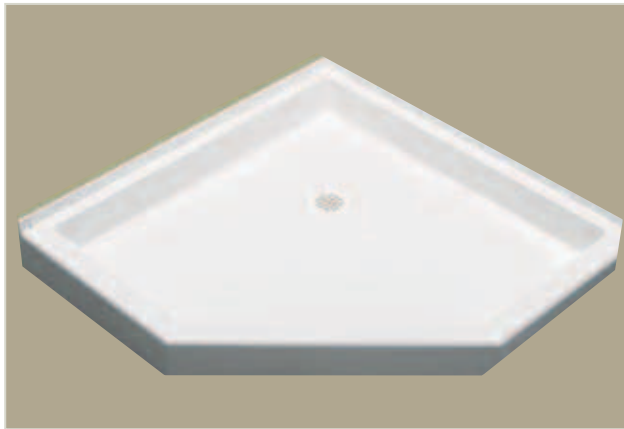
Standards:

I.A.P.M.O. International Association of Plumbing and Mechanical Officials
File No. 0687.

ANSI American National Standards Institute - Specifications Z-124.2.

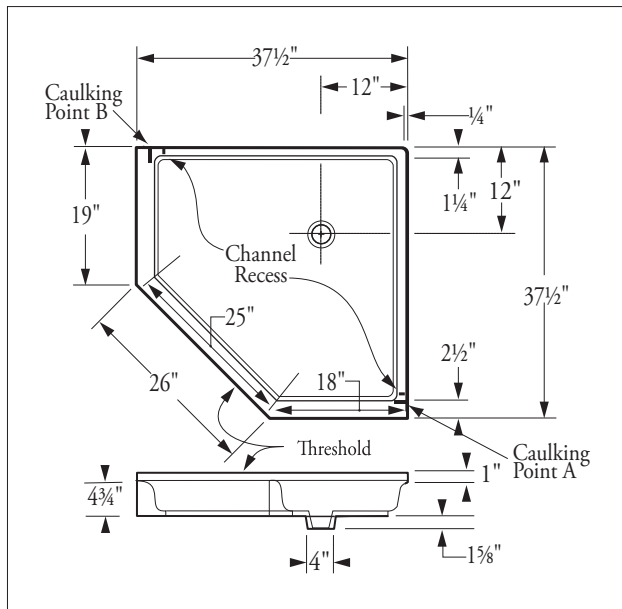
HUD/FHA National Specifications UN-73.





Neo Angle Model

One piece, molded receptor with center door opening for corner installation. 1" flange on two sides. Integral drain with Wedge-Lok® Seal.



| Model | Weight |
|------------|--------|
| 37 1/2 NEO | 60 |

Dimensions subject to change without notice.

Contact Florestone Products to verify product specifications.

Standards:

| | |
|------------|--|
| I.A.P.M.O. | International Association of Plumbing and Mechanical Officials File No. 0687. |
| ANSI | American National Standards Institute - Specifications Z-124.2. |
| HUD/FHA | National Specifications UN-73. |



Florestone Saflor® Molded NEO-Angle Corner Receptor Model 37 1/2 NEO

Architect's Specifications

Furnish and install Saflor® Model 37 1/2 Neo Shower Receptor manufactured by Florestone Products Co. The receptor shall be furnished with slip-resistant design that does not interfere with the flow of water nor trap it. Receptor to have integral molded drain. Receptor to have not less than 1" flange on two sides. Receptor to be stain, and fungus resistant. Color to be off-white (unless other specified) and will be resistant to fading and abrasion. Model shall conform to ANSI-Z-124.2.

SAFLOR® Options and Accessories

- Biscuit, Bone
- Josam Jiffy-Joint™
- Wedge-Lok® Seal
- Strainer, Brass
- Strainer, Chrome
- Strainer, Plastic
- Repair Kit



FLORESTONE PRODUCTS CO., INC.

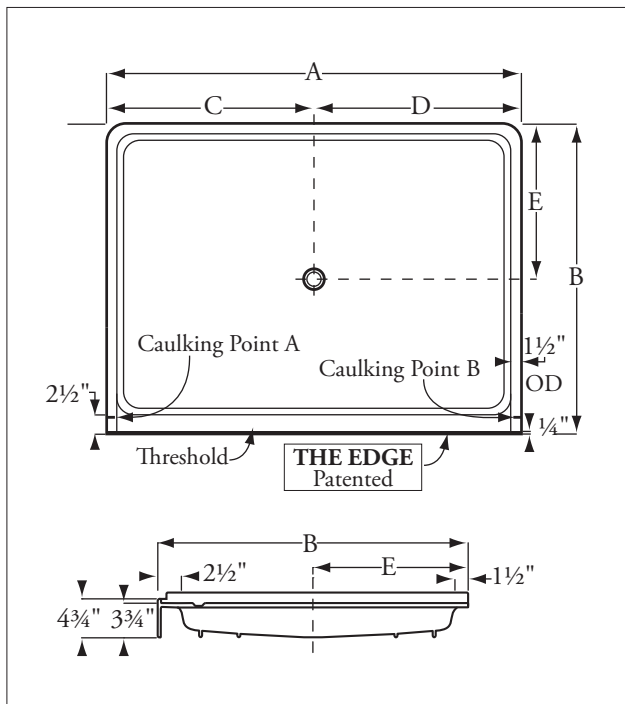
2851 Falcon Drive • Madera, CA 93637

T. 559.661.4171 • T. 800.446.8827

F. 559.661.2070 • florestone.com



One piece, single threshold model for recessed installation. Features 1" flange on three remaining sides. Center drain.



| Model | A | B | C | D | E | WT. |
|-------|----------------------------------|----------------------------------|-----|-----|----------------------------------|-----|
| 3636F | 36" | 35 ³ / ₄ " | 18" | 18" | 18" | 38 |
| 3642F | 42" | 36" | 21" | 21" | 18" | 45 |
| 4242F | 42" | 42" | 21" | 21" | 21" | 50 |
| 3448F | 48" | 34" | 24" | 24" | 17" | 44 |
| 3648F | 47 ³ / ₄ " | 35 ¹ / ₂ " | 24" | 24" | 18" | 36 |
| 4248F | 47 ³ / ₄ " | 41 ³ / ₄ " | 24" | 24" | 21" | 47 |
| 4848F | 47 ³ / ₄ " | 48" | 24" | 24" | 24" | 50 |
| 3460F | 60" | 34" | 30" | 30" | 17" | 50 |
| 3660F | 60" | 35 ¹ / ₂ " | 30" | 30" | 17 ³ / ₄ " | 50 |
| 4260F | 59 ³ / ₄ " | 41 ¹ / ₂ " | 30" | 30" | 20 ³ / ₄ " | 60 |

Standards:

- I.A.P.M.O. International Association of Plumbing and Mechanical Officials
File No. 0687.
- ANSI American National Standards Institute - Specifications Z-124.2.
- HUD/FHA National Specifications UN-73.



Floestone Molded Fiberglass Shower Receptors with THE EDGE

Architect's Specifications

Furnish and install molded fiberglass one piece shower unit manufactured by Floestone Products Company. Unit to be manufactured of gel-coated fiberglass meeting Class C Flame Retardance and to be supplied with slip-resistant floor laminated for extra rigidity. Color will be white (unless otherwise specified). Unit to be supplied with a 2" PNC non-caulk drain.

Standard Color: White

Optional Colors

Color matching most major manufacturers' colors are available.

Colors

Standard: White, Bone

Special: Granite (see pg. 12)

**Dimensions may vary ± 1/4" inch.
Please check unit before installation.**

**Place receptor on a bed of mortar or
plaster for warranty compliance.**

**Dimensions subject to
change without notice.
Contact Floestone Products to
verify product specifications.**



FLORESTONE PRODUCTS CO., INC.

2851 Falcon Drive • Madera, CA 93637

T. 559.661.4171 • T. 800.446.8827

F. 559.661.2070 • floestone.com

**Florestone Saflor®
Model 3232F Corner
Molded Fiberglass
Shower Receptors**

**Architect's
Specifications**

Furnish and install 3232F Corner Shower Receptor manufactured by Florestone Products Co. The receptor shall be furnished with slip-resistant design that does not interfere with the flow of water nor trap it. Receptor to have not less than 1" flange on two sides. Receptor to be stain and fungus resistant. Color to be white (unless other specified) and will be resistant to fading and abrasion. Model shall conform to ANSI-Z-124.2.

SAFLOR® Options and Accessories

Standard: White, Bone, Biscuit
Special: Granite (see pg. 12)

- Strainer, Brass
- Strainer, Chrome
- Strainer, Plastic
- Repair Kit

**Dimensions may vary ± 1/4" inch.
Please check unit before installation.**

**Place receptor on a minimum 1/4" bed
of mortar or plaster for warranty
compliance.**

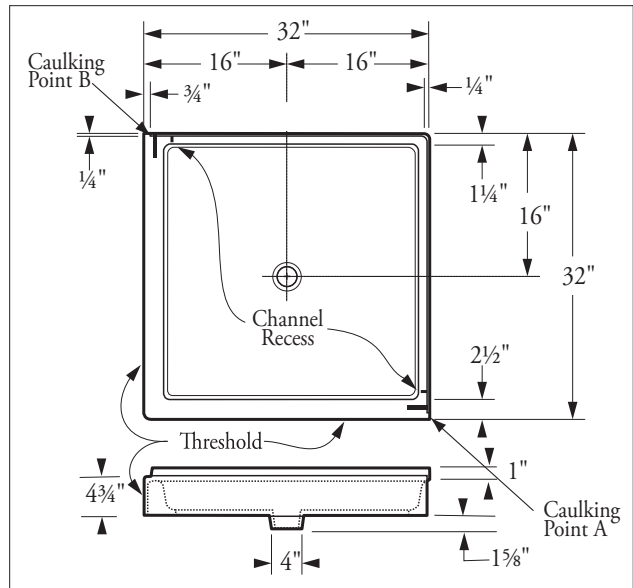


FLORESTONE PRODUCTS CO., INC.

2851 Falcon Drive • Madera, CA 93637
T. 559.661.4171 • T. 800.446.8827
F. 559.661.2070 • florestone.com



One piece, double threshold model for corner installation. Square 32" x 32" dimension allows either right-hand or left-hand corner installation.



| Model | Weight |
|-------|--------|
| 3232F | 59 |

**Dimensions subject to change without notice.
Contact Florestone Products to verify product specifications.**

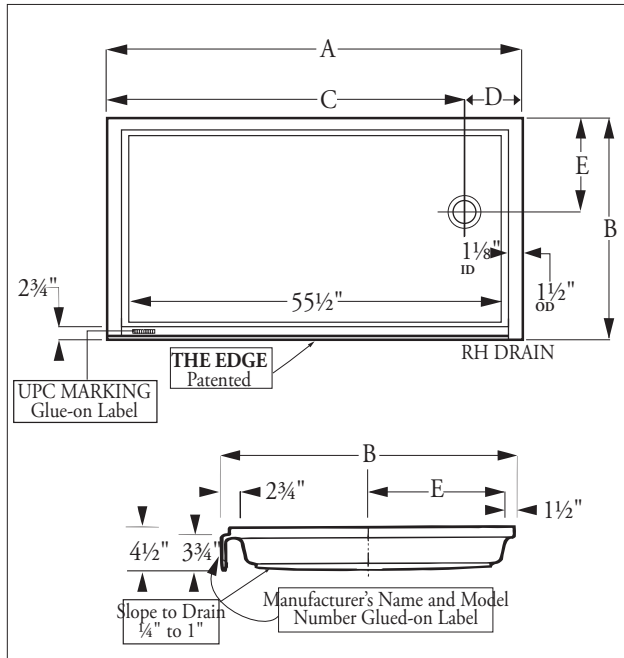
Standards:
I.A.P.M.O. International Association of Plumbing and Mechanical Officials
File No. 0687.
ANSI American National Standards Institute - Specifications Z-124.2.
HUD/FHA National Specifications UN-73.





One piece, single threshold model for recessed installation. Features 1" flange on three remaining sides. End drain.

Specify RH or LH Drain



One piece, single threshold model for recessed installation. Features 1" flange on three remaining sides. End drain.

MOLDED FIBERGLASS END-DRAIN SHOWER RECEPTORS

| Model | A | B | C | D | E | WT. |
|-------|-----|-----|-----|----|-----|-----|
| 3060F | 60" | 30" | 52" | 8" | 15" | 45 |
| 3260F | 60" | 32" | 52" | 8" | 15" | 45 |

Dimensions subject to change without notice.

Contact Florestone Products to verify product specifications.

Standards:

I.A.P.M.O. International Association of Plumbing and Mechanical Officials
File No. 0687.
ANSI American National Standards Institute - Specifications Z-124.2.
HUD/FHA National Specifications UN-73.



Florestone Model 3060F & Model 3260F Molded Fiberglass Shower Receptor with THE EDGE

60" x 30"

Weight: 45 lbs.

Architect's Specifications

Furnish and install one piece shower unit Model 3060F and 3260F as manufactured by Florestone Products Company. Unit to be manufactured of gel-coated fiberglass meeting Class C Flame Retardance and to be supplied with slip-resistant floor laminated for extra rigidity. Color will be white (unless otherwise specified). Unit to be supplied with a 2" PNC non-caulk drain.

Standard Color: White

Optional Colors

Color matching most major manufacturers' colors are available.

Colors

Standard: White, Bone, Biscuit

Special: Granite (see pg. 12)

Dimensions may vary \pm 1/4" inch.

Please check unit before installation.

Place receptor on a minimum 1/4" bed of mortar or plaster for warranty compliance.



FLORESTONE PRODUCTS CO., INC.

2851 Falcon Drive • Madera, CA 93637

T. 559.661.4171 • T. 800.446.8827

F. 559.661.2070 • florestone.com

**Florestone
Model 3060F-BF
Barrier-Free
Molded Fiberglass
Shower Receptor**

60" x 30"
Weight: 40 lbs.

**Architect's
Specifications**

Furnish and install one piece, barrier-free shower unit Model 3060F-BF as manufactured by Florestone Products Company. Unit to be manufactured of gel-coated fiberglass meeting Class C Flame Retardance and to be supplied with slip-resistant floor laminated for extra rigidity. Color will be white (unless otherwise specified). Unit to be supplied with a 2" PNC non-caulk drain.

Standard Color: White

Optional Colors

Color matching most major manufacturers' colors are available.

Colors

Standard: White, Bone, Biscuit

Special: Granite (see pg. 12)

**Dimensions may vary \pm 1/4" inch.
Please check unit before installation.**

**Place receptor on a
minimum 1/4" bed of mortar
or plaster for warranty compliance.**



FLORESTONE PRODUCTS CO., INC.

2851 Falcon Drive • Madera, CA 93637

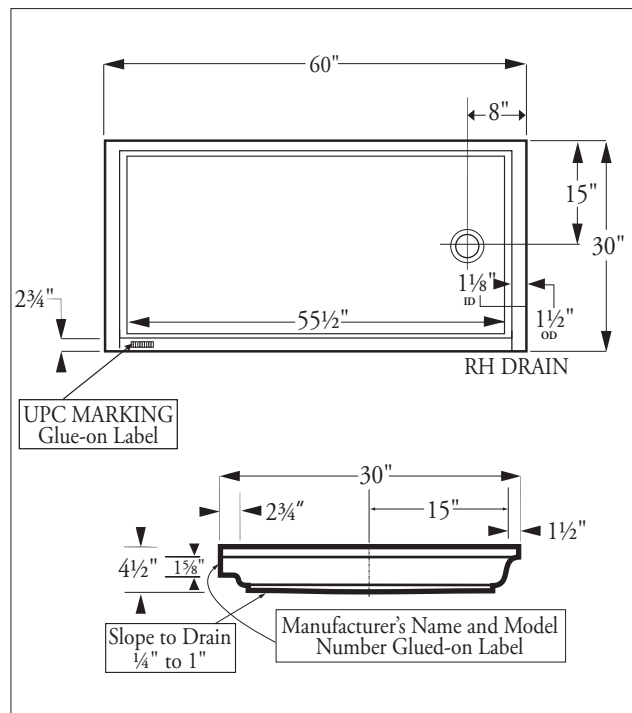
T. 559.661.4171 • T. 800.446.8827

F. 559.661.2070 • florestone.com



One piece, single threshold model for recessed installation. Features 1" flange on three remaining sides. End drain.

Specify RH or LH Drain



**Dimensions subject to change without notice.
Contact Florestone Products to
verify product specifications.**

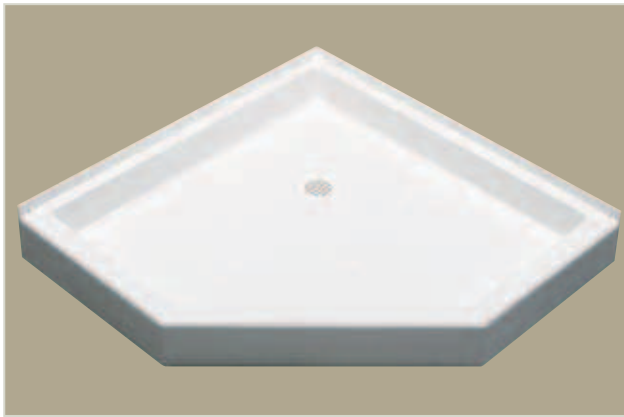
Standards:

I.A.P.M.O. International Association of Plumbing and Mechanical Officials
File No. 0687.

ANSI American National Standards Institute - Specifications Z-124.2.

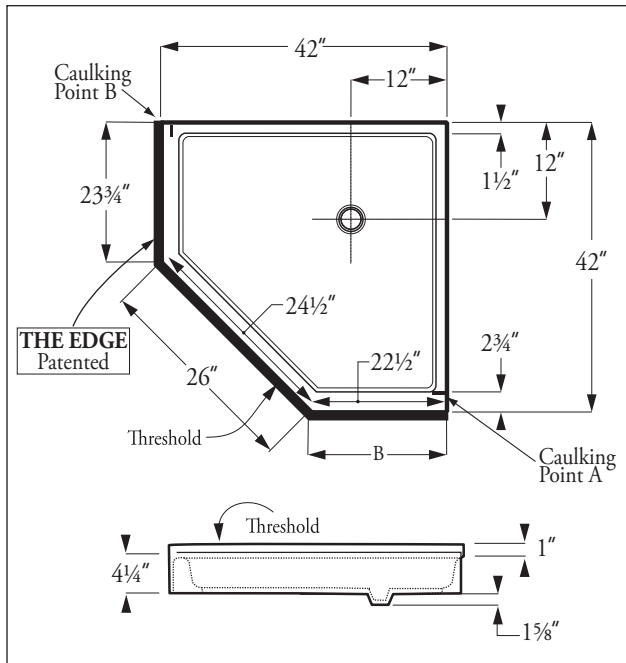
HUD/FHA National Specifications UN-73.





Neo Angle Model

One piece, molded receptor with center drain opening for corner installation. 1" flange on two sides.



| Model | Weight |
|---------|--------|
| 42F NEO | 48 |

**Dimensions subject to change without notice.
Contact Florestone Products to verify product specifications.**

Standards:

- I.A.P.M.O. International Association of Plumbing and Mechanical Officials File No. 0687.
- ANSI American National Standards Institute - Specifications Z-124.2.
- HUD/FHA National Specifications UN-73.



**Florestone
Model 42F Neo
Molded Fiberglass
Neo Shower Receptor**

**Architect's
Specifications**

Furnish and install Model 42F Neo Shower Receptor manufactured by Florestone Products Co. The receptor shall be furnished with slip-resistant design that does not interfere with the flow of water nor trap it. Receptor to have not less than 1" flange on two sides. Receptor to be stain, and fungus resistant. Color to be white (unless other specified) and will be resistant to fading and abrasion. Model shall conform to ANSI-Z-124.2.

SAFLOR® Options and Accessories

- Standard: White, Bone, Biscuit
- Special: Granite (see pg. 12)
- Strainer, Brass
- Strainer, Chrome
- Strainer, Plastic
- Repair Kit

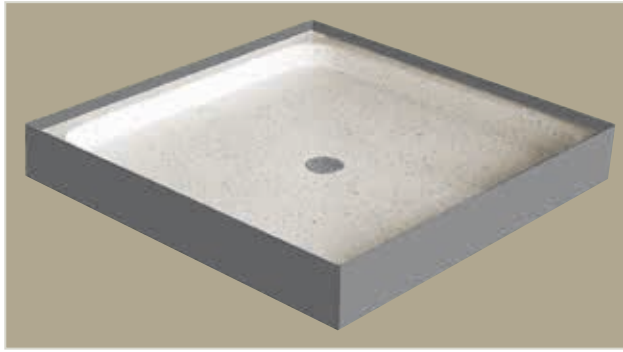
**Dimensions may vary ± 1/4" inch.
Please check unit before installation.**

**Place receptor on a
minimum 1/4" bed of mortar
or plaster for warranty compliance.**



FLORESTONE PRODUCTS CO., INC.

2851 Falcon Drive • Madera, CA 93637
T. 559.661.4171 • T. 800.446.8827
F. 559.661.2070 • florestone.com



| A | B | C | D | E | WT. |
|-----|-----|-----|-----|-----|-----|
| 30" | 30" | 15" | 15" | 15" | 160 |
| 30" | 36" | 18" | 18" | 15" | 250 |
| 30" | 60" | 30" | 30" | 15" | 400 |
| 32" | 32" | 16" | 16" | 16" | 241 |
| 32" | 36" | 18" | 18" | 16" | 295 |
| 32" | 42" | 21" | 21" | 16" | 325 |
| 32" | 46" | 23" | 23" | 16" | 340 |
| 32" | 48" | 24" | 24" | 16" | 360 |
| 32" | 54" | 27" | 27" | 16" | 425 |
| 32" | 60" | 30" | 30" | 16" | 435 |
| 34" | 34" | 17" | 17" | 17" | 253 |
| 34" | 42" | 21" | 21" | 17" | 335 |
| 34" | 48" | 24" | 24" | 17" | 346 |
| 36" | 30" | 15" | 15" | 18" | 250 |
| 36" | 32" | 16" | 16" | 18" | 295 |
| 36" | 34" | 17" | 17" | 18" | 300 |
| 36" | 36" | 18" | 18" | 18" | 315 |
| 36" | 42" | 21" | 21" | 18" | 365 |
| 36" | 48" | 24" | 24" | 18" | 445 |
| 36" | 54" | 27" | 27" | 18" | 465 |
| 36" | 60" | 30" | 30" | 18" | 500 |
| 40" | 40" | 20" | 20" | 20" | 390 |
| 40" | 48" | 24" | 24" | 20" | 510 |
| 42" | 32" | 16" | 16" | 21" | 325 |
| 42" | 34" | 17" | 17" | 21" | 335 |
| 42" | 36" | 18" | 18" | 21" | 365 |
| 42" | 42" | 21" | 21" | 21" | 381 |
| 48" | 32" | 16" | 16" | 24" | 360 |
| 48" | 34" | 17" | 17" | 24" | 346 |
| 48" | 36" | 18" | 18" | 24" | 445 |
| 48" | 48" | 24" | 24" | 24" | 550 |
| 54" | 36" | 18" | 18" | 27" | 465 |
| 60" | 30" | 15" | 15" | 30" | 400 |
| 60" | 32" | 16" | 16" | 30" | 435 |
| 60" | 36" | 18" | 18" | 30" | 500 |

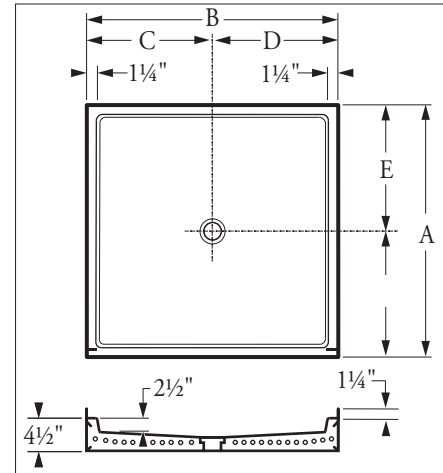
Model 100 is not I.A.P.M.O. listed.

**Dimensions subject to change without notice.
Contact Florestone Products to verify product specifications.**

Dimensions may vary $\pm \frac{1}{4}$ " inch. Please check unit before installation.
Place receptor on a minimum $\frac{1}{4}$ " bed of mortar or plaster for warranty compliance.

Florestone Terrazzo Model 100 Shower Receptors

Center drain terrazzo shower receptor with $1\frac{1}{4}$ " flanges on all four sides.



Architect's Specifications

Furnish and install Model 100 terrazzo receptor as manufactured by Florestone Products Company. Shoulder will be not less than $2\frac{1}{2}$ " inside. Flange, cast integral, will be galvanized-bonderized steel and extend not less than one inch (1") above shoulder on four sides for installation. Drain body will be brass, cast integral, and will provide for a non-caulked connection not less than one inch deep to a two inch pipe. Receptor will be manufactured of tan and white marble chips cast in white Portland cement to produce a compressive strength of not less than 3,000 PSI, seven days after casting. Terrazzo surface will be ground, polished, and the entire unit sealed to resist stains and moisture after any air holes and/or pits are grouted. Receptor will be reinforced with 16 gauge wire. Removable type stainless steel strainer plate will be supplied.

Options

Offset drain. (Drawings required)

Note: Terrazzo is not designed to be used with anything that is over 130 degrees Fahrenheit.

 **FLORESTONE**
A Spec Above.™

FLORESTONE PRODUCTS CO., INC.

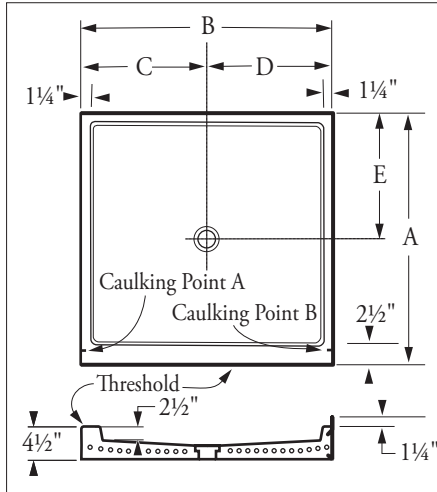
2851 Falcon Drive • Madera, CA 93637

T. 559.661.4171 • T. 800.446.8827

F. 559.661.2070 • florestone.com

Florestone Terrazzo Model 200 Recess Shower Receptors

Center drain terrazzo shower receptor with 1 1/4" flanges on three sides for recess installation.



Architect's Specifications

Furnish and install Model 200 receptor as manufactured by Florestone Products Company. Shoulder will be not less than 2 1/2" inside. Flange, cast integral, will be galvanized-bonderized steel and extend not less than one inch (1") above shoulder on three sides for installation. Drain body will be brass, cast integral, and will provide for a non-caulked connection not less than one inch deep to a two inch pipe. Receptor will be manufactured of tan and white marble chips cast in white Portland cement to produce a compressive strength of not less than 3,000 PSI, seven days after casting. Terrazzo surface will be ground, polished, and the entire unit sealed to resist stains and moisture after any air holes and/or pits are grouted. Receptor will be reinforced with 16 gauge wire. Removable type stainless steel strainer plate will be supplied.

Options

Offset drain.
Additional flanges. (Drawings required)

Note: Terrazzo is not designed to be used with anything that is over 130 degrees Fahrenheit.



FLORESTONE PRODUCTS CO., INC.

2851 Falcon Drive • Madera, CA 93637

T. 559.661.4171 • T. 800.446.8827

F. 559.661.2070 • florestone.com



| A | B | C | D | E | WT. |
|------|------|-----|-----|-----|-----|
| 30" | 30"T | 15" | 15" | 15" | 160 |
| 30" | 36"T | 18" | 18" | 15" | 250 |
| 30" | 60"T | 30" | 30" | 15" | 400 |
| 32" | 32"T | 16" | 16" | 16" | 241 |
| 32" | 36"T | 18" | 18" | 16" | 295 |
| 32" | 42"T | 21" | 21" | 16" | 325 |
| 32" | 46"T | 23" | 23" | 16" | 340 |
| 32" | 48"T | 24" | 24" | 16" | 360 |
| 32" | 54"T | 27" | 27" | 16" | 425 |
| 32" | 60"T | 30" | 30" | 16" | 435 |
| 34" | 34"T | 17" | 17" | 17" | 253 |
| 34" | 42"T | 21" | 21" | 17" | 335 |
| 34" | 48"T | 24" | 24" | 17" | 346 |
| 36" | 30"T | 15" | 15" | 18" | 250 |
| 36" | 32"T | 16" | 16" | 18" | 295 |
| 36" | 34"T | 17" | 17" | 18" | 300 |
| 36"* | 36"T | 18" | 18" | 18" | 315 |
| 36"* | 42"T | 21" | 21" | 18" | 365 |
| 36"* | 48"T | 24" | 24" | 18" | 445 |
| 36"* | 54"T | 27" | 27" | 18" | 465 |
| 36"* | 60"T | 30" | 30" | 18" | 500 |
| 40"* | 40"T | 20" | 20" | 20" | 390 |
| 40"* | 48"T | 24" | 24" | 20" | 510 |
| 42" | 32"T | 16" | 16" | 21" | 325 |
| 42" | 34"T | 17" | 17" | 21" | 335 |
| 42"* | 36"T | 18" | 18" | 21" | 365 |
| 42"* | 42"T | 21" | 21" | 21" | 381 |
| 48" | 32"T | 16" | 16" | 24" | 360 |
| 48" | 34"T | 17" | 17" | 24" | 346 |
| 48"* | 36"T | 18" | 18" | 24" | 445 |
| 48"* | 48"T | 24" | 24" | 24" | 550 |
| 54"* | 36"T | 18" | 18" | 27" | 465 |
| 60" | 30"T | 15" | 15" | 30" | 400 |
| 60" | 32"T | 16" | 16" | 30" | 435 |
| 60"* | 36"T | 18" | 18" | 30" | 500 |

*Meets I.A.P.M.O. minimum size requirements.



Standards: International Association of Plumbing and Mechanical Officials File No. 0687.

**Dimensions subject to change without notice.
Contact Florestone Products to verify product specifications.**

Dimensions may vary ± 1/4" inch. Please check unit before installation.
Place receptor on a minimum 1/4" bed of mortar or plaster for warranty compliance.



| A | B | C | D | E | WT. |
|------|------|-----|-----|-----|-----|
| 30" | 30"T | 15" | 15" | 15" | 160 |
| 30" | 36"T | 18" | 18" | 15" | 250 |
| 30" | 60"T | 30" | 30" | 15" | 400 |
| 32" | 32"T | 16" | 16" | 16" | 241 |
| 32" | 36"T | 18" | 18" | 16" | 295 |
| 32" | 42"T | 21" | 21" | 16" | 325 |
| 32" | 46"T | 23" | 23" | 16" | 340 |
| 32" | 48"T | 24" | 24" | 16" | 360 |
| 32" | 54"T | 27" | 27" | 16" | 425 |
| 32" | 60"T | 30" | 30" | 16" | 435 |
| 34" | 34"T | 17" | 17" | 17" | 253 |
| 34" | 42"T | 21" | 21" | 17" | 335 |
| 34" | 48"T | 24" | 24" | 17" | 346 |
| 36" | 30"T | 15" | 15" | 18" | 250 |
| 36" | 32"T | 16" | 16" | 18" | 295 |
| 36" | 34"T | 17" | 17" | 18" | 300 |
| 36"* | 36"T | 18" | 18" | 18" | 315 |
| 36"* | 42"T | 21" | 21" | 18" | 365 |
| 36"* | 48"T | 24" | 24" | 18" | 445 |
| 36"* | 54"T | 27" | 27" | 18" | 465 |
| 36"* | 60"T | 30" | 30" | 18" | 500 |
| 40"* | 40"T | 20" | 20" | 20" | 390 |
| 40"* | 48"T | 24" | 24" | 20" | 510 |
| 42" | 32"T | 16" | 16" | 21" | 325 |
| 42" | 34"T | 17" | 17" | 21" | 335 |
| 42"* | 36"T | 18" | 18" | 21" | 365 |
| 42"* | 42"T | 21" | 21" | 21" | 381 |
| 48" | 32"T | 16" | 16" | 24" | 360 |
| 48" | 34"T | 17" | 17" | 24" | 346 |
| 48"* | 36"T | 18" | 18" | 24" | 445 |
| 48"* | 48"T | 24" | 24" | 24" | 550 |
| 54"* | 36"T | 18" | 18" | 27" | 465 |
| 60" | 30"T | 15" | 15" | 30" | 400 |
| 60" | 32"T | 16" | 16" | 30" | 435 |
| 60"* | 36"T | 18" | 18" | 30" | 500 |

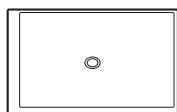
*Meets I.A.P.M.O. minimum size requirements.



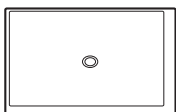
Standards: International Association of Plumbing and Mechanical Officials File No. 0687.

**Dimensions subject to change without notice.
Contact Florestone Products to verify product specifications.**

**MODEL 300 CORNER
2 TILING
FLANGES**



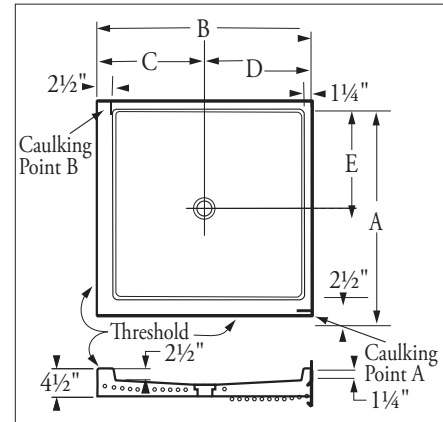
Left Hand



Right Hand

**Florestone Terrazzo
Model 300 Corner
Shower Receptors**

Center drain terrazzo shower receptor with 1 1/4" flange on two sides and double threshold for corner installation.



**Architect's
Specifications**

Furnish and install Model 300 terrazzo receptor as manufactured by Florestone Products Company. Shoulder will be not less than 2 1/2" inside. Flange, cast integral, will be galvanized-bonderized steel and extend not less than one inch (1") above shoulder on two sides for installation. Drain body will be brass, cast integral, and will provide for a non-caulked connection not less than one inch deep to a two inch pipe. Receptor will be manufactured of tan and white marble chips cast in white Portland cement to produce a compressive strength of not less than 3,000 PSI, seven days after casting. Terrazzo surface will be ground, polished, and the entire unit sealed to resist stains and moisture after any air holes and/or pits are grouted. Receptor will be reinforced with 16 gauge wire. Removable type stainless steel strainer plate will be supplied.

Options

Offset drain.
Additional flanges. (Drawings required)

Note: Terrazzo is not designed to be used with anything that is over 130

**Place receptor on a
minimum 1/4" bed of mortar
or plaster for warranty compliance.**



FLORESTONE PRODUCTS CO., INC.

2851 Falcon Drive • Madera, CA 93637

T. 559.661.4171 • T. 800.446.8827

F. 559.661.2070 • florestone.com

Florestone Terrazzo Model 350 NEO-Angle Shower Receptors

Neo angle terrazzo shower receptor for corner installation, with 12" center drain and flanges on two sides for corner installation. Center door opening.

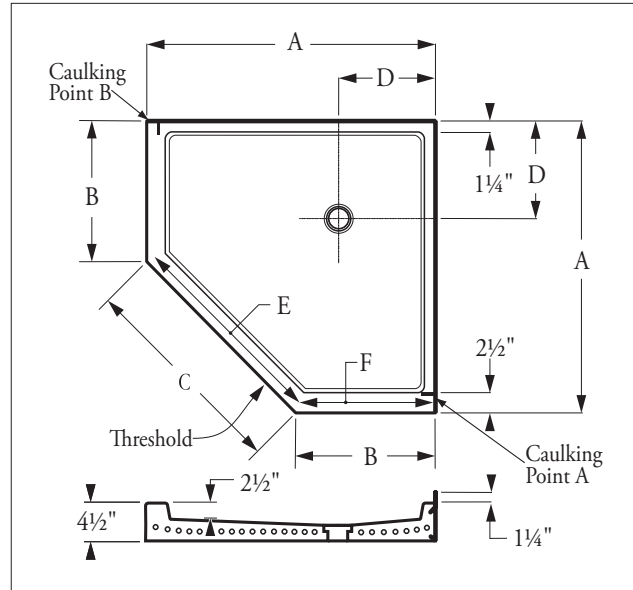
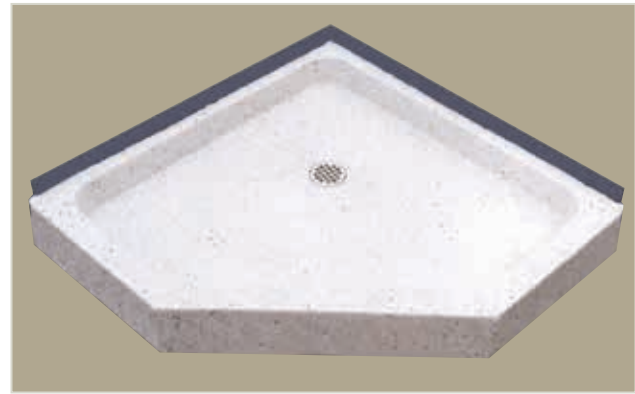
Architect's Specifications

Furnish and install Model 350 terrazzo receptor as manufactured by Florestone Products Company. Shoulder will be not less than 2½" inside. Nailing flange, cast integral, will be galvanized-bonderized steel and extend not less than one inch (1") above shoulder on two sides for installation. Drain body will be brass, cast integral, and will provide for a non-caulked connection not less than one inch deep to a two inch pipe. Receptor will be manufactured of tan and white marble chips cast in white Portland cement to produce a compressive strength of not less than 3,000 PSI, seven days after casting. Terrazzo surface will be ground, polished, and the entire unit sealed to resist stains and moisture after any air holes and/or pits are grouted. Receptor will be reinforced with 16 gauge wire. Removable type stainless steel strainer plate will be supplied.

Options

Offset drain.
Additional flanges.
(Drawings required)

Note: Terrazzo is not designed to be used with anything that is over 130 degrees Fahrenheit.



| A | B | C | D | E | F | WT. |
|------|------|------|-----|------|------|-----|
| 34" | 17½" | 22¾" | 12" | 22" | 16" | 250 |
| 36" | 17¼" | 26⅞" | 12" | 25½" | 16½" | 277 |
| 38"* | 19" | 26½" | 12" | 25½" | 18½" | 300 |
| 40"* | 18¾" | 29½" | 12" | 28" | 18" | 325 |
| 42" | 22¼" | 27⅞" | 12" | 25" | 20" | ? |

*Meets I.A.P.M.O. minimum size requirements.



Standards: International Association of Plumbing and Mechanical Officials File No. 0687.

Dimensions may vary ± ¼" inch.

Please check unit before installation.

Place receptor on a minimum ¼" bed of mortar or plaster for warranty compliance.



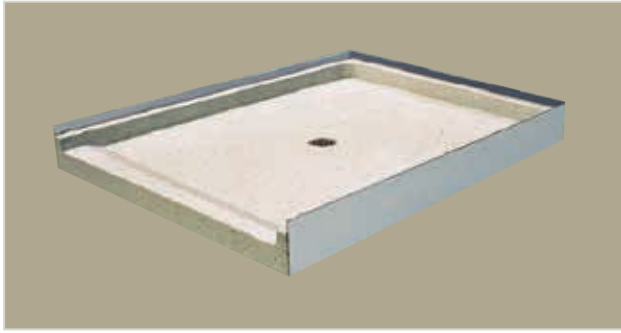
FLORESTONE PRODUCTS CO., INC.

2851 Falcon Drive • Madera, CA 93637

T. 559.661.4171 • T. 800.446.8827

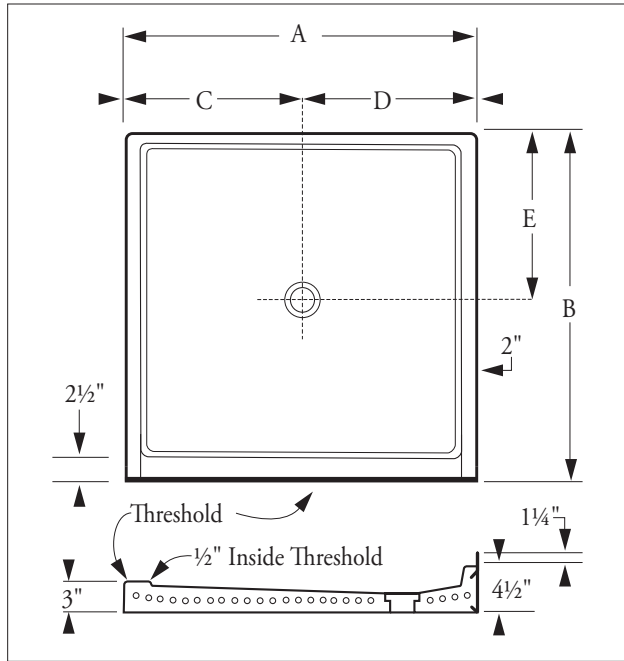
F. 559.661.2070 • florestone.com

Dimensions subject to change without notice.
Contact Florestone Products to verify product specifications.



Model 400

Barrier free, center drain Terrazzo Shower Receptors with reduced threshold height.



| A* | B | C | D | E | WT |
|-------|-----|---------|---------|---------|-----|
| 36" | 36" | 18" | 18" | 18" | 315 |
| ✓ 40" | 38" | 20" | 20" | 19" | 370 |
| 42" | 42" | 21" | 21" | 21" | 381 |
| 42" | 36" | 21" | 21" | 18" | 365 |
| 48" | 36" | 24" | 24" | 18" | 445 |
| 48" | 48" | 24" | 24" | 24" | 550 |
| 60" | 32" | 30" | 30" | 16" | 435 |
| 60" | 36" | 30" | 30" | 18" | 500 |
| ✓ 63" | 33" | 31 1/2" | 31 1/2" | 16 1/2" | 500 |

*Width of threshold (other sizes available upon request)

✓ Conforms to ADA Requirements

**Dimensions subject to change without notice.
Contact Florestone Products to verify product specifications.**

Florestone Model 400 Barrier-Free Terrazzo- Shower Receptors



Some Models Conform to
ADA REQUIREMENTS*

Architect's Specifications

Furnish and install wheelchair accessible Terrazzo Shower Receptor Model 400 as manufactured by Florestone Products Company. Flanges on three sides, cast integral, shall be of galvanized-bonderized steel and shall extend not less than 1" above the shoulders. Shoulders on three sides shall be not less than 2 1/2" inside. Threshold shall be not more than 1/2" above receptor floor to allow for barrier free entrance. Drain body shall be brass, cast integral, and shall provide for a non-caulked connection not less than one inch deep to a 2" pipe. Removable type stainless steel strainer plate shall be supplied. Receptor shall be manufactured of tan and white marble chips cast in white Portland cement to produce a compressive strength of not less than 3,000 PSI, seven days after casting. Terrazzo surface shall be ground, polished, and the entire unit sealed to resist stains and moisture. Receptors reinforced with 16-gauge wire.

Options

Offset drain.
Additional flanges.
(Drawings required)

Note: Terrazzo is not designed to be used with anything that is over 130 degrees Fahrenheit.

 **FLORESTONE**
A Spec Above.™

FLORESTONE PRODUCTS CO., INC.

2851 Falcon Drive • Madera, CA 93637

T. 559.661.4171 • T. 800.446.8827

F. 559.661.2070 • florestone.com

**Florestone
Model 500
Barrier-Free
Terrazzo-
Shower Receptors**

**Architect's
Specifications**

Furnish and install wheelchair accessible Terrazzo Shower Receptor Model 500 as manufactured by Florestone Products Company. Flanges on three sides, cast integral, shall be of galvanized-bonderized steel and shall extend not less than 1" above the shoulders. Shoulders on three sides shall be not less than 2½" inside. Threshold shall be not more than ½" above receptor floor to allow for barrier free entrance with an integral ramp. Drain body shall be brass, cast integral, and shall provide for a non-caulked connection not less than one inch deep to a 2" pipe. Removable type stainless steel strainer plate shall be supplied. Receptor shall be manufactured of tan and white marble chips cast in white Portland cement to produce a compressive strength of not less than 3,000 PSI, seven days after casting. Terrazzo surface shall be ground, polished, and the entire unit sealed to resist stains and moisture. Receptors reinforced with 16-gauge wire.

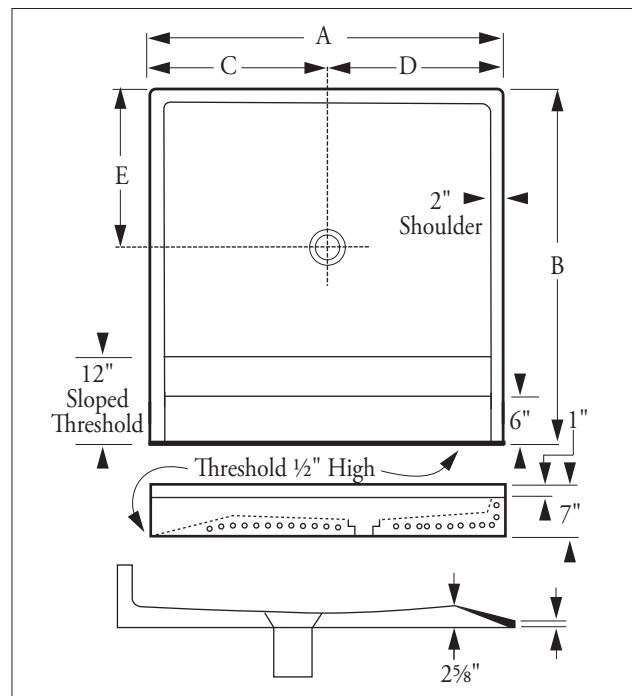
Options

Offset drain.
Additional flanges.
(Drawings required)

Note: Terrazzo is not designed to be used with anything that is over 130 degrees Fahrenheit.



Model 500
Barrier free Terrazzo Shower Receptors with built-in stainless steel ramp.



| A | B | C | D | E | HT | WT |
|-----|-----|-----|-----|-----|----|-----|
| 36" | 36" | 18" | 18" | 12" | 7" | 315 |
| 40" | 40" | 20" | 20" | 12" | 7" | 370 |
| 42" | 48" | 21" | 21" | 12" | 7" | 510 |
| 48" | 48" | 24" | 24" | 18" | 7" | 550 |

Note: Exterior floor drain for water run-off recommended.

Place receptor on a minimum ¼" bed of mortar or plaster for warranty compliance.



Standards:
I.A.P.M.O. International Association of Plumbing and Mechanical Officials File No. 0687.



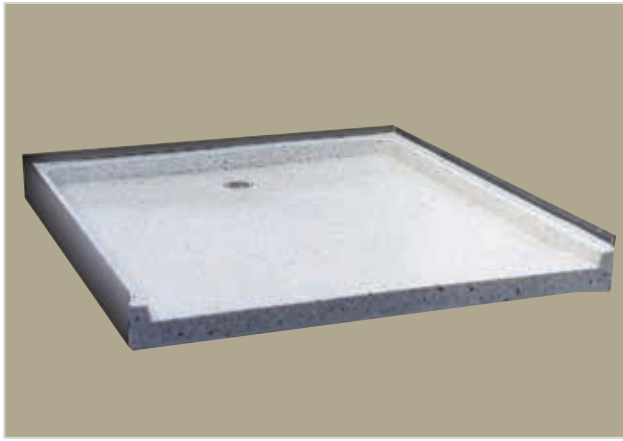
FLORESTONE PRODUCTS CO., INC.

2851 Falcon Drive • Madera, CA 93637

T. 559.661.4171 • T. 800.446.8827

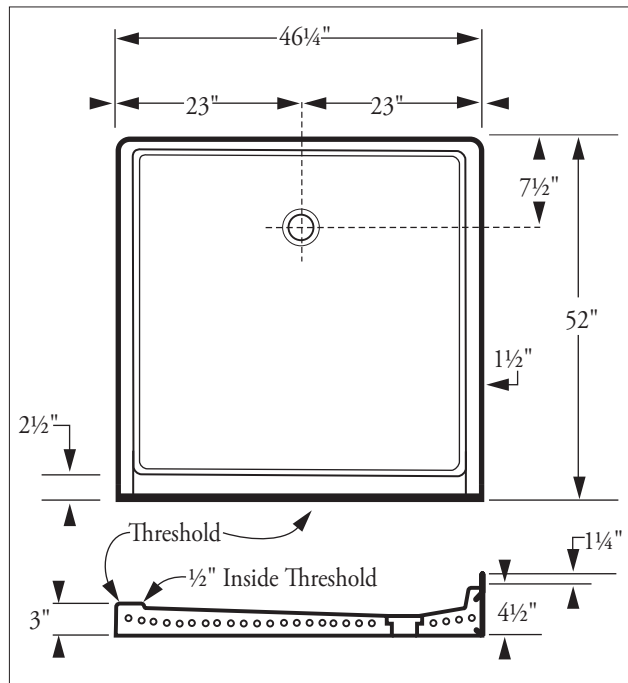
F. 559.661.2070 • florestone.com

**Dimensions subject to change without notice.
Contact Florestone Products to verify product specifications.**



Model 23-2HR

Barrier free, wheelchair accessible Terrazzo Shower Receptor. Reduced threshold height for wheelchair accessibility.



**Florestone
Model 23-2HR
Barrier-Free Terrazzo
Shower Receptor**

46" x 52" x 3"

Weight: 500 lbs.

**Architect's
Specifications**

Furnish and install wheelchair accessible terrazzo shower receptor Model 23-2HR as manufactured by Florestone Products Company. Flanges on three sides, cast integral, shall be of galvanized-bonderized steel and shall extend not less than 1" above the shoulders. Shoulders on three sides shall be not less than 2 1/2" inside. Threshold shall be not more than 1/2" above receptor floor to allow for barrier free entrance. Drain body shall be brass, cast integral, and shall provide for a non-caulked connection not less than one inch deep to a 2" pipe. Removable type stainless steel strainer plate shall be supplied. Receptor shall be manufactured of tan and white marble chips cast in white Portland cement to produce a compressive strength of not less than 3,000 PSI, seven days after casting. Terrazzo surface shall be ground, polished, and the entire unit sealed to resist stains and moisture after any air holes and/or pits are grouted. Receptors reinforced with 16-gauge wire.

Note: Terrazzo is not designed to be used with anything that is over 130 degrees Fahrenheit.

**Dimensions may vary ± 1/4" inch.
Please check unit before installation.**

Place receptor on a minimum 1/4" bed of mortar or plaster for warranty compliance.

**Dimensions subject to change without notice.
Contact Florestone Products to verify product specifications.**



Standards: I.A.P.M.O. File No. 0357



FLORESTONE PRODUCTS CO., INC.

2851 Falcon Drive • Madera, CA 93637

T. 559.661.4171 • T. 800.446.8827

F. 559.661.2070 • florestone.com