

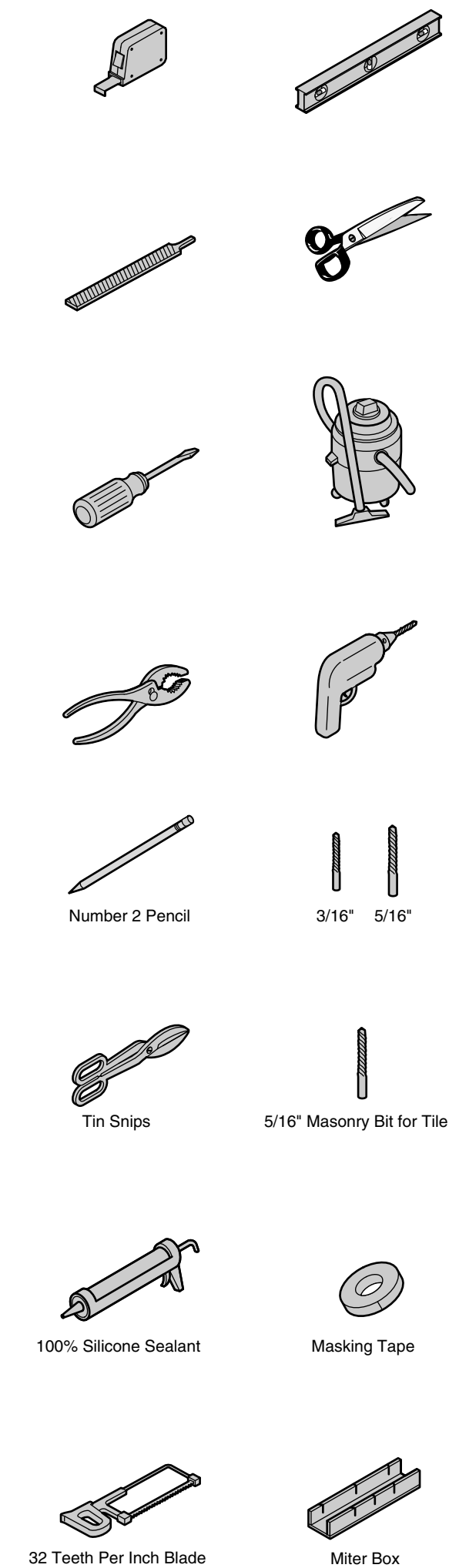
Sliding Bath Doors      Sliding Shower Doors

USA: 1-800-STERLING (1-800-783-7546)  
Mexico: 001-877-680-1310  
SterlingPlumbing.com

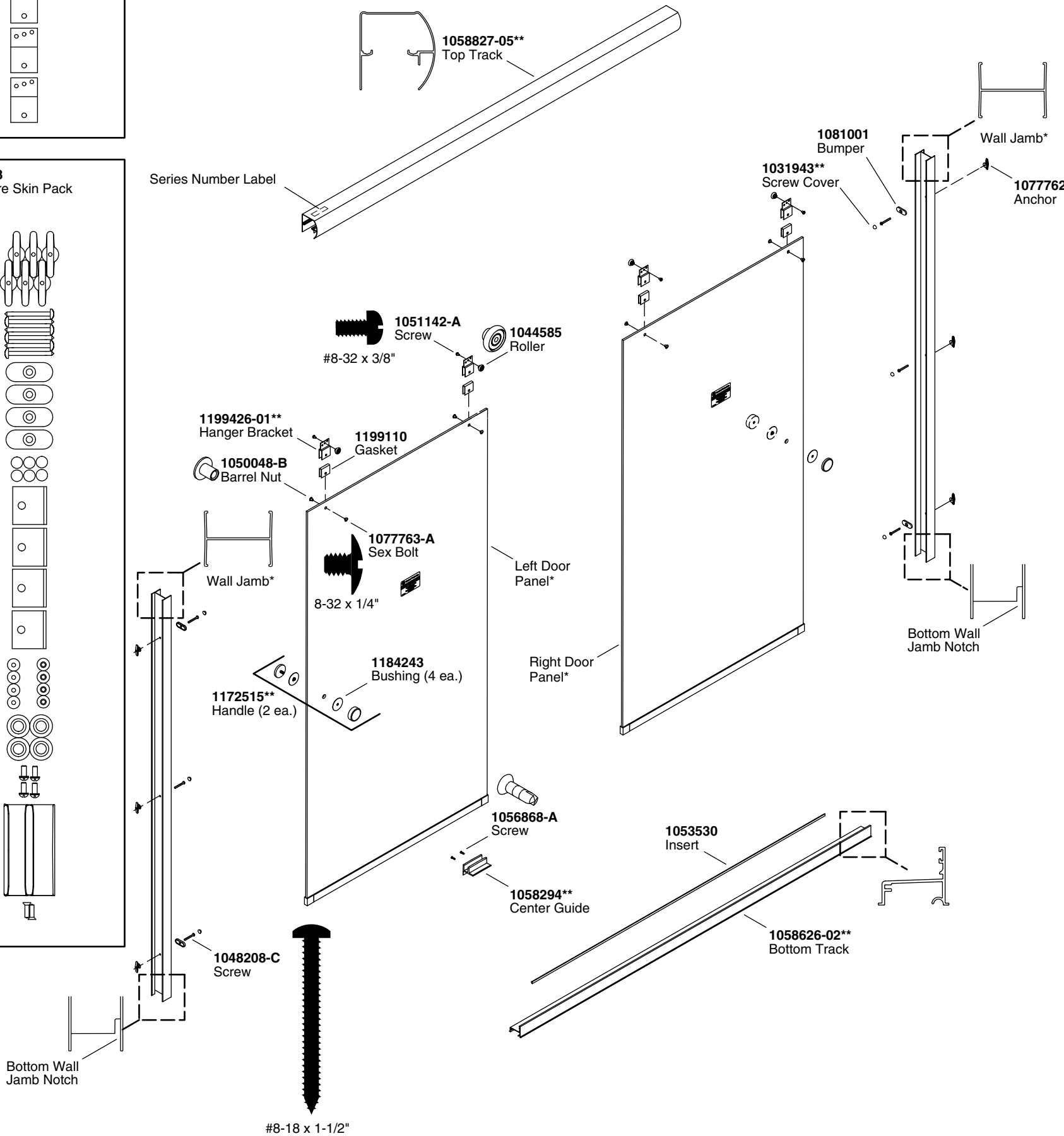
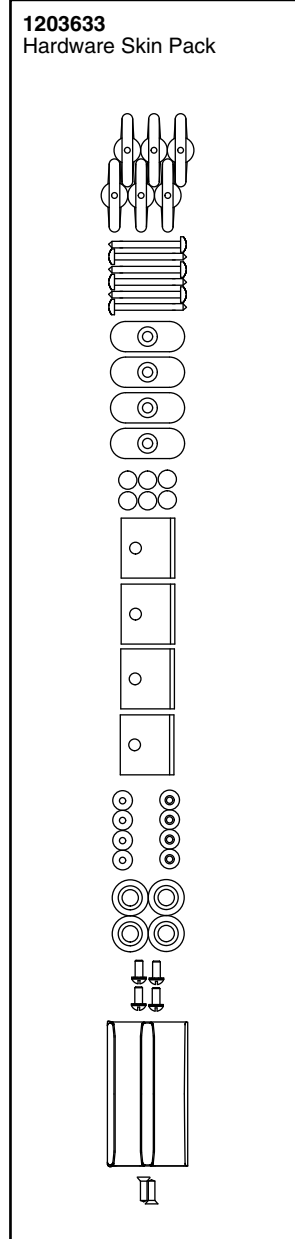
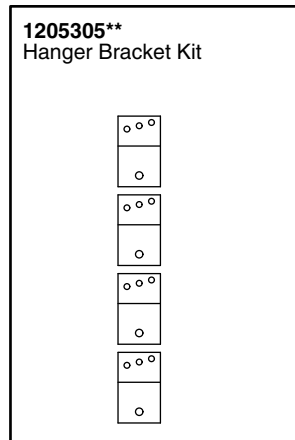
**CAUTION: Risk of injury.** Do not attempt to cut tempered glass.

**IMPORTANT!** Do not cut the top track the same length as the bottom track.  
Walls must be within 3/8" (10 mm) of plumb.  
Cover drain with tape to avoid loss of small parts.  
Follow the silicone sealant manufacturer's instructions for application and curing time.  
Installation video available at SterlingPlumbing.com.

### Required Tools



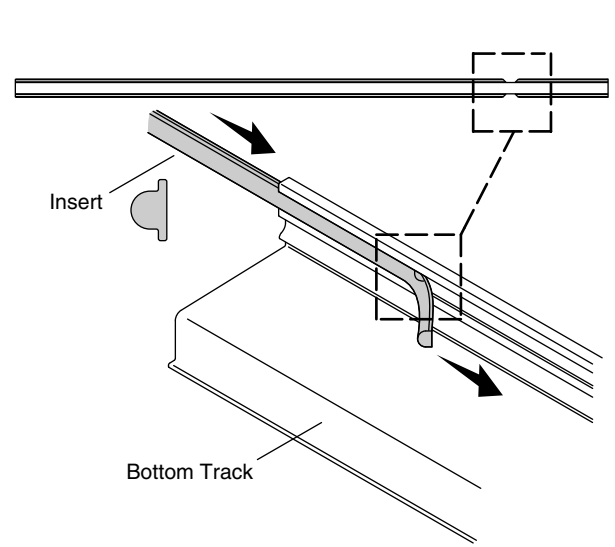
### Parts Identification



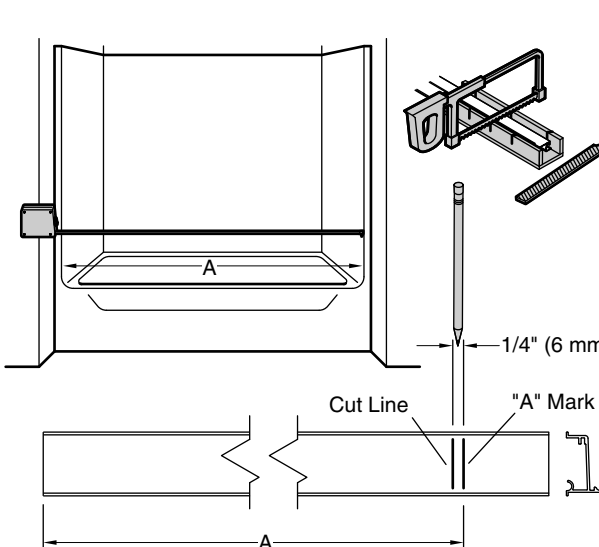
\*Call Customer Care Center to order replacement parts.  
\*\*Finish/color code must be specified when ordering.  
Retain this document for future servicing.  
Record model number from box for reference.

Model Number: \_\_\_\_\_

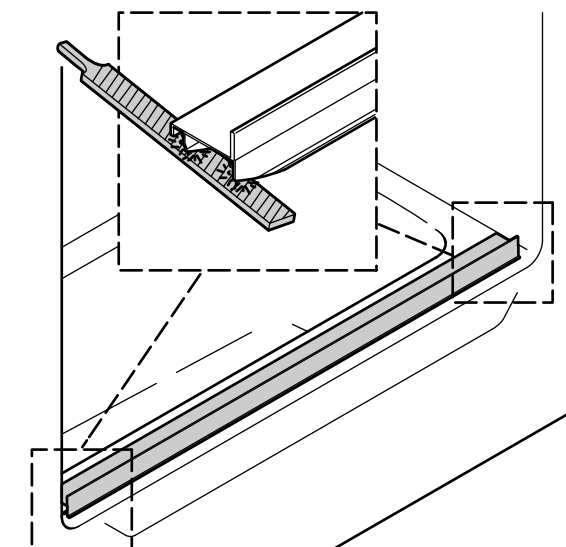
**1** Slide the notched end of the insert into the groove and pull the notch to the end of the bottom track. Trim the insert to be flush with the bottom track.



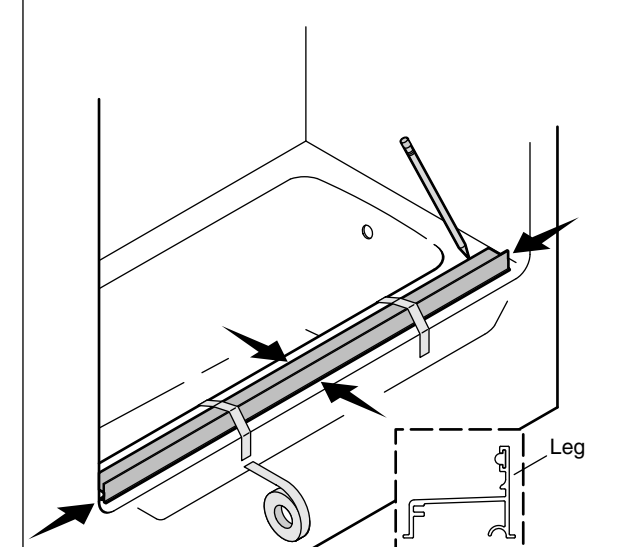
**2** Measure distance "A." Subtract 1/4" (6 mm) or the width of a number 2 pencil from "A" and cut the bottom track.



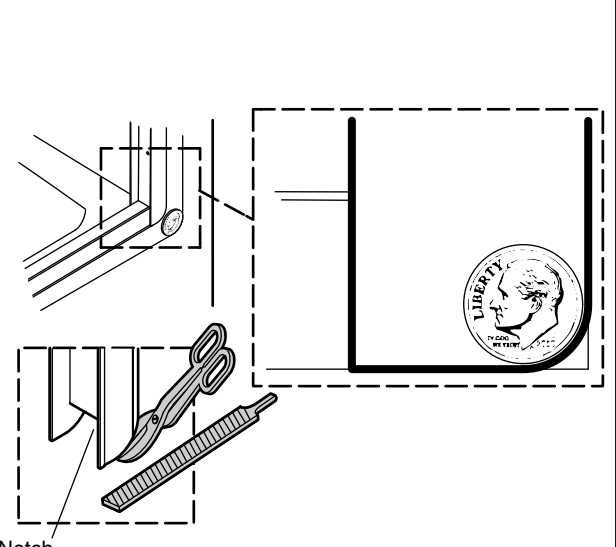
**3** Position the bottom track on the center of the ledge. If needed, file the ends to match the corners.



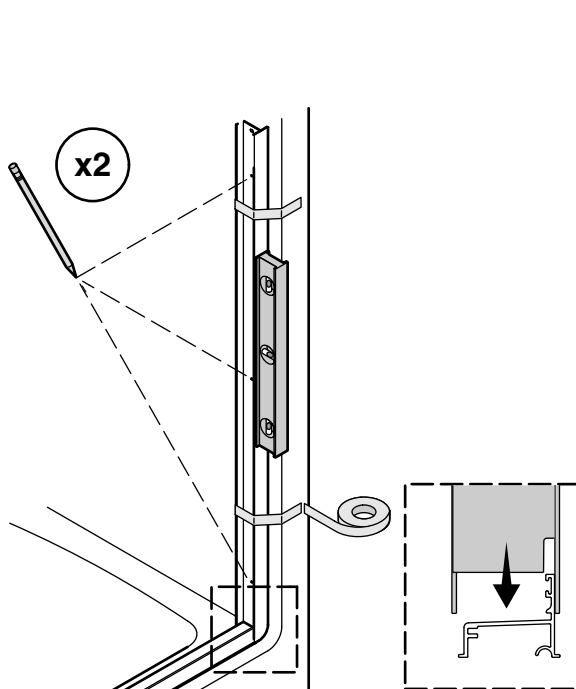
**4** Center the bottom track on the ledge with the leg to the outside. Tape the bottom track in place and mark the position.



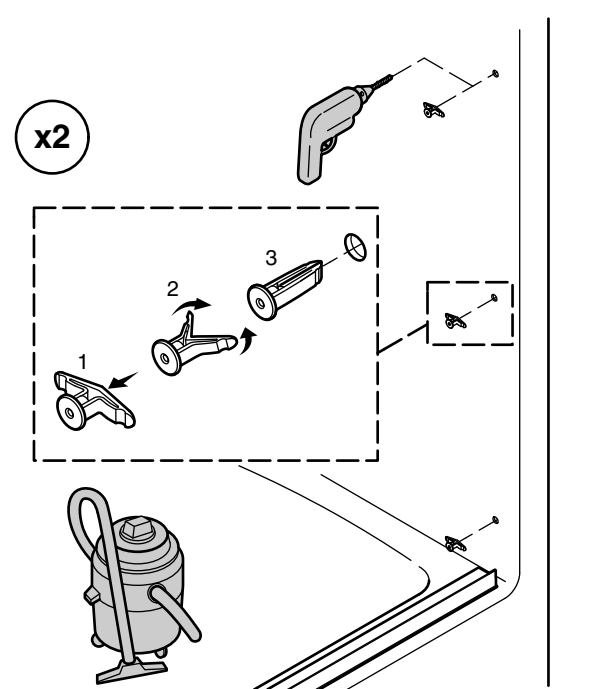
**5 Important!** The bottom track and wall jamb must sit flat against the shower ledge and the wall. If needed, trim and file the wall jamb. Use a coin to match and to transfer the corner radius of the shower to the wall jamb.



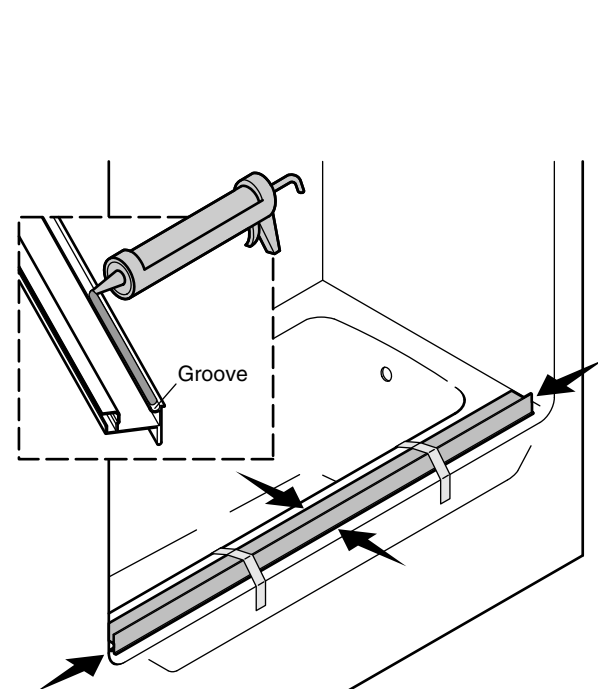
**6** Position the wall jamba over the bottom track. Plumb both wall jamba. Mark the screw holes.



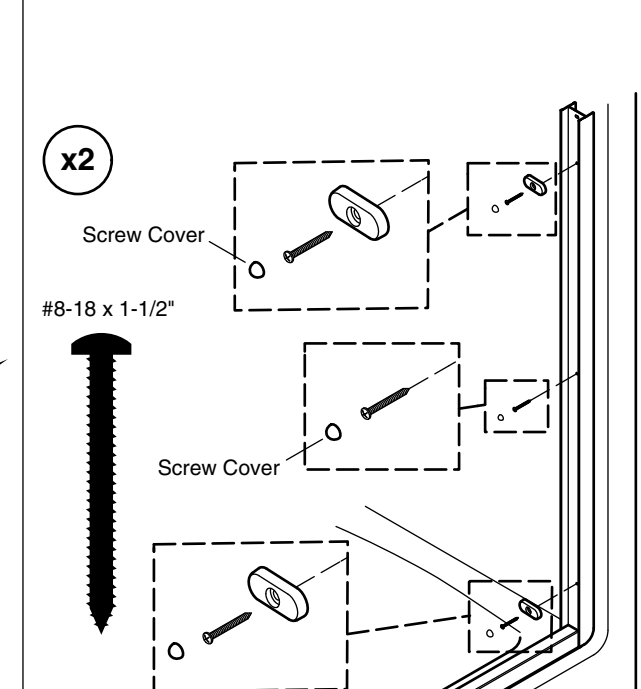
**7** Remove the wall jamba. Drill 5/16" holes into the walls and insert the anchors.



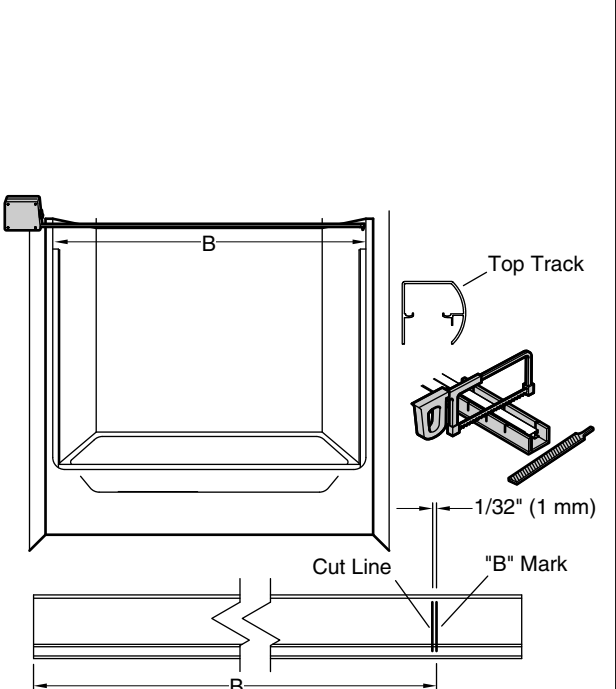
**8** Apply silicone sealant in the groove on the underside of the bottom track. Secure the bottom track to the ledge along the marked location.



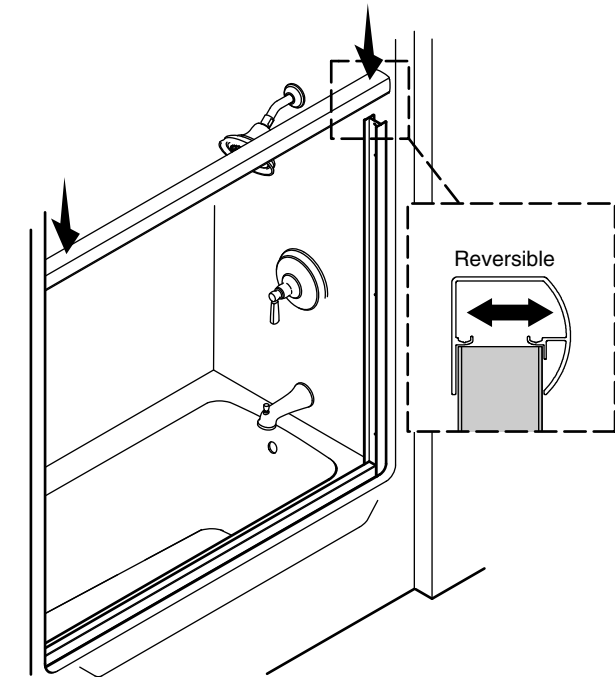
**9** Reposition both wall jamba. Secure the wall jamba with screws. Attach a bumper at the top and bottom locations.



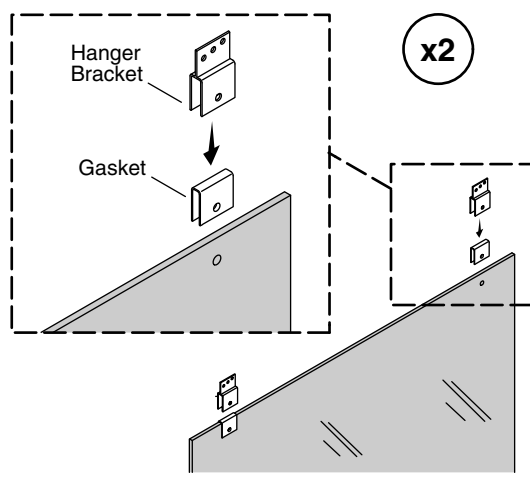
**10** Measure distance "B" above the wall jamba. Subtract 1/32" (1 mm) or the width of a saw blade from "B." Mark and cut the top track.



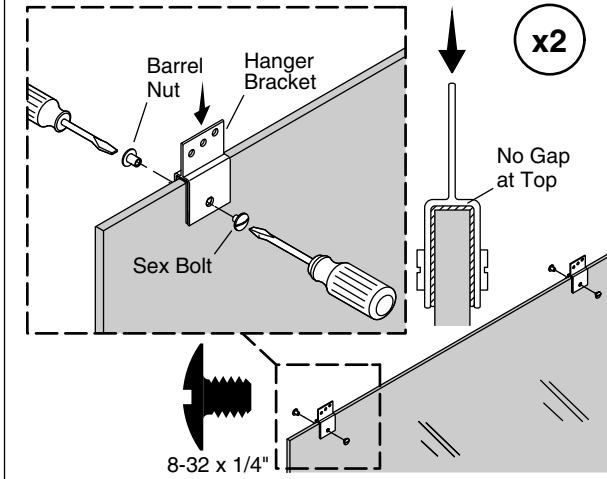
**11** Position the top track over the wall jambs. Either side of the top track may face out.



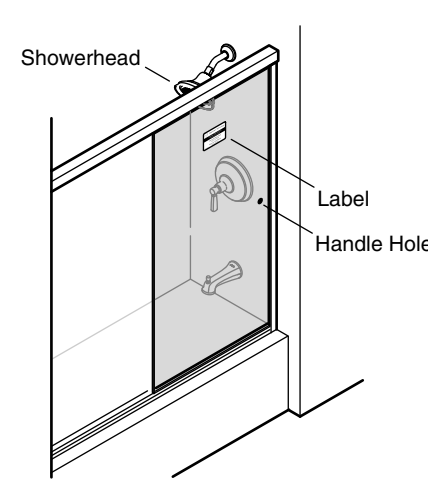
**12** For both doors, slide a gasket over the top of the glass panel and into each mounting hole. Press the hanger bracket over the gasket and align the hanger brackets with the mounting holes.



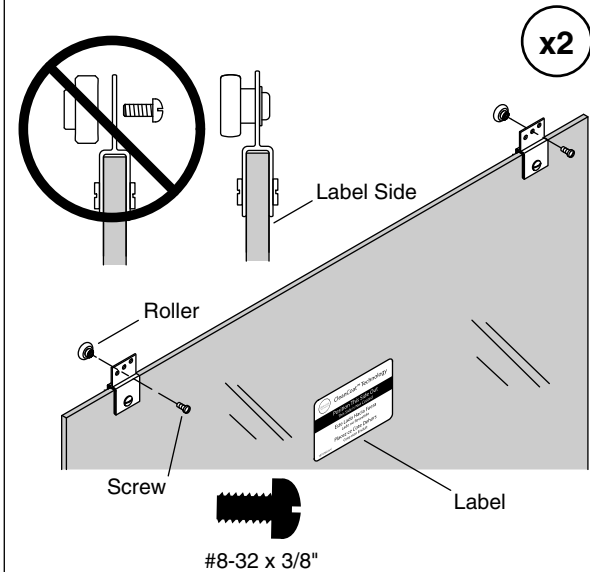
**13** While pressing downward on the hanger brackets, use screwdrivers to thread the sex bolt into the barrel nut. Tighten until the hanger brackets are secured firmly in place.



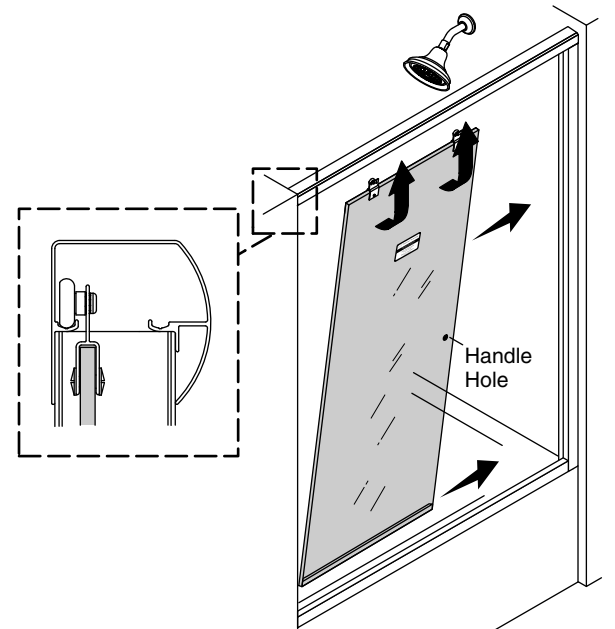
**14** Before proceeding, identify which door panel will install on the inside track. The inside panel will be the door panel closest to the showerhead. When the inside panel is in position, the label will be on the outside of the shower and the handle hole will be next to the wall jamb.



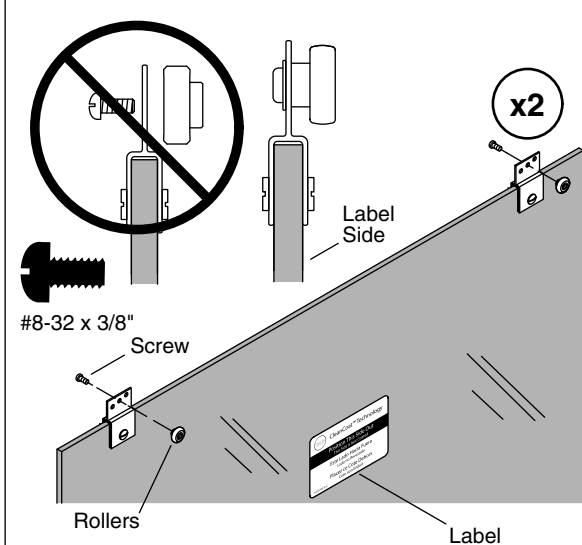
**15** On the inside panel, assemble a roller to the middle hole of each hanger bracket. Install the rollers on the side of the door panel that is opposite the label.



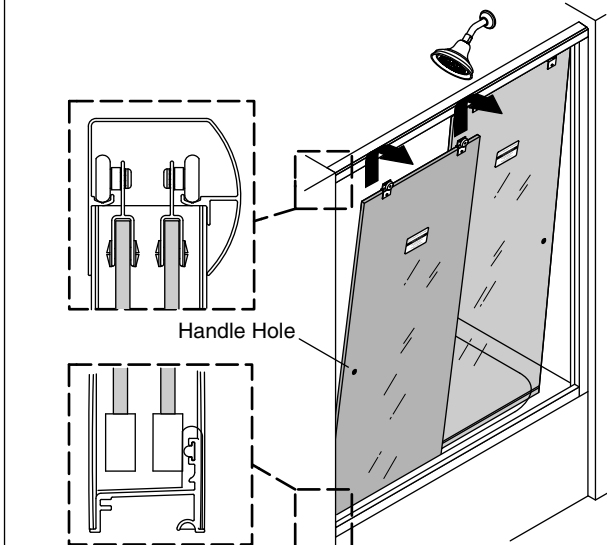
**16** Lift the inside panel onto the inside track. The label faces the outside of the shower.



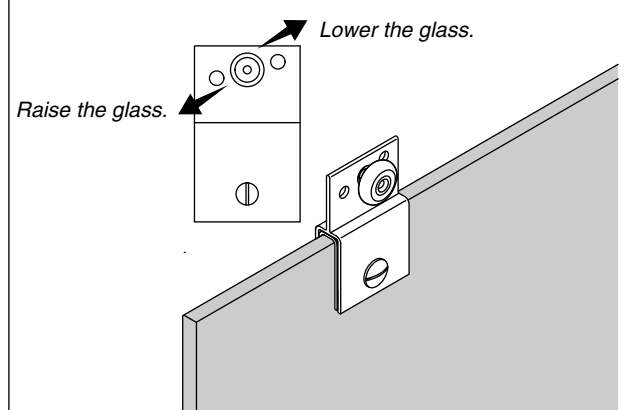
**17** On the outside panel, assemble a roller to the middle hole of each hanger bracket. Install the rollers on the same side of the door panel as the label.



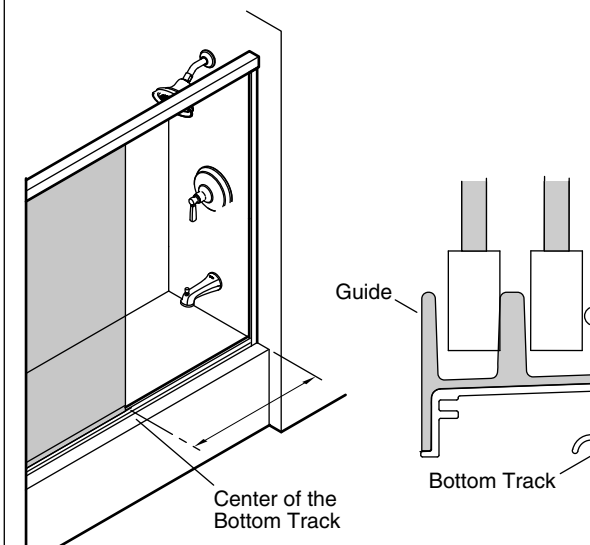
**18** Lift the outside panel onto the outside track. The label faces the outside of the shower.



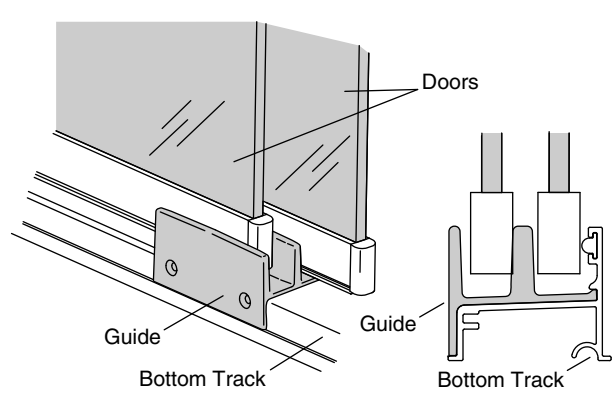
**19** If either panel needs adjustment, remove the door and position the rollers in new holes to raise or lower the glass.



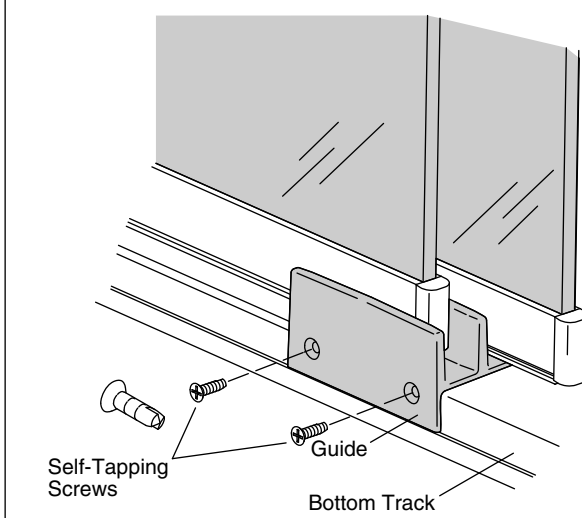
**20** Measure and mark the center of the bottom track. Center the guide on the bottom track and align the door panels with the guide.



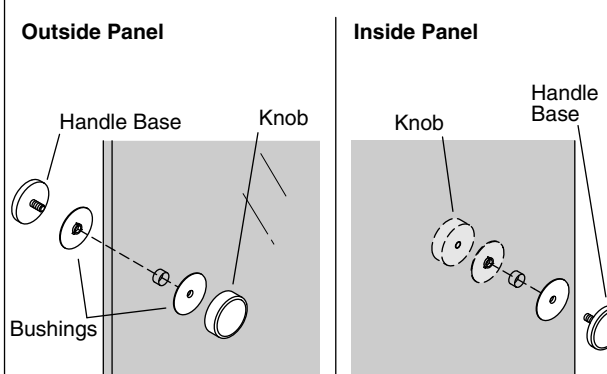
**21** On the inside of the shower, hold the guide against the bottom track and slide the doors from wall to wall. If the doors bind, refer to step 19 for the adjustment procedure.



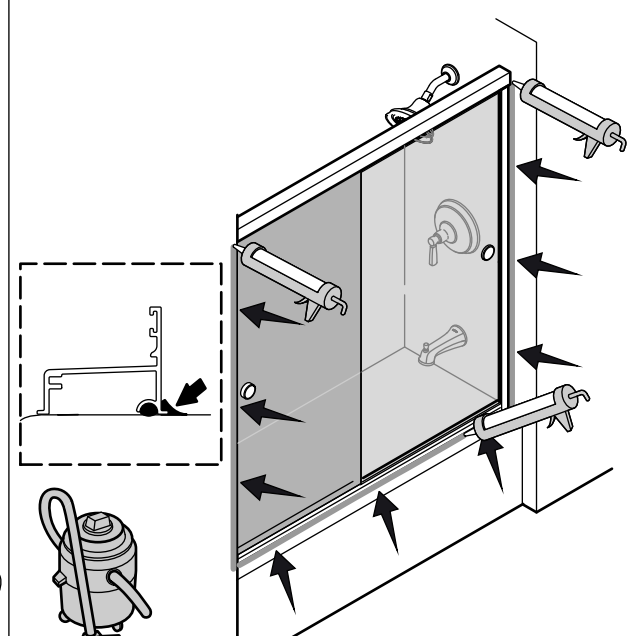
**22** Hold the guide in place and secure with the two self-tapping screws. **Do not overtighten!**



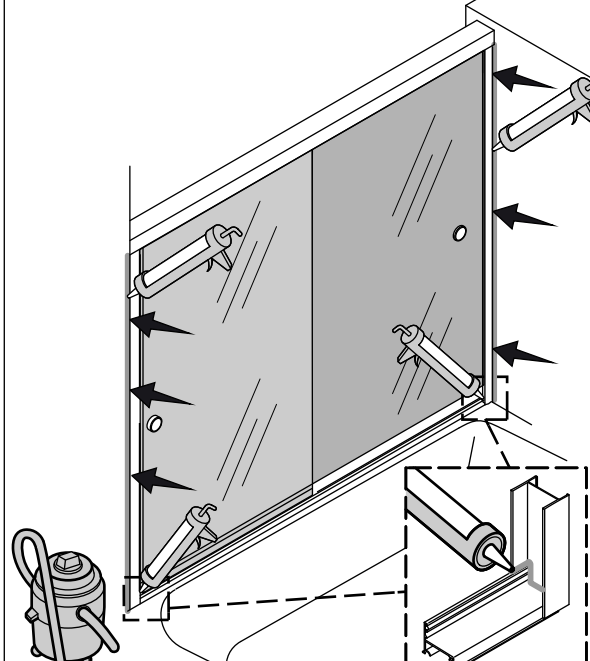
**23** Insert the bushings and handle bases into the door panel holes. Thread the knobs onto the handle bases. On the outside panel, the knob installs on the outside of the shower. On the inside panel, the knob installs on the inside of the shower.



**24** Outside the shower, use silicone sealant to seal along the entire length of the wall jambs and the bottom track.



**25** Inside the shower, use silicone sealant to seal along the entire length of the wall jambs and where the wall jambs meet the bottom track.



#### TROUBLESHOOTING

Symptom: Alignment	Recommended Action
1. The top of the door panel is tilted away from the wall.	A. Remove the door panel from the top track and lower the roller that is closest to the wall. See step 19.
2. The bottom of the door panel is tilted away from the wall.	A. Remove the door panel from the top track and raise the roller that is closest to the wall. See step 19.
3. The door panel does not touch the bumper.	A. Determine whether the door panel top or bottom is closer to the wall, and then adjust the roller closest to the wall.
4. The bottom track is miscut or skewed.	A. The notched wall jamb fits over the bottom track to cover any miscut or skewed cuts. Seal as directed to ensure proper watertight seal. See step 25.
Symptom: Water Leaks	Recommended Action
1. Water leaks between panels.	A. When showering, make sure the inside panel is against the showerhead wall.
2. Water leaks between the wall jamb and the door panel.	A. Adjust the door panel to line up with the wall jamb.
3. Water leaks under the bottom track.	A. Check for proper silicone sealant application. See steps 24 and 25. Apply more silicone sealant in the leak location.
Symptom: Operation (open/close)	Recommended Action
1. The outside panel is difficult to move.	A. Ensure a gap exists between the bottom track and the door panel. If no gap exists, lower the rollers to the next hole. B. Ensure the inside center guide is properly secured with the self-tapping screws. See step 22. C. Ensure the rollers are properly installed. See steps 17 and 18. D. Clean any debris in the top track groove.
2. The inside panel is difficult to move.	A. Ensure a gap exists between the bottom track and the door panel. If no gap exists, lower the rollers to the next hole. B. Ensure the inside center guide is properly secured with the self-tapping screws. See step 22. C. Ensure the rollers are properly installed. See steps 15 and 16. D. Clean any debris in the top track groove.

#### WARRANTY

**5 YEARS LIMITED**  
SP2375, 5100 Series, 5300 Series, 5400 Series, 6300 Series, 6500 Series

**3 YEARS LIMITED**  
1500 Series, 1900 Series, 2200 Series, 5900 Series

**1 YEAR LIMITED**  
500 Series, 600 Series, 660 Series, 670 Series, 690 Series, 950 Series, 2300 Series, 3100 Series

Based on the classification specified above, STERLING bath and shower doors are warranted to be free of manufacturing defects within the time of the specified model's limited warranty from date of sale.

Kohler Co. will, at its election, repair, rectify or replace a fixture when inspection by Kohler Co. discloses any such defects occurring in normal usage within the time period of coverage stated above. Kohler Co. is not responsible for removal or installation costs where replacement is indicated. Damages due to improper handling, installation or maintenance are not considered manufacturing defects and are not covered by this warranty. This warranty is valid for the original, consumer purchaser only.

To obtain warranty service, contact Sterling, either through your plumbing contractor, home center, wholesaler or dealer, or by calling or writing Sterling, Consumer Services, 444 Highland Drive, Kohler, Wisconsin 53044, 1-800-783-7546.

**TO THE EXTENT PERMITTED BY LAW, ALL IMPLIED WARRANTIES INCLUDING THOSE OF MERCHANTABILITY AND FITNESS FOR A PARTICULAR PURPOSE ARE HEREBY DISCLAIMED. KOHLER CO. AND SELLER HEREBY DISCLAIM ANY LIABILITY FOR SPECIAL, INCIDENTAL, OR CONSEQUENTIAL DAMAGES.** Some states/provinces do not allow limitations on how long an implied warranty lasts, or the exclusion or limitation of special, incidental or consequential damages, so these limitations and exclusions may not apply to you. This warranty gives you specific legal rights. You may have other rights which vary from state/province to state/province.

**This is the exclusive written warranty for Kohler Co.**